

2019 PARTS CATALOG



TOHATSU

Feel the Wind™

BFT 200D
BFT 225D
BFT 250D
Models

OB NO.002-14ZVJ-OAK 1812 US



TOHATSU CORPORATION

Instruction for use of parts catalogue

- **This parts catalogue was prepared based on the latest information available as of December 1, 2018.**
- See the Service Bulletin for any revision that is made after December 1, 2018.
- **Always specify the part number when ordering a part.**
 - Check the model, type, serial numbers, color, maker, and the size as needed before ordering a part.
 - Note that the illustrations (part drawings) can differ from the actual parts in shape.
Illustrations are given just to help you to refer to the parts.
- **When modifications or additions to this parts catalogue are made, a revised edition will be issued at an appropriate time, with successively progressing revision numbers on the cover. We recommend obtaining such revisions in order to keep your parts catalogue up-to-date at all times.**

Initial version issue date December 1, 2018

CONTENTS

E-1	CYLINDER HEAD COVER	1
E-3	CYLINDER BLOCK	3
E-3-10	CRANKCASE	7
E-4	EXHAUST MANIFOLD/THERMOSTAT	9
E-5	OIL PUMP/FLYWHEEL	11
E-6	OIL PAN	13
E-6-10	MOUNT CASE	15
E-7	CRANKSHAFT/PISTON	19
E-9	CYLINDER HEAD	23
E-9-10	CAMSHAFT/ROCKER ARM	25
E-13	TIMING BELT	27
E-13-10	TIMING BELT COVER	31
E-14	FUEL PIPE/INJECTOR	33
E-14-10	INTAKE MANIFOLD	37
E-15	THROTTLE BODY	39
E-18	VAPOR SEPARATOR ASSY	41
E-18-1	FUEL STRAINER	45
E-18-10	PIPING	47
E-19	A.C. GENERATOR	51
E-20	SPARK PLUG	53
E-20-10	ELECTRONIC CONTROL UNIT	55
E-21	STARTER MOTOR	57
F-2	SHIFT SHAFT	59
F-3	GEAR CASE	63
F-3-10	GEAR CASE ASSY	65
F-3-20	EXTENSION CASE	67
F-3-30	UNDER COVER	71
F-4	WATER PUMP/VERTICAL SHAFT	73
F-5	PROPELLER SHAFT	77
F-5-1	PROPELLER SHAFT (COUNTER ROTATION)	81
F-6	FUEL TUBE	85
F-7	WIRE HARNESS	87
F-7-10	STARTER CABLE	89
F-7-20	FUSE BOX/RELAY	91
F-8	ENGINE COVER	93
F-10	STERN BRACKET/SWIVEL CASE	95
F-11	POWER TRIM-TILT	101
F-12	LABEL	105
F-13	TOOL	107
FOP-2	WATER PUMP IMPELLER SET	109
FOP-3	REMOTE CONTROL (TOP MOUNT SINGLE TYPE) (RIGHT)	111
FOP-3-1	REMOTE CONTROL (FLUSH MOUNT TYPE) (RIGHT)	115
FOP-3-2	REMOTE CONTROL (TOP MOUNT DUAL TYPE) (RIGHT)	117
FOP-3-3	REMOTE CONTROL (NHK MEC)	121
FOP-4	METER	127
FOP-5	SWITCH PANEL KIT (1)	129
FOP-5-1	SWITCH PANEL KIT (2)	131
FOP-5-2	SWITCH PANEL KIT (3)	133
FOP-5-3	SWITCH PANEL KIT (4)	135
FOP-5-4	SWITCH PANEL KIT (5)	139
FOP-7	INTERFACE CABLE KIT	141
FOP-10	CABLE KIT	143
FOP-12	BOLT KIT	145
FOP-14	TRIM ADJUST PLATE SET	147
FOP-15	PROPELLER	149
FOP-17	GEAR CASE KIT	153
INDEX		155
INDEX (Parts Number)		165

How to refer to the part information

A. Reference with "Illustrated index"

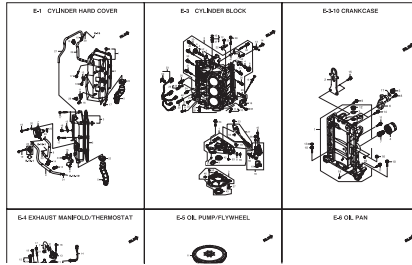


Fig. Number

Ref. Number/Part Number/Parts Name

Ref.No.	Part No.	Description	Q'ty	Remarks
E-15	1	H2YH18018-003	SCREEN SET	1
E-15	2	H2YH116H-000	GASKET, THROTTLE BODY	1
E-15	3	H2YH160D-001	THROTTLE BODY ASSY.	1
E-15	4	H2YH184D-000	SPACER, THROTTLE BODY	1
E-15	5	H2YH1845-000	GASKET, EAC VALVE	1
E-15	7	H2YH15840-000	SPRING, AIR FLOW TUBE	1
E-15	8	H2YH1701-000	BAND, AIR FLOW	1
E-15	9	H2YH1701-000	CROWMET, SILENCER	1
E-15	10	H2YH17810-013	CABLE COMP, THROTTLE	2
E-15	14	H2H1-0095-000	SENSOR ASSY, AIR TEMP	1
E-15	17	H2YH18020-003	VALVE ASSY, EAC	1
E-15	18	H2YH1802-000	CROWMET, UNDER CASE	4
E-15	19	H2H1-0001-000	BOLT-WASHER, EX25	2
E-15	20	H2YH18011-000	BOLT-WASHER, EX30	1
E-15	21	H2YH18020-000	BOLT, FLANGE, EX22	2
E-15	22	H2YH18020-000	BOLT, FLANGE, EX30	2
E-15	23	H2YH18020-000	BOLT, FLANGE, EX35	4
E-15	24	H2YH18020-000	WASHER, FLANK, EXM	2
E-15	25	H2YH18020-000	CHENG	1
E-15	26	H2YH18020-000	COLLAR, COLL UNIT CASE	4
E-15	28	H2H1-0001-000	DOBEL, PIN, EX10	2
E-15	29	H2YH1840-010	COVER ASSY, COOLING FAN	1

B. Reference with "Parts number index"

INDEX (Parts Number)			
102415540	1515	104408850	116295
106401130	47	104408860	116304
106409720	520	104411714	116325
106409720	913	104411716	116341
106409720	917	104411718	116351
106409720	919	104411720	116352
106409720	940	104411722	116353
106409720	942	104411724	116354
106409720	943	104411726	116355
106409720	944	104411728	116356
106409720	945	104411730	116357
106409720	946	104411732	116358
106409720	947	104411734	116359
106409720	948	104411736	116360
106409720	949	104411738	116361
106409720	950	104411740	116362
106409720	951	104411742	116363
106409720	952	104411744	116364
106409720	953	104411746	116365
106409720	954	104411748	116366
106409720	955	104411750	116367
106409720	956	104411752	116368
106409720	957	104411754	116369
106409720	958	104411756	116370
106409720	959	104411758	116371
106409720	960	104411760	116372
106409720	961	104411762	116373
106409720	962	104411764	116374
106409720	963	104411766	116375
106409720	964	104411768	116376
106409720	965	104411770	116377
106409720	966	104411772	116378
106409720	967	104411774	116379
106409720	968	104411776	116380
106409720	969	104411778	116381
106409720	970	104411780	116382
106409720	971	104411782	116383
106409720	972	104411784	116384
106409720	973	104411786	116385
106409720	974	104411788	116386
106409720	975	104411790	116387
106409720	976	104411792	116388
106409720	977	104411794	116389
106409720	978	104411796	116390
106409720	979	104411798	116391
106409720	980	104411800	116392
106409720	981	104411802	116393
106409720	982	104411804	116394
106409720	983	104411806	116395
106409720	984	104411808	116396
106409720	985	104411810	116397
106409720	986	104411812	116398
106409720	987	104411814	116399
106409720	988	104411816	116400
106409720	989	104411818	116401
106409720	990	104411820	116402
106409720	991	104411822	116403
106409720	992	104411824	116404
106409720	993	104411826	116405
106409720	994	104411828	116406
106409720	995	104411830	116407
106409720	996	104411832	116408
106409720	997	104411834	116409
106409720	998	104411836	116410
106409720	999	104411838	116411
106409720	1000	104411840	116412

C. Reference with "Parts name index"

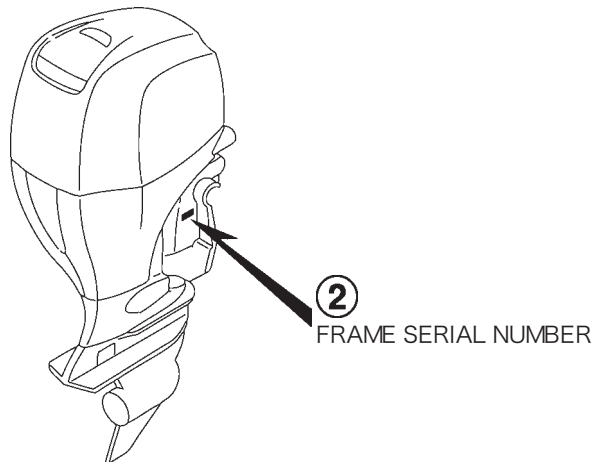
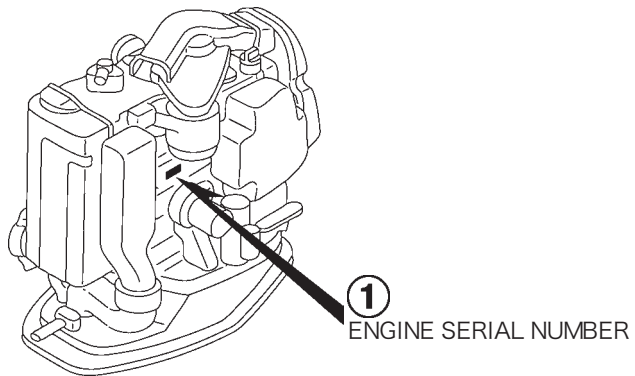
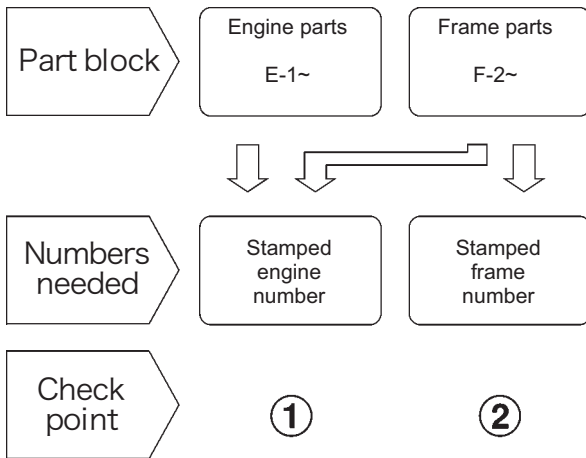
INDEX		
ADJ	ADJUST SCREW	1001
ADJ	ADJUSTING NUT	1002
ADJ	ADJUSTING SCREW	1003
ADJ	ADJUSTING SCREW	1004
ADJ	ADJUSTING SCREW	1005
ADJ	ADJUSTING SCREW	1006
ADJ	ADJUSTING SCREW	1007
ADJ	ADJUSTING SCREW	1008
ADJ	ADJUSTING SCREW	1009
ADJ	ADJUSTING SCREW	1010
ADJ	ADJUSTING SCREW	1011
ADJ	ADJUSTING SCREW	1012
ADJ	ADJUSTING SCREW	1013
ADJ	ADJUSTING SCREW	1014
ADJ	ADJUSTING SCREW	1015
ADJ	ADJUSTING SCREW	1016
ADJ	ADJUSTING SCREW	1017
ADJ	ADJUSTING SCREW	1018
ADJ	ADJUSTING SCREW	1019
ADJ	ADJUSTING SCREW	1020
ADJ	ADJUSTING SCREW	1021
ADJ	ADJUSTING SCREW	1022
ADJ	ADJUSTING SCREW	1023
ADJ	ADJUSTING SCREW	1024
ADJ	ADJUSTING SCREW	1025
ADJ	ADJUSTING SCREW	1026
ADJ	ADJUSTING SCREW	1027
ADJ	ADJUSTING SCREW	1028
ADJ	ADJUSTING SCREW	1029
ADJ	ADJUSTING SCREW	1030
ADJ	ADJUSTING SCREW	1031
ADJ	ADJUSTING SCREW	1032
ADJ	ADJUSTING SCREW	1033
ADJ	ADJUSTING SCREW	1034
ADJ	ADJUSTING SCREW	1035
ADJ	ADJUSTING SCREW	1036
ADJ	ADJUSTING SCREW	1037
ADJ	ADJUSTING SCREW	1038
ADJ	ADJUSTING SCREW	1039
ADJ	ADJUSTING SCREW	1040
ADJ	ADJUSTING SCREW	1041
ADJ	ADJUSTING SCREW	1042
ADJ	ADJUSTING SCREW	1043
ADJ	ADJUSTING SCREW	1044
ADJ	ADJUSTING SCREW	1045
ADJ	ADJUSTING SCREW	1046
ADJ	ADJUSTING SCREW	1047
ADJ	ADJUSTING SCREW	1048
ADJ	ADJUSTING SCREW	1049
ADJ	ADJUSTING SCREW	1050
ADJ	ADJUSTING SCREW	1051
ADJ	ADJUSTING SCREW	1052
ADJ	ADJUSTING SCREW	1053
ADJ	ADJUSTING SCREW	1054
ADJ	ADJUSTING SCREW	1055
ADJ	ADJUSTING SCREW	1056
ADJ	ADJUSTING SCREW	1057
ADJ	ADJUSTING SCREW	1058
ADJ	ADJUSTING SCREW	1059
ADJ	ADJUSTING SCREW	1060
ADJ	ADJUSTING SCREW	1061
ADJ	ADJUSTING SCREW	1062
ADJ	ADJUSTING SCREW	1063
ADJ	ADJUSTING SCREW	1064
ADJ	ADJUSTING SCREW	1065
ADJ	ADJUSTING SCREW	1066
ADJ	ADJUSTING SCREW	1067
ADJ	ADJUSTING SCREW	1068
ADJ	ADJUSTING SCREW	1069
ADJ	ADJUSTING SCREW	1070
ADJ	ADJUSTING SCREW	1071
ADJ	ADJUSTING SCREW	1072
ADJ	ADJUSTING SCREW	1073
ADJ	ADJUSTING SCREW	1074
ADJ	ADJUSTING SCREW	1075
ADJ	ADJUSTING SCREW	1076
ADJ	ADJUSTING SCREW	1077
ADJ	ADJUSTING SCREW	1078
ADJ	ADJUSTING SCREW	1079
ADJ	ADJUSTING SCREW	1080
ADJ	ADJUSTING SCREW	1081
ADJ	ADJUSTING SCREW	1082
ADJ	ADJUSTING SCREW	1083
ADJ	ADJUSTING SCREW	1084
ADJ	ADJUSTING SCREW	1085
ADJ	ADJUSTING SCREW	1086
ADJ	ADJUSTING SCREW	1087
ADJ	ADJUSTING SCREW	1088
ADJ	ADJUSTING SCREW	1089
ADJ	ADJUSTING SCREW	1090
ADJ	ADJUSTING SCREW	1091
ADJ	ADJUSTING SCREW	1092
ADJ	ADJUSTING SCREW	1093
ADJ	ADJUSTING SCREW	1094
ADJ	ADJUSTING SCREW	1095
ADJ	ADJUSTING SCREW	1096
ADJ	ADJUSTING SCREW	1097
ADJ	ADJUSTING SCREW	1098
ADJ	ADJUSTING SCREW	1099
ADJ	ADJUSTING SCREW	1100

Part catalogue structure

Part No.	Part No.	Description	Q'ty	Remarks
E-15	HCV1-H619-000	SCREW SET	1	
E-15	HCV1-H619-000	GASKET, THROTTLE BODY	1	
E-15	HCV1-H600-001	THROTTLE BODY ASSY.	1	
E-15	HCV1-H604-000	SPACER, THROTTLE BODY	1	
E-15	HCV1-H600-000	GASKET, EAC VALVE	1	
E-15	HPY1-H128-000	SPRING, AIR FLOW TUBE	1	
E-15	HCV1-H131-000	BAND, AIR FLOW	1	
E-15	HCV1-H131H-000	GROMMET, BLENDER	1	
E-15	HCV1-H191-010	CABLE COMPL. THROTTLE	2	
E-15	HCV1-H600-003	SENSOR ASSY., AIR TEMP	1	
E-15	HCV1-H600-003	VALVE ASSY., EAC	1	
E-15	HCV1-H602-000	GROMMET, UNDER CASE	4	
E-15	HCV1-H601-000	BOLT-WASHER, BX25	2	
E-15	HCV1-H601-000	BOLT-WASHER, BX30	1	
E-15	HCV1-H603-000	BOLT, FLANGE, BX32	2	
E-15	HCV1-H603H-000	BOLT, FLANGE, BX40	2	
E-15	HCV1-H603-000	BOLT, FLANGE, BX35	4	
E-15	HCV1-H603-000	WASHER, PLAN, 6MM	2	
E-15	HR04-H1303-002	O-RING	1	
E-15	HCV1-H191-010	COLLAR, COLLUMET CASE	4	
E-15	HCV1-H601-000	DOWEL PIN, BX10	2	
E-15	HCV1-H601-010	COVER ASSY., COOLING FAN	1	

- ① Fig. Number
- ② Fig. Title
- ③ Ref. Number
- ④ Parts Number
- ⑤ Parts Name
- ⑥ Q.ty
- ⑦ Remarks
- ⑧ Different specification
- ⑨ Direction Arrow
- ⑩ Parts enclosed within a dotted line are sub assembly parts.
- ⑪ A solid arrow indicates the block No. the part in question is connected to.

How to check the part block and serial numbers



Models, parts catalogue codes and applicable serial numbers

- Models, parts catalogue codes and applicable serial Nos. given in this parts catalogue can be identified as follows.

Model	Type	Parts catalogue type	Engine		Applicable engine serial No.	Applicable frame serial No.
			Model	Type		
BFT200D	LRA	LRA	BF200D	SE3	BEBRJ-1000001~	BBRJ-6000001~
	XCRA	XCRA				BBRJ-7000001~
	XRA	XRA				BBRJ-6000001~
BFT225D	LRA	LRA	BF225D		BEBPJ-1000001~	BBPJ-6000001~
	XCRA	XCRA				BBPJ-7000001~
	XRA	XRA				BBPJ-6000001~
BFT250D	LRA	LRA	BF250D		BEBNJ-1000001~	BBNJ-6000001~
	UCRA	UCRA				BBNJ-7000001~
	URA	URA				BBNJ-6000001~
	XCRA	XCRA		BBNJ-7000001~		
	XRA	XRA		BBNJ-6000001~		

Features of each type

- See the following table for the features of each type. (Items in brackets are optional)

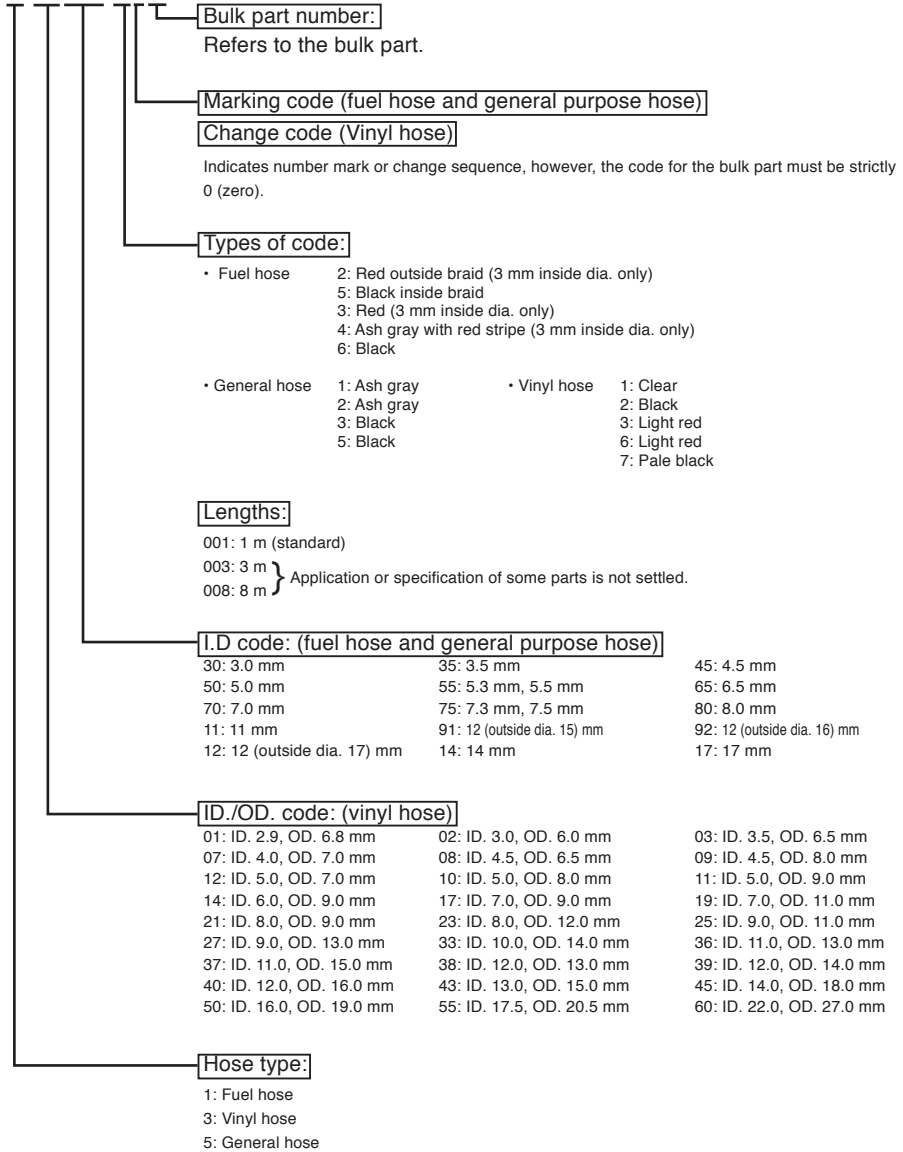
Model		BFT200D			BFT225D			BFT250D					
		LRA	XCRA	XRA	LRA	XCRA	XRA	LRA	UCRA	URA	XCRA	XRA	
Specifications	Type	508 mm	●			●			●				
		635 mm		●	●		●	●				●	●
		762 mm								●	●		
Counter rotation			●			●			●		●		

Fuel hose, general purpose hoses and vinyl hose

- The standard part fuel hose, general purpose hose and vinyl hose may be substituted by the coiled bulk part.
- When ordering the standard part fuel hose, general purpose hose and vinyl hose use the bulk part number written in the parts catalog in brackets () underneath the part name.
- When exchanging the hose, cut and use at the specified length as mentioned in the part name. (For the method of cutting the bulk part, and method of filling out orders etc., please refer to the instructions issued with the bulk part.)

Bulk part number of fuel hose, general purpose hose and vinyl hose.

Example: 95001-75001-50M

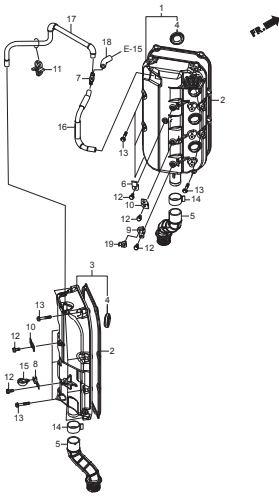


CAUTION: It is DANGEROUS to confuse the fuel hose with the general purpose hose or vinyl hose.

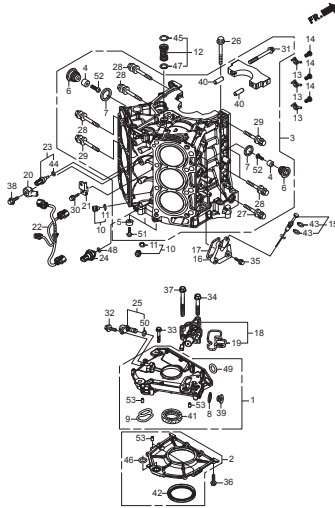
Never use a general purpose hose or vinyl hose in place of a fuel hose or vice versa.

Always use the correct bulk part in the parts catalogue, according to the service manual or the instructions issued with the bulk part.

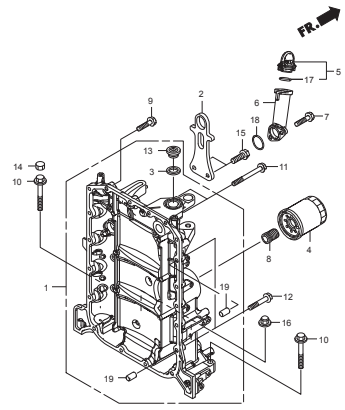
E-1 CYLINDER HEAD COVER



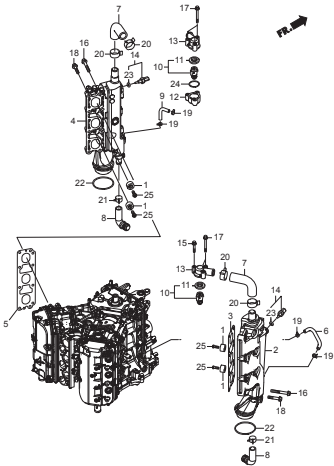
E-3 CYLINDER BLOCK



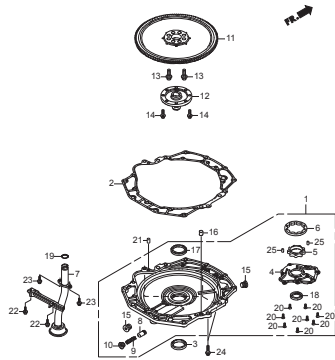
E-3-10 CRANKCASE



E-4 EXHAUST MANIFOLD/THERMOSTAT



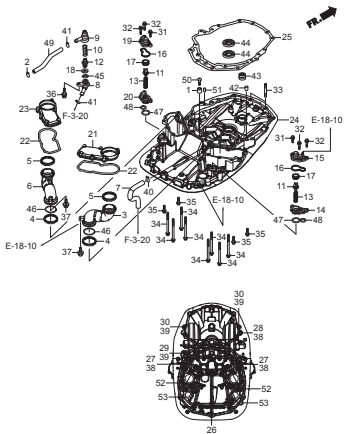
E-5 OIL PUMP/FLYWHEEL



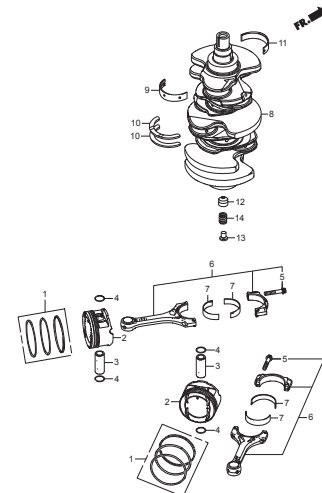
E-6 OIL PAN



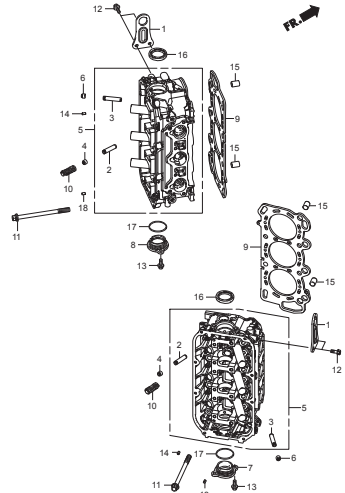
E-6-10 MOUNT CASE



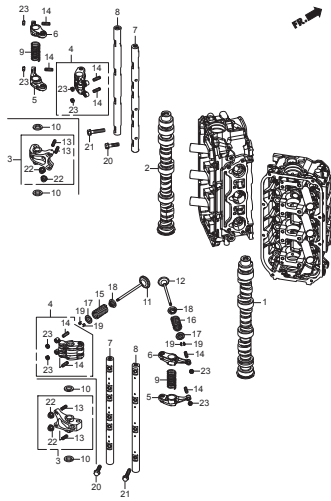
E-7 CRANKSHAFT/PISTON



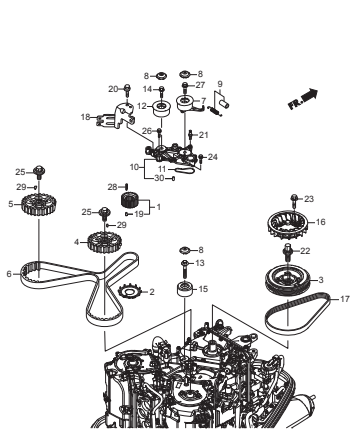
E-9 CYLINDER HEAD



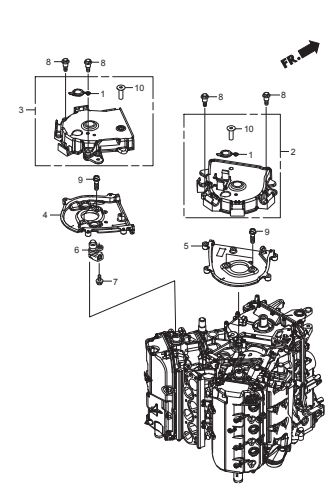
E-9-10 CAMSHAFT/ROCKER ARM



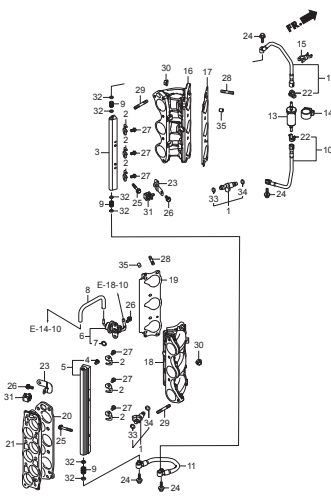
E-13 TIMING BELT



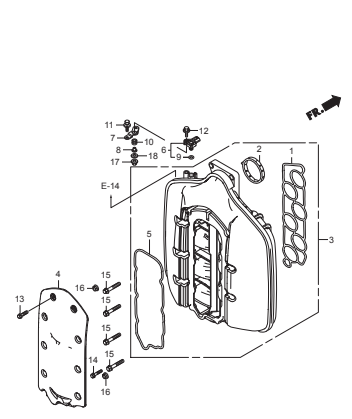
E-13-10 TIMING BELT COVER



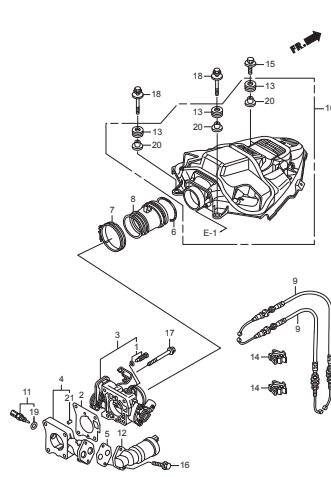
E-14 FUEL PIPE/INJECTOR



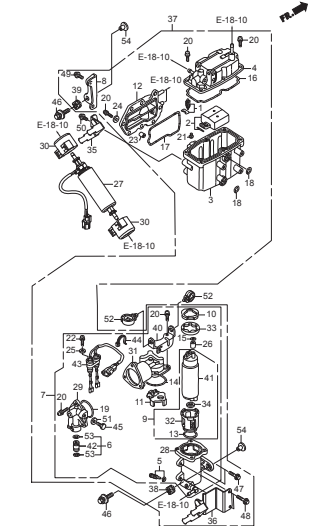
E-14-10 INTAKE MANIFOLD



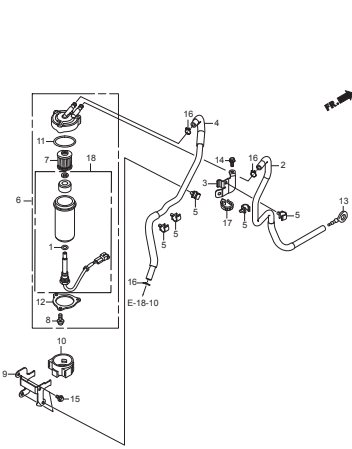
E-15 THROTTLE BODY



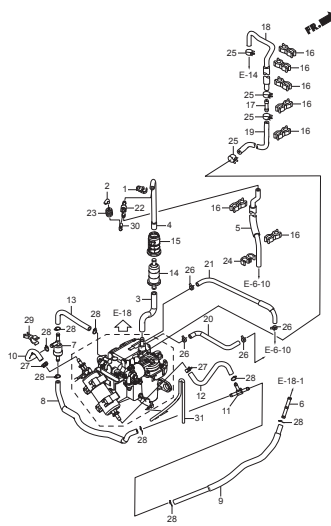
E-18 VAPOR SEPARATOR ASSY



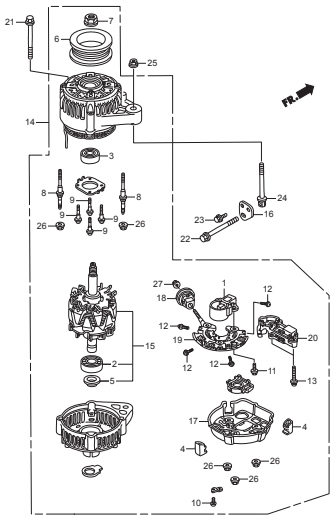
E-18-1 FUEL STRAINER



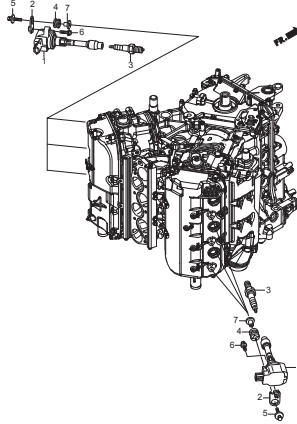
E-18-10 PIPING



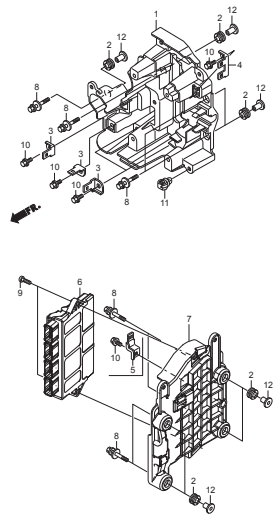
E-19 A.C.GENERATOR



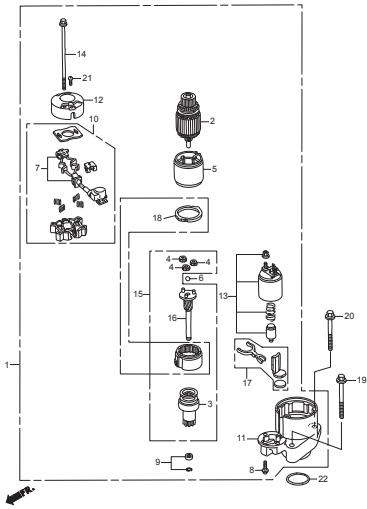
E-20 SPARK PLUG



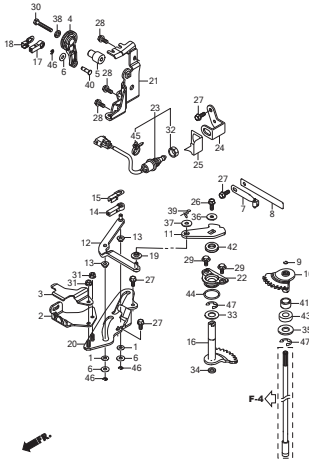
E-20-10 ELECTRONIC CONTROL UNIT



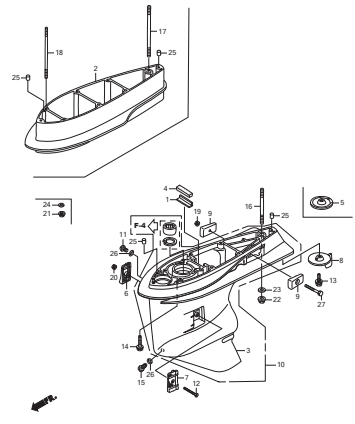
E-21 STARTER MOTOR



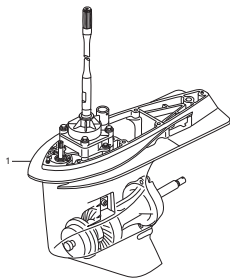
F-2 SHIFT SHAFT



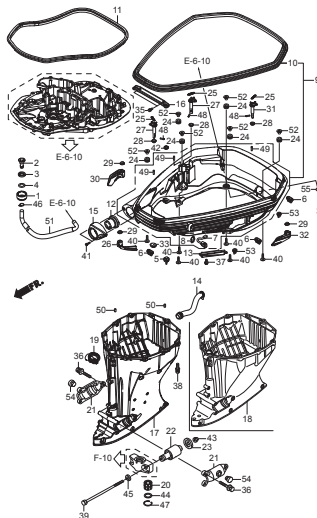
F-3 GEAR CASE



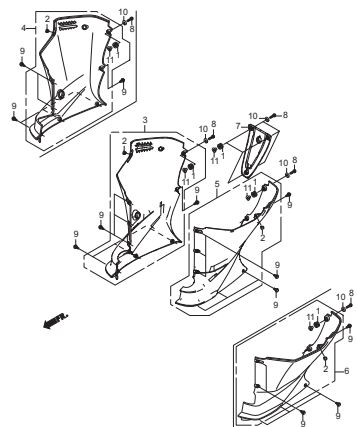
F-3-10 GEAR CASE ASSY



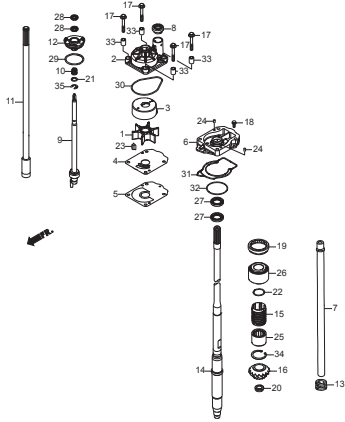
F-3-20 EXTENSION CASE



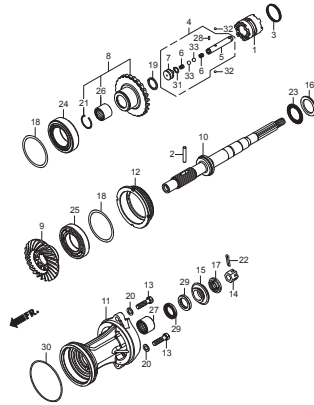
F-3-30 UNDER COVER



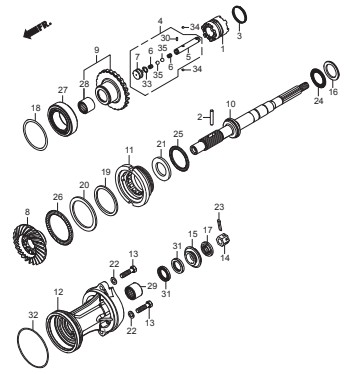
F-4 WATER PUMP/VERTICAL SHAFT



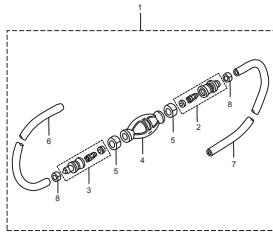
F-5 PROPELLER SHAFT



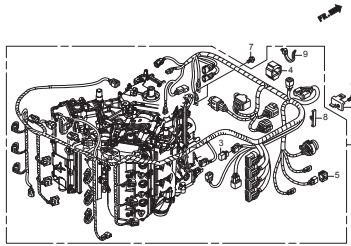
F-5-1 PROPELLER SHAFT (COUNTER ROTATION)



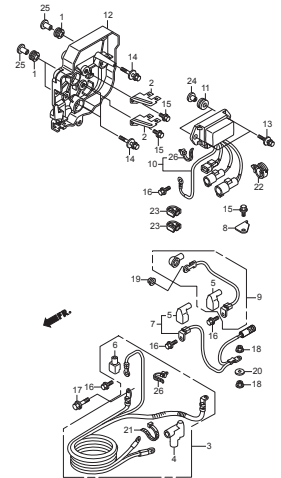
F-6 FUEL TUBE



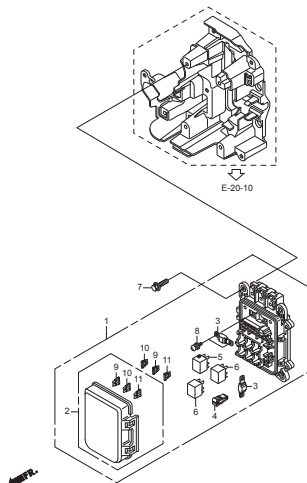
F-7 WIRE HARNESS



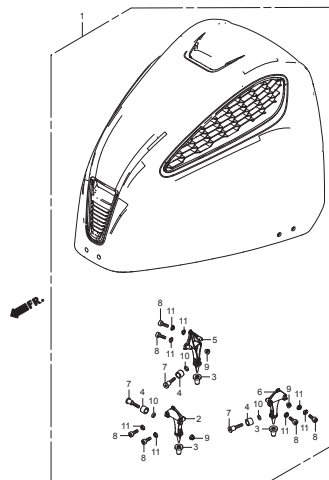
F-7-10 STARTER CABLE



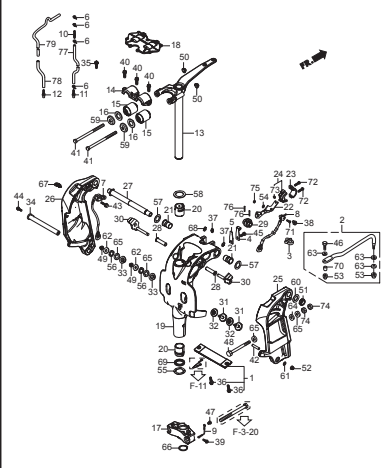
F-7-20 FUSE BOX/RELAY



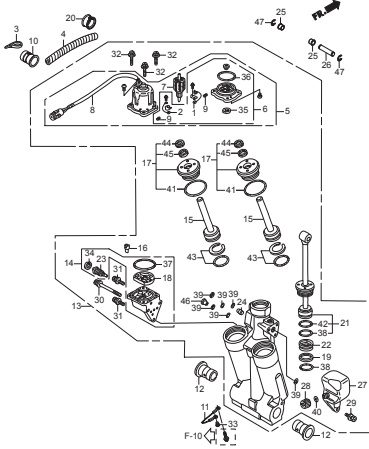
F-8 ENGINE COVER



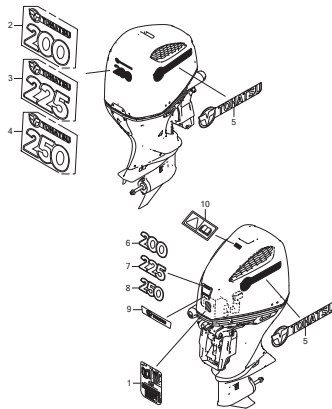
F-10 STERN BRACKET/SWIVEL CASE



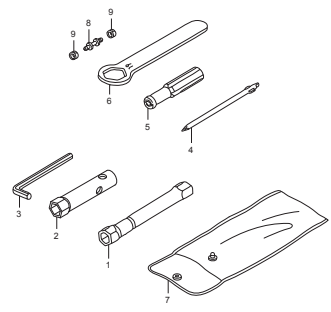
F-11 POWER TRIM-TILT



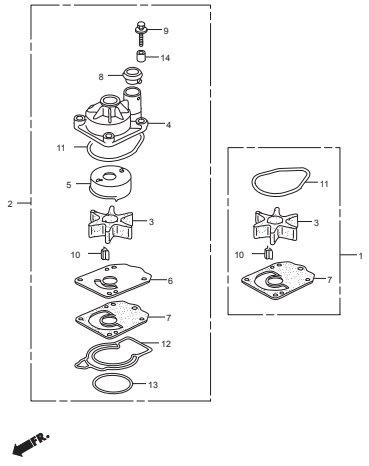
F-12 LABEL



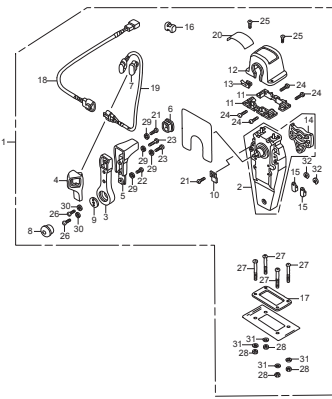
F-13 TOOL



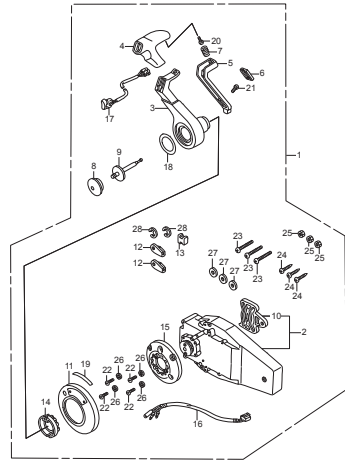
FOP-2 WATER PUMP IMPELLER SET



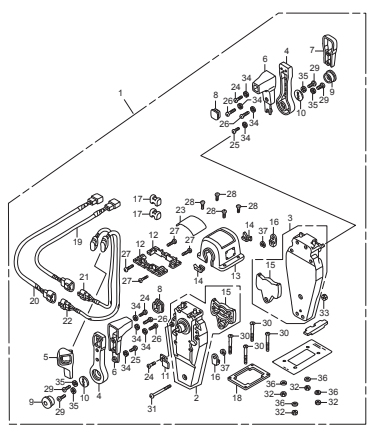
FOP-3 REMOTE CONTROL (TOP MOUNT SINGLE TYPE) (RIGHT)



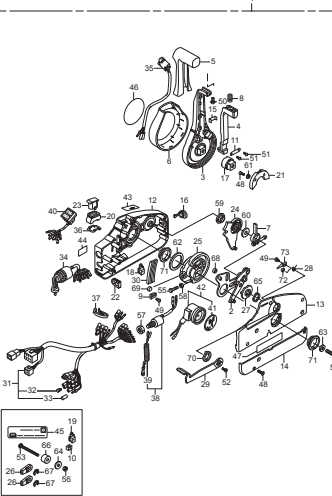
FOP-3-1 REMOTE CONTROL (FLUSH MOUNT TYPE) (RIGHT)



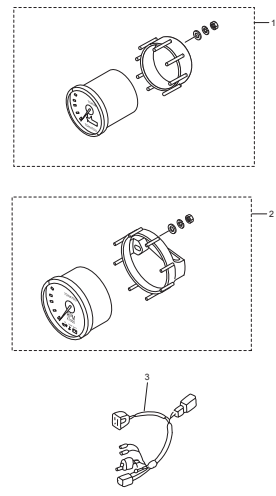
FOP-3-2 REMOTE CONTROL (TOP MOUNT DUAL TYPE) (RIGHT)



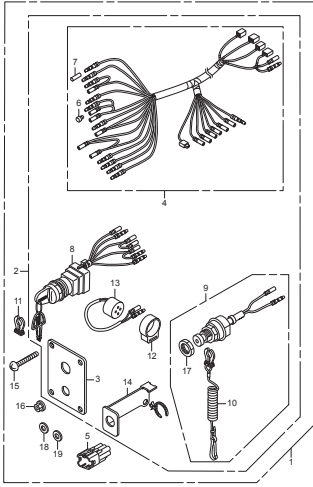
FOP-3-3 REMOTE CONTROL (NHK MEC)



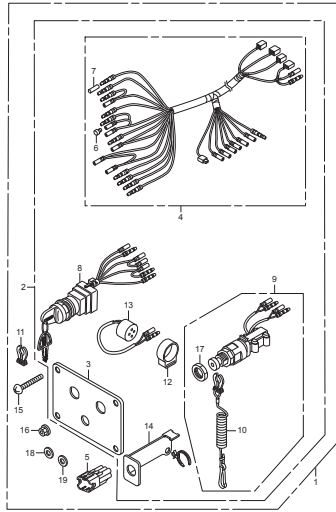
FOP-4 METER



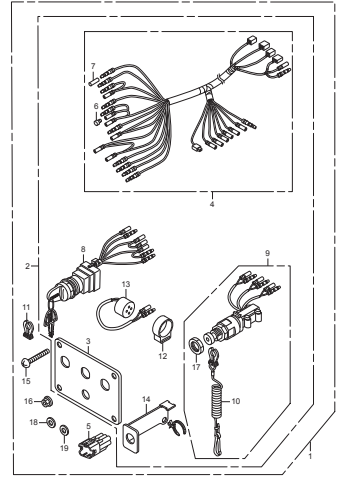
FOP-5 SWITCH PANEL KIT (1)



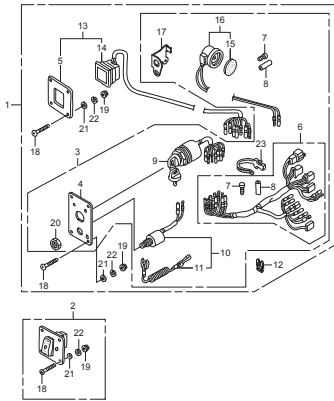
FOP-5-1 SWITCH PANEL KIT (2)



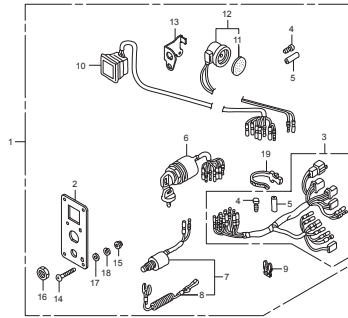
FOP-5-2 SWITCH PANEL KIT (3)



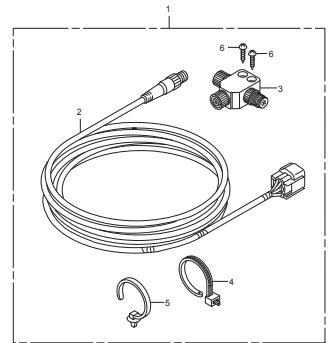
FOP-5-3 SWITCH PANEL KIT (4)



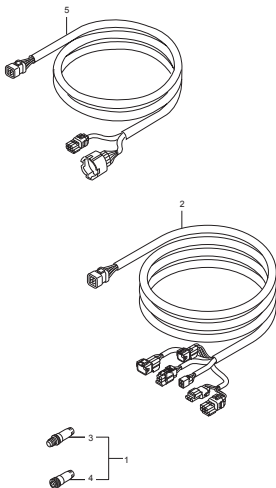
FOP-5-4 SWITCH PANEL KIT (5)



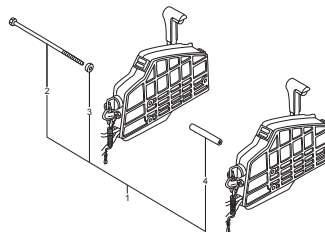
FOP-7 INTERFACE CABLE KIT



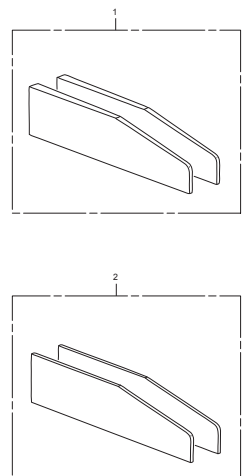
FOP-10 CABLE KIT



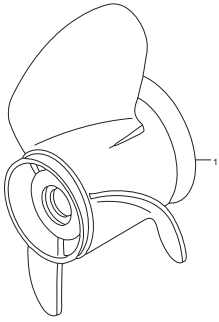
FOP-12 BOLT KIT



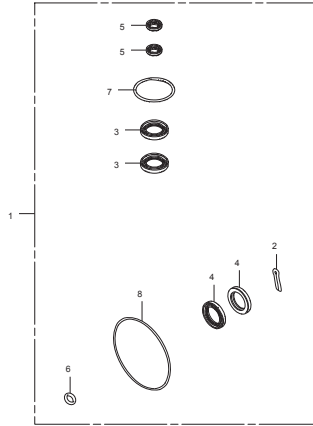
FOP-14 TRIM ADJUST PLATE SET

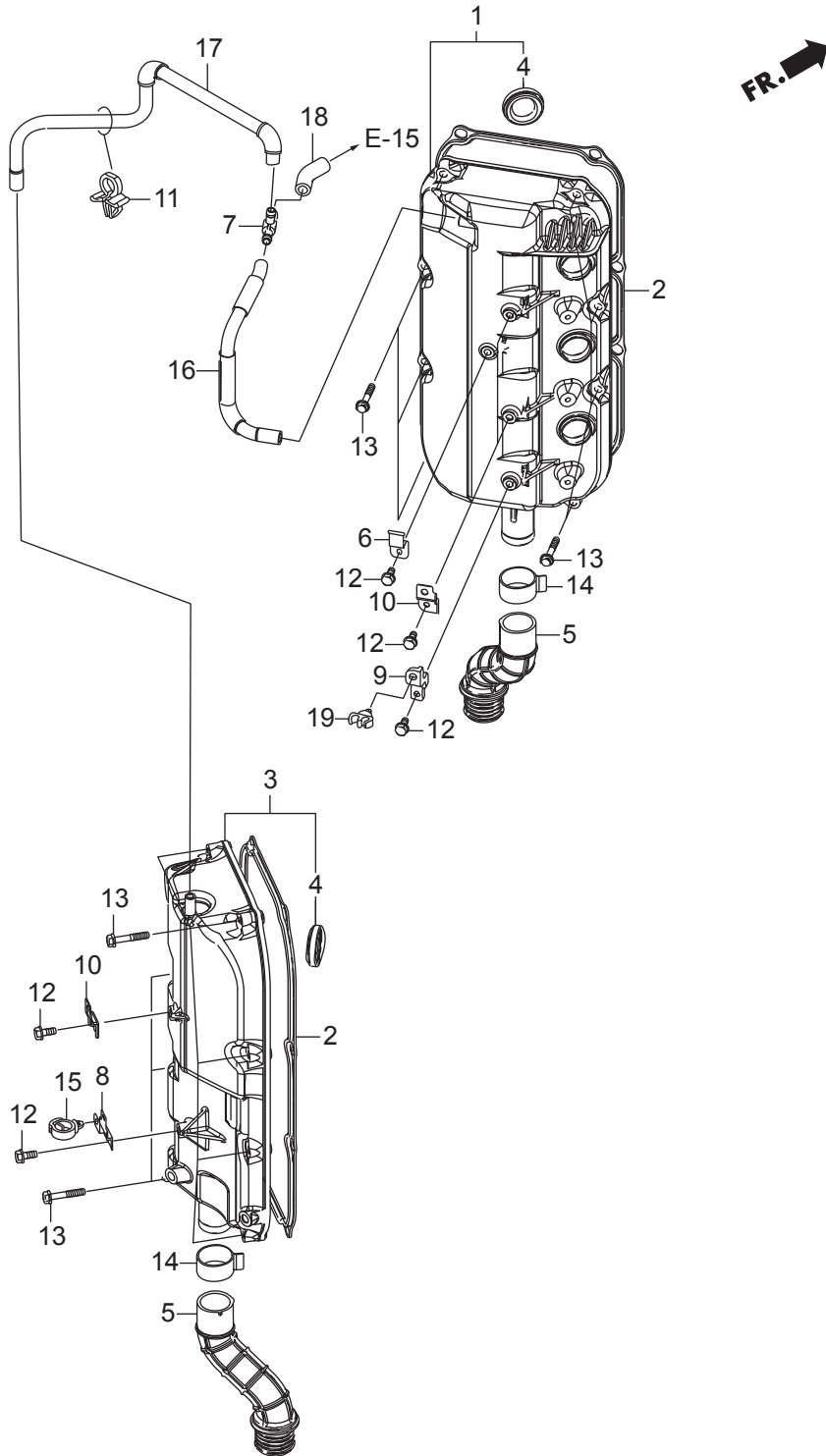


FOP-15 PROPELLER

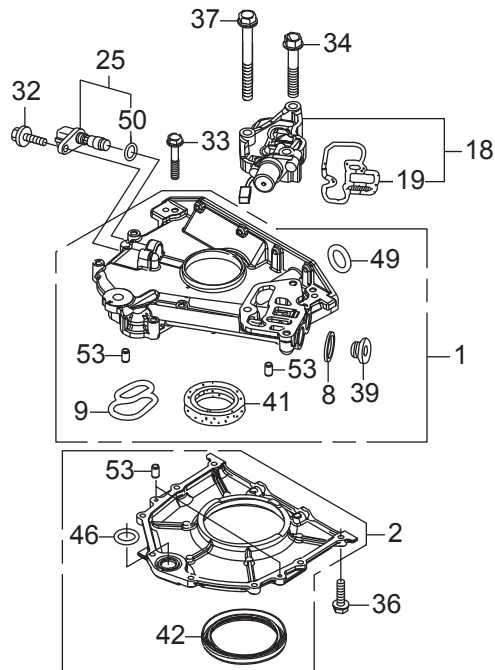
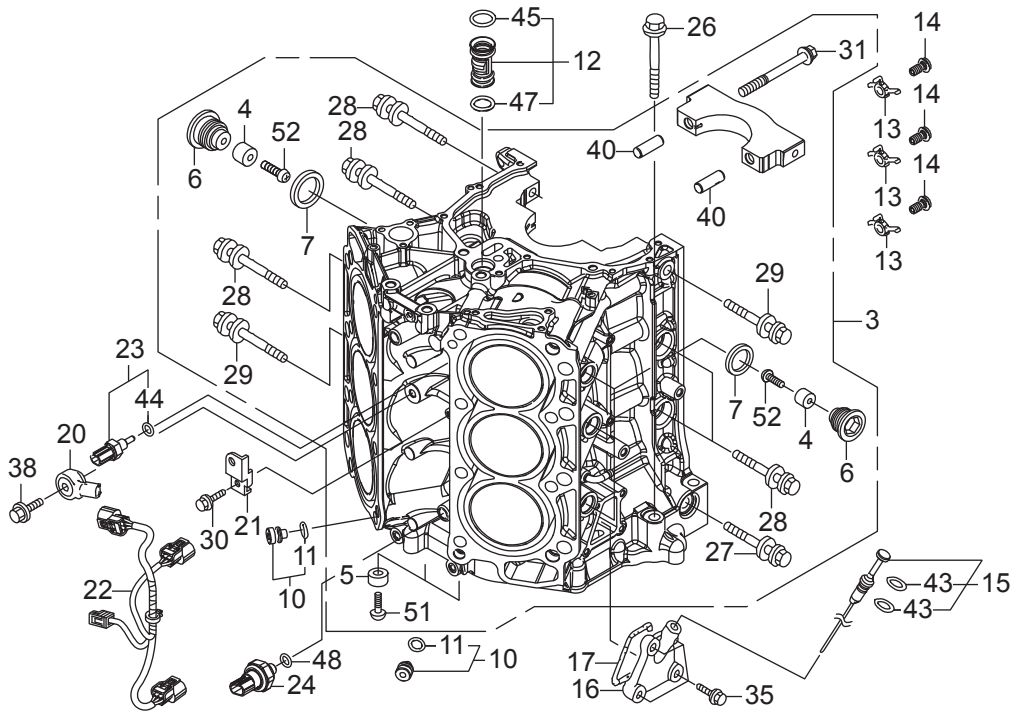


FOP-17 GEAR CASE KIT



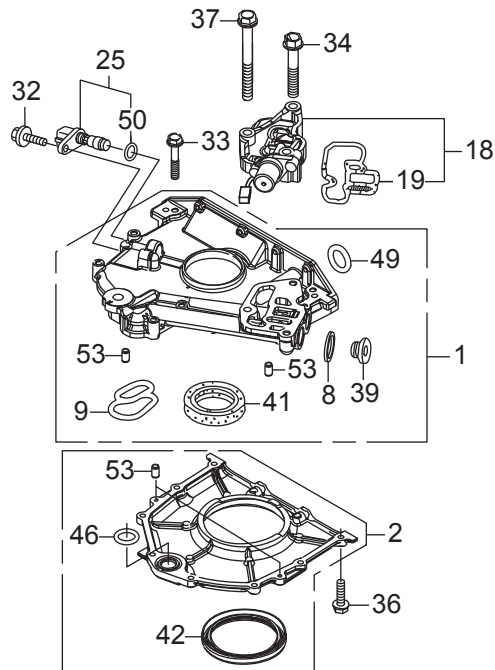
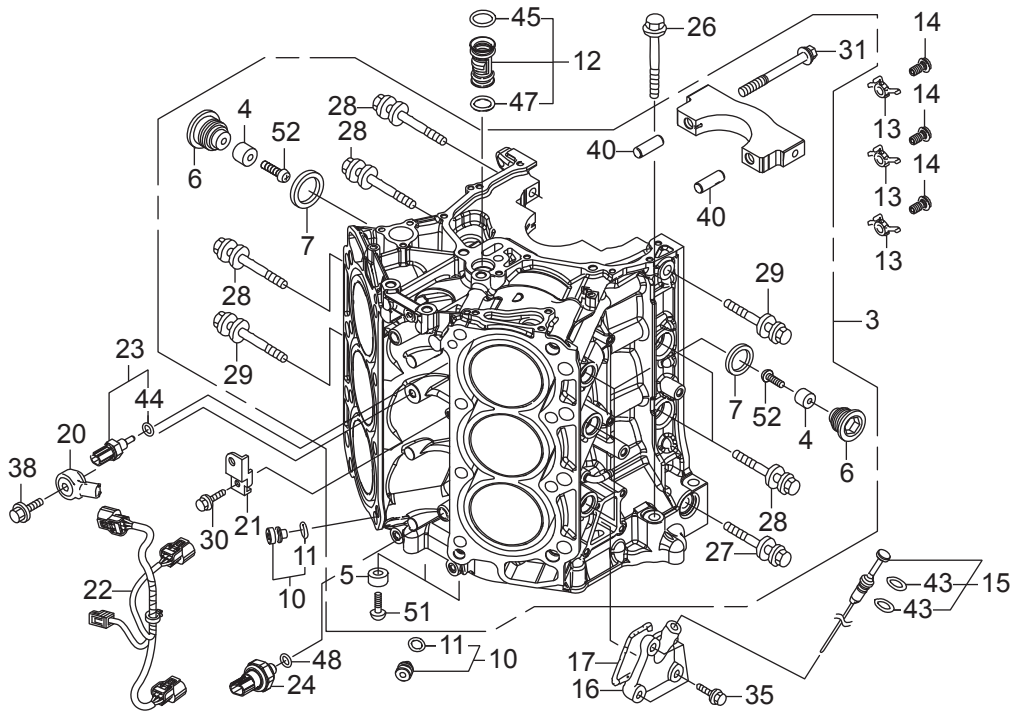


FR. →



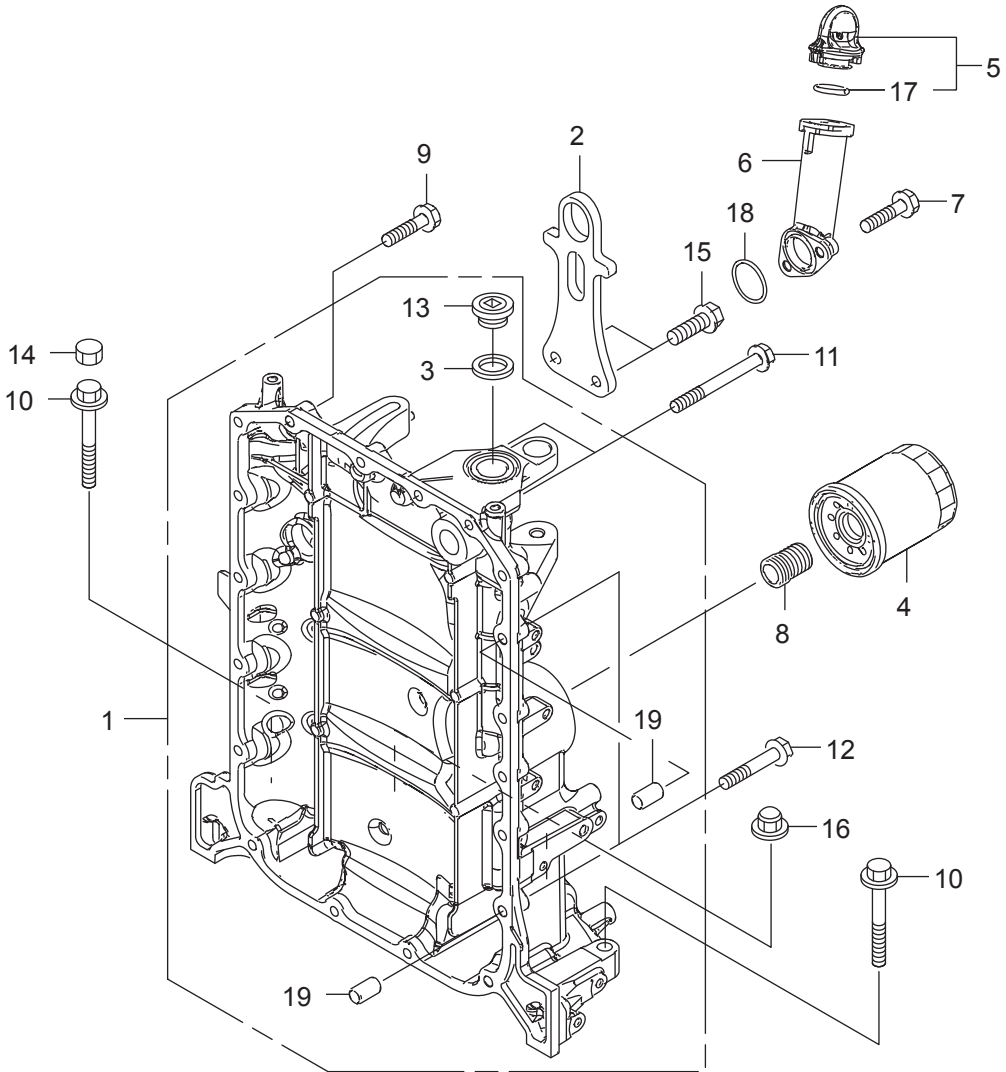
Ref.No.	Part No.	Description	Q' ty			Remarks	
			BFT200D	BFT225D	BFT250D		
E-3	1	HZVL-11200-000	COVER ASSY., CRANKCASE UPPER	1	1	1	
E-3	2	HZY3-11300-C00	CASE ASSY., OIL SEAL	1	1	1	
E-3	3	HZVL-12000-000ZA	BLOCK ASSY., CYLINDER	1	1	1	*NH8*
E-3	4	HZV4-12155-A00	METAL, ANODE	6	6	6	
E-3	5	HZY3-12155-000	METAL, ANODE	2	2	2	
E-3	6	HZY3-12164-000	BOLT, SEALING, 22MM	6	6	6	
E-3	7	HZY3-12171-305	WASHER, SEALING, 22MM	6	6	6	
E-3	8	HZV5-12214-000	WASHER, SEALING(22MM)	1	1	1	
E-3	9	HP8A-15115-A01	PACKING, OIL HOLE	1	1	1	
E-3	10	HP8A-15140-A00	ORIFICE ASSY., OIL CONTROL	2	2	2	
E-3	11	HP8A-15142-A00	O-RING, 8.8X2.4	2	2	2	
E-3	12	HP8A-15150-A00	JOINT ASSY., OIL PIPE	1	1	1	
E-3	13	HR70-15280-A00	BODY, OIL JET	3	3	3	
E-3	14	HRJA-15290-000	BOLT COMP., OIL JET	3	3	3	
E-3	15	HZVL-15655-000	GAUGE COMP., OIL LEVEL	1	1	1	
E-3	16	HZVL-15656-000	COVER, OIL LEVEL GAUGE	1	1	1	
E-3	17	HZY3-15657-000	PACKING, OIL LEVEL GAUGE	1	1	1	
E-3	18	HZY2-15810-000ZA	VALVE ASSY., SPOOL	1	-	-	*NH8* DARK GRAY
E-3	18	HZVL-15810-003ZA	VALVE ASSY., SPOOL	-	1	1	*NH8* DARK GRAY
E-3	19	HZY2-15825-000	FILTER ASSY., SPOOL VALVE	1	-	-	
E-3	19	HZY3-15825-003	FILTER ASSY., SPOOL VALVE	-	1	1	
E-3	20	H5YS-30530-J01	SENSOR, KNOCK	1	1	1	
E-3	21	HZVL-32114-000	BRACKET, CLIP B	1	1	1	
E-3	22	HZVL-32193-000	CORD, SWITCH	1	1	1	
E-3	23	HZY3-35673-003	SENSOR ASSY., WATER	1	1	1	TEMPERATURE
E-3	24	HRNA-37260-A01	SENSOR, OIL PRESSURE	1	1	1	
E-3	25	HPNB-37500-003	SENSOR ASSY., CRANK	1	1	1	
E-3	26	HZVL-90001-000	BOLT, FLANGE, 12X95	2	2	2	
E-3	27	HZVL-90006-003	BOLT-WASHER, 10X109	1	1	1	

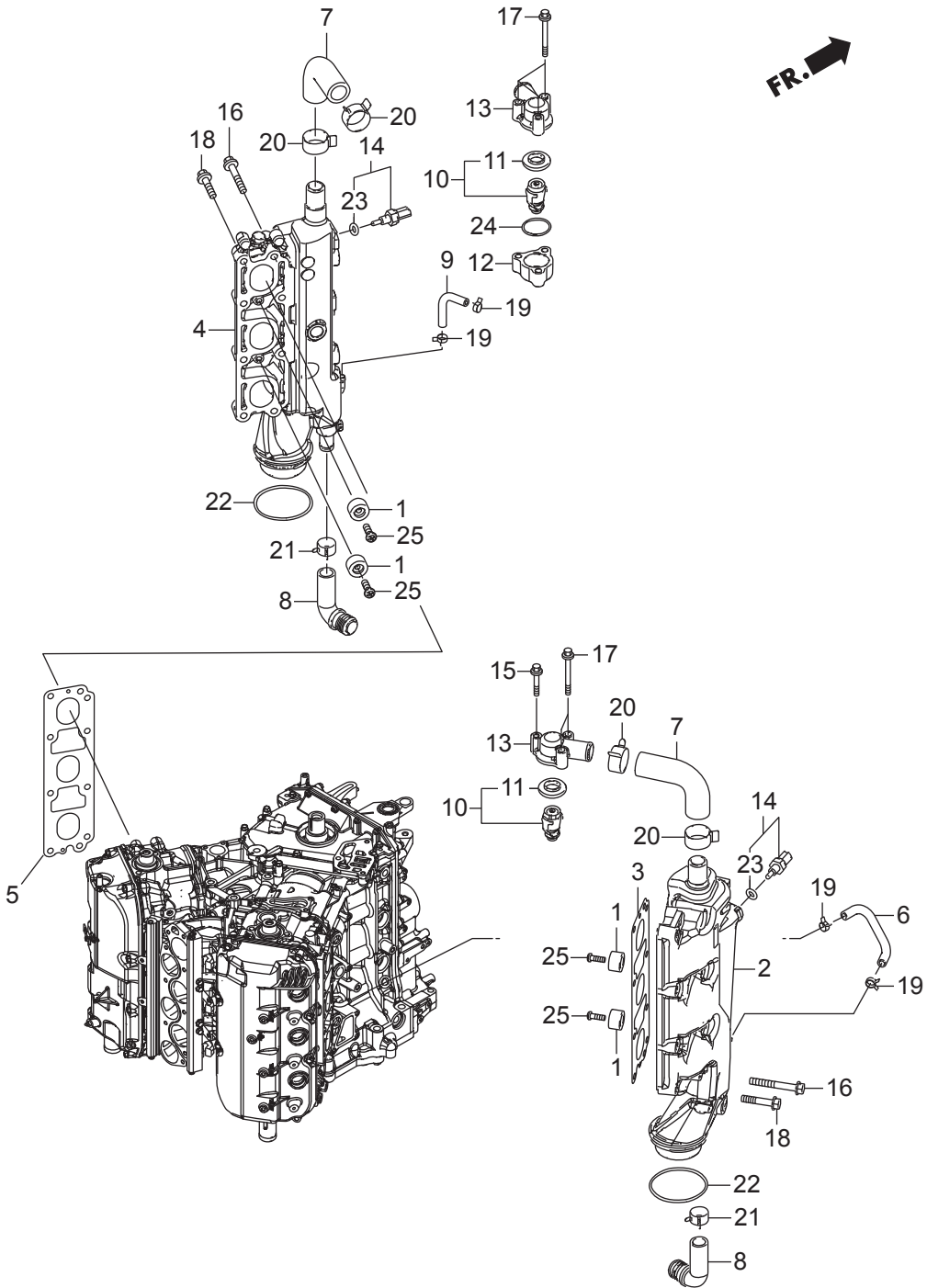
FR. →



Ref.No.	Part No.	Description	Q' ty			Remarks	
			BFT200D	BFT225D	BFT250D		
E-3	28	HZVL-90008-003	BOLT-WASHER, 10X60	5	5	5	
E-3	29	HZVL-90009-003	BOLT-WASHER, 10X80	2	2	2	
E-3	30	HZZ5-90011-M00	BOLT, FLANGE, 6X14(CT200)	1	1	1	
E-3	31	HRCA-90014-A01	BOLT-WASHER, 11X105	8	8	8	
E-3	32	HZZ5-90017-M00	BOLT, FLANGE, 6X16	1	1	1	
E-3	33	HZZ5-90019-M00	BOLT, FLANGE, 6X35	7	7	7	
E-3	34	HZVL-90020-000	BOLT, FLANGE, 8X50	2	2	2	
E-3	35	HZVL-90028-000	BOLT, FLANGE, 6X18	4	4	4	
E-3	36	HZZ5-90030-M00	BOLT, FLANGE, 6X22	8	8	8	
E-3	37	HZVL-90038-000	BOLT, FLANGE, 8X75	1	1	1	
E-3	38	HZY9-90054-M00	BOLT, FLANGE, 8X35	1	1	1	
E-3	39	HZZ5-90081-M00	BOLT, SEALING, 22MM	1	1	1	
E-3	40	HPH7-90715-000	DOWEL PIN, 13X37	8	8	8	
E-3	41	HZY3-91212-003	OIL SEAL, 41X66X8	1	1	1	
E-3	42	HPNA-91214-014	OIL SEAL, 80X98X10(ARAI)	1	1	1	
E-3	43	HZVL-91303-000	O-RING, 8.8X1.9	2	2	2	
E-3	44	HPNA-91307-003	O-RING, 9.5X1.9	1	1	1	
E-3	45	HP8A-91308-A01	O-RING, 18.3X3.5	1	1	1	
E-3	46	HPK1-91308-003	O-RING, 26.2X2.4(NOK)	1	1	1	
E-3	47	HP8A-91309-A01	O-RING, 16.3X3.5	1	1	1	
E-3	48	HPR3-91319-003	O-RING, 13X1.5(ARAI)	1	1	1	
E-3	49	HPOX-91321-003	O-RING, 25X2.4(NOK)	1	1	1	
E-3	50	HPNA-91333-003	O-RING, 15X1.9	1	1	1	
E-3	51	HCO-93500-05016-4J	SCREW, PAN, 5X16	2	2	2	
E-3	52	HCO-93500-05020-4J	SCREW, PAN, 5X20	6	6	6	
E-3	53	HCO-94303-05080	DOWEL PIN, 6X10	4	4	4	

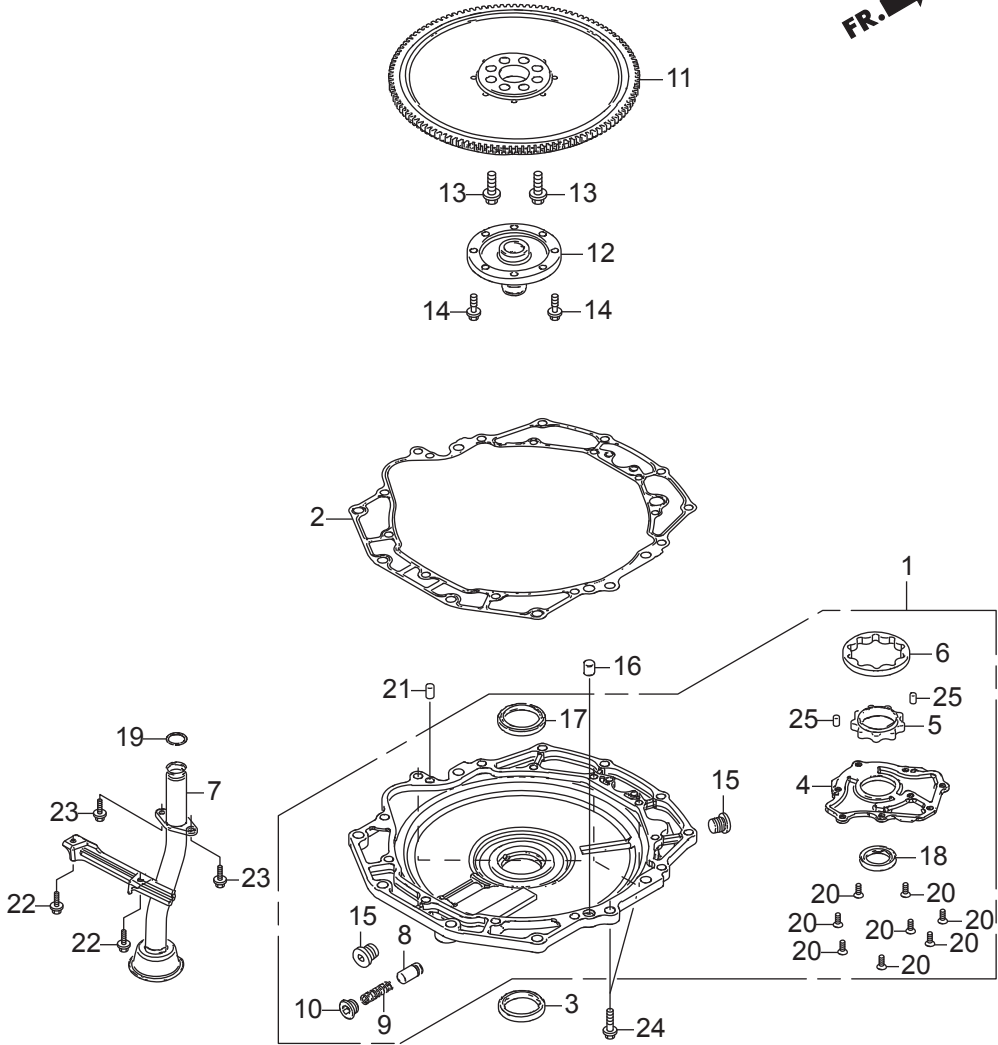
FR. 



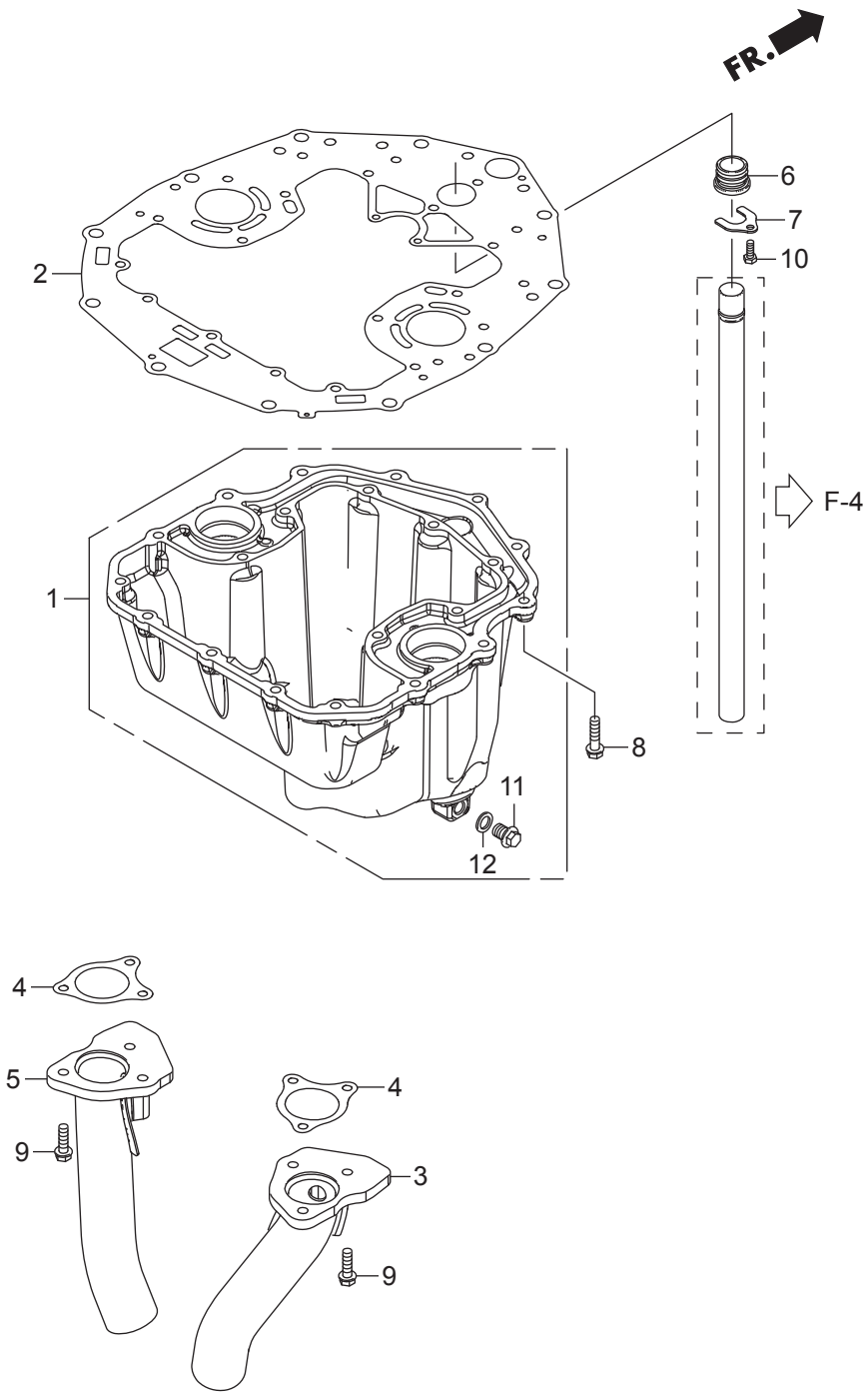


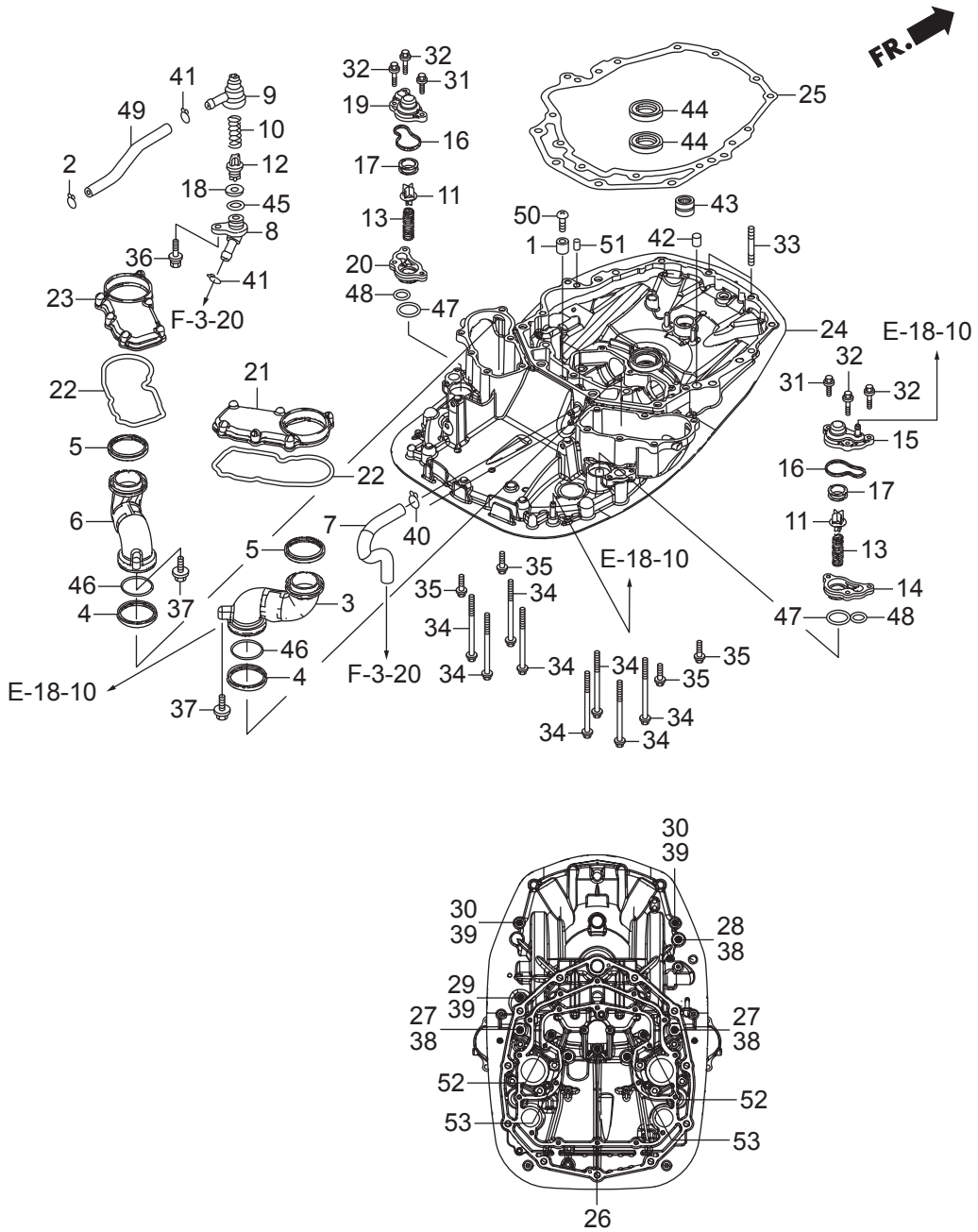
Ref.No.	Part No.	Description	Q' ty			Remarks	
			BFT200D	BFT225D	BFT250D		
E-4	1	HZV5-12155-000	METAL, ANODE	4	4	4	
E-4	2	HZVL-18110-000ZA	MANIFOLD COMP., R. EX.	1	1	1	*NH8* (DARK GRAY)
E-4	3	HZY3-18115-003	GASKET, R. EX. MANIFOLD	1	1	1	
E-4	4	HZVL-18120-000ZA	MANIFOLD COMP., L. EX.	1	1	1	*NH8* (DARK GRAY)
E-4	5	HZY3-18125-003	GASKET, L. EX. MANIFOLD	1	1	1	
E-4	6	HZVL-19255-000	TUBE, R. WATER RETURN	1	1	1	
E-4	7	HZY3-19256-010	TUBE, WATER RELIEF	2	2	2	
E-4	8	HZY3-19257-000	TUBE, WATER	2	2	2	
E-4	9	HZY3-19261-000	TUBE, L. WATER RETURN	1	1	1	
E-4	10	HZX2-19300-003	THERMOSTAT ASSY.	2	2	2	
E-4	11	HZX2-19303-003	RUBBER, RING	2	2	2	
E-4	12	HZVL-19313-000ZA	SPACER, THERMOSTAT COVER	1	1	1	*NH8* (DARK GRAY)
E-4	13	HZVL-19315-000ZA	COVER, THERMOSTAT	2	2	2	*NH8* (DARK GRAY)
E-4	14	HZY3-35673-003	SENSOR ASSY., WATER	2	2	2	TEMPERATURE
E-4	15	HZZ5-90019-M00	BOLT, FLANGE, 6X35	1	1	1	
E-4	16	HZY9-90027-M00	BOLT, FLANGE, 8X60	8	8	8	
E-4	17	HZVL-90034-000	BOLT, FLANGE, 6X60	5	5	5	
E-4	18	HZZ5-90055-M00	BOLT, FLANGE, 8X40	8	8	8	
E-4	19	HZY3-90601-030	CLAMP, TUBE(D10.5)	4	4	4	
E-4	20	HZY3-90603-020	CLAMP, TUBE(D29)	4	4	4	
E-4	21	HZY3-90604-020	CLAMP, TUBE(D21)	2	2	2	
E-4	22	HZY3-91301-003	O-RING, 66.4X3.1	2	2	2	
E-4	23	HPNA-91307-003	O-RING, 9.5X1.9	2	2	2	
E-4	24	HSD4-91356-952	O-RING, 31.5X2.4(ARAI)	1	1	1	
E-4	25	HCO-93500-06018-4J	SCREW, PAN, 6X18	4	4	4	

FR. →

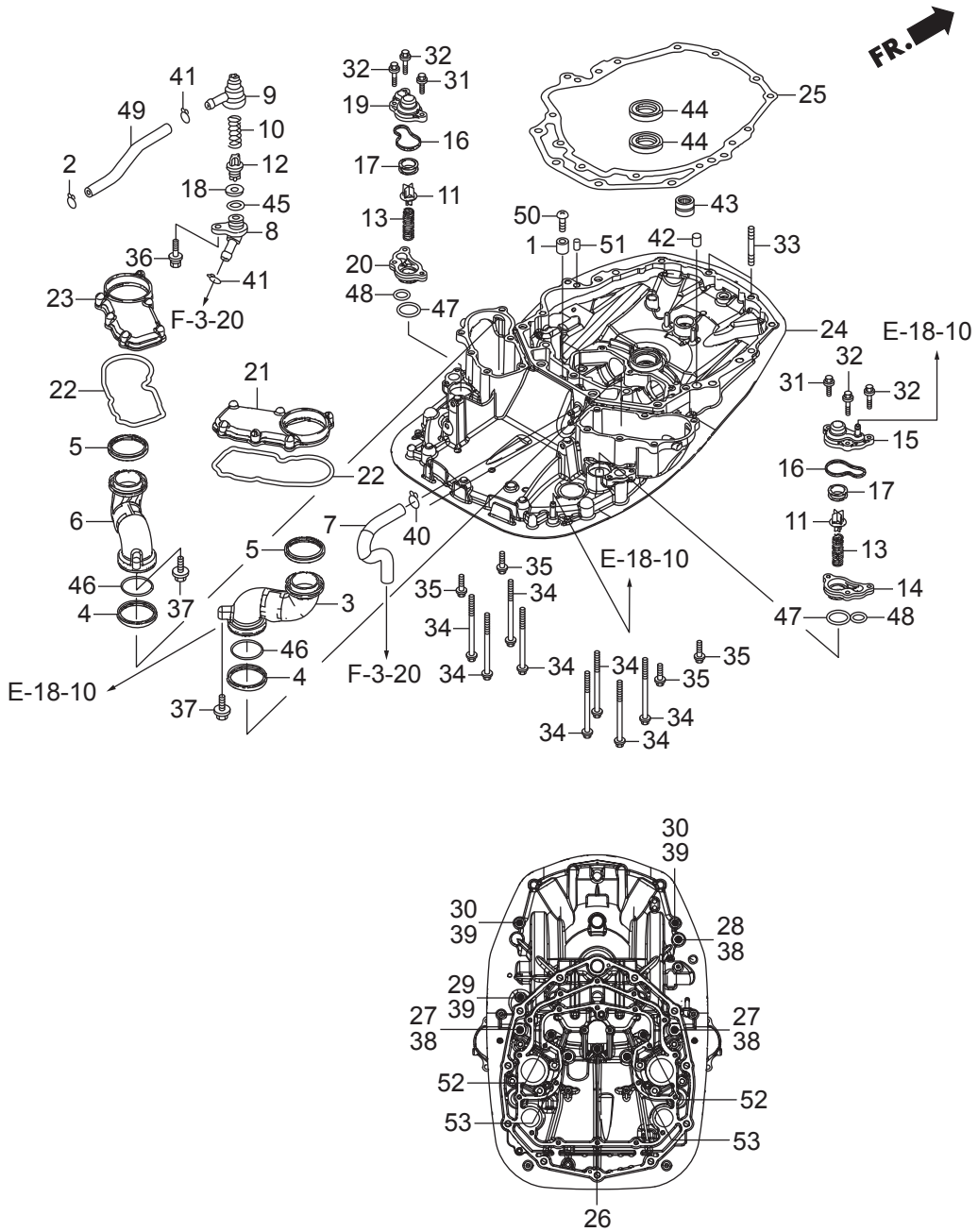


Ref.No.	Part No.	Description	Q'ty			Remarks	
			BFT200D	BFT225D	BFT250D		
E-5	1	HZVL-15100-000ZA	PUMP ASSY., OIL	1	1	1	*NH8* (DARK GRAY)
E-5	2	HZY3-15112-013	PACKING, OIL PUMP BODY	1	1	1	
E-5	3	HZY3-15113-000	RUBBER, OIL PUMP	1	1	1	
E-5	4	HZY3-15121-000	COVER, OIL PUMP	1	1	1	
E-5	5	HZY3-15131-405	ROTOR, OIL PUMP INNER	1	1	1	
E-5	6	HZY3-15132-405	ROTOR, OIL PUMP OUTER	1	1	1	
E-5	7	HZY3-15220-020	STRAINER COMP., OIL	1	1	1	
E-5	8	HPE0-15231-000	VALVE, RELIEF	1	1	1	
E-5	9	HPG6-15232-000	SPRING, RELIEF VALVE	1	1	1	
E-5	10	HPC6-15233-000	BOLT, SEALING, 18MM	1	1	1	
E-5	11	HZX2-31110-000ZA	FLYWHEEL COMP.	1	1	1	*TBLACK* BLACK
E-5	12	HZY3-31116-000	BOSS, FLYWHEEL	1	1	1	
E-5	13	HZX2-90001-000	BOLT, 12MM	8	8	8	
E-5	14	HZW5-90002-013	BOLT, SPECIAL, 8MM	8	8	8	
E-5	15	HZZ5-90081-M00	BOLT, SEALING, 22MM	2	2	2	
E-5	16	HPW5-90701-000	DOWEL PIN, 14X15	1	1	1	
E-5	17	HZW5-91201-003	OIL SEAL, 46X60X9	1	1	1	
E-5	18	HP01-91212-003	OIL SEAL, 31X46X7(NOK)	1	1	1	
E-5	19	HPC6-91324-000	O-RING, 20.6X2.6	1	1	1	
E-5	20	HCO-93600-06016-0A	SCREW, FLAT, 6X16	8	8	8	
E-5	21	HCO-94302-10160	PIN B, DOWEL, 10X16	1	1	1	
E-5	22	HCO-95701-06014-09	BOLT, FLANGE, 6X14	2	2	2	
E-5	23	HCO-95701-06018-09	BOLT, FLANGE, 6X18	2	2	2	
E-5	24	HCO-95701-08030-09	BOLT, FLANGE, 8X30	4	4	4	
E-5	25	HCO-96220-50080	ROLLER, 5X8	2	2	2	



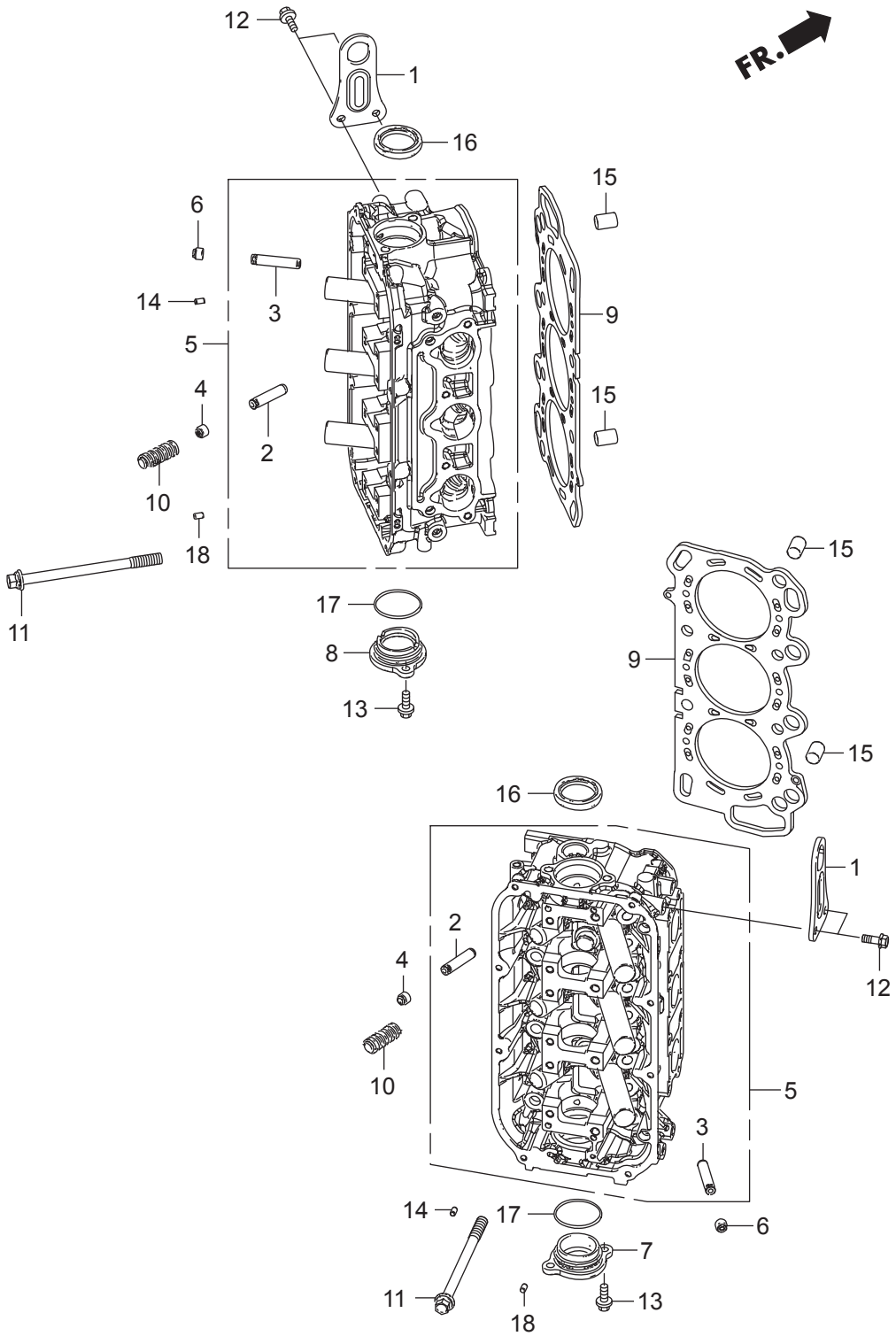


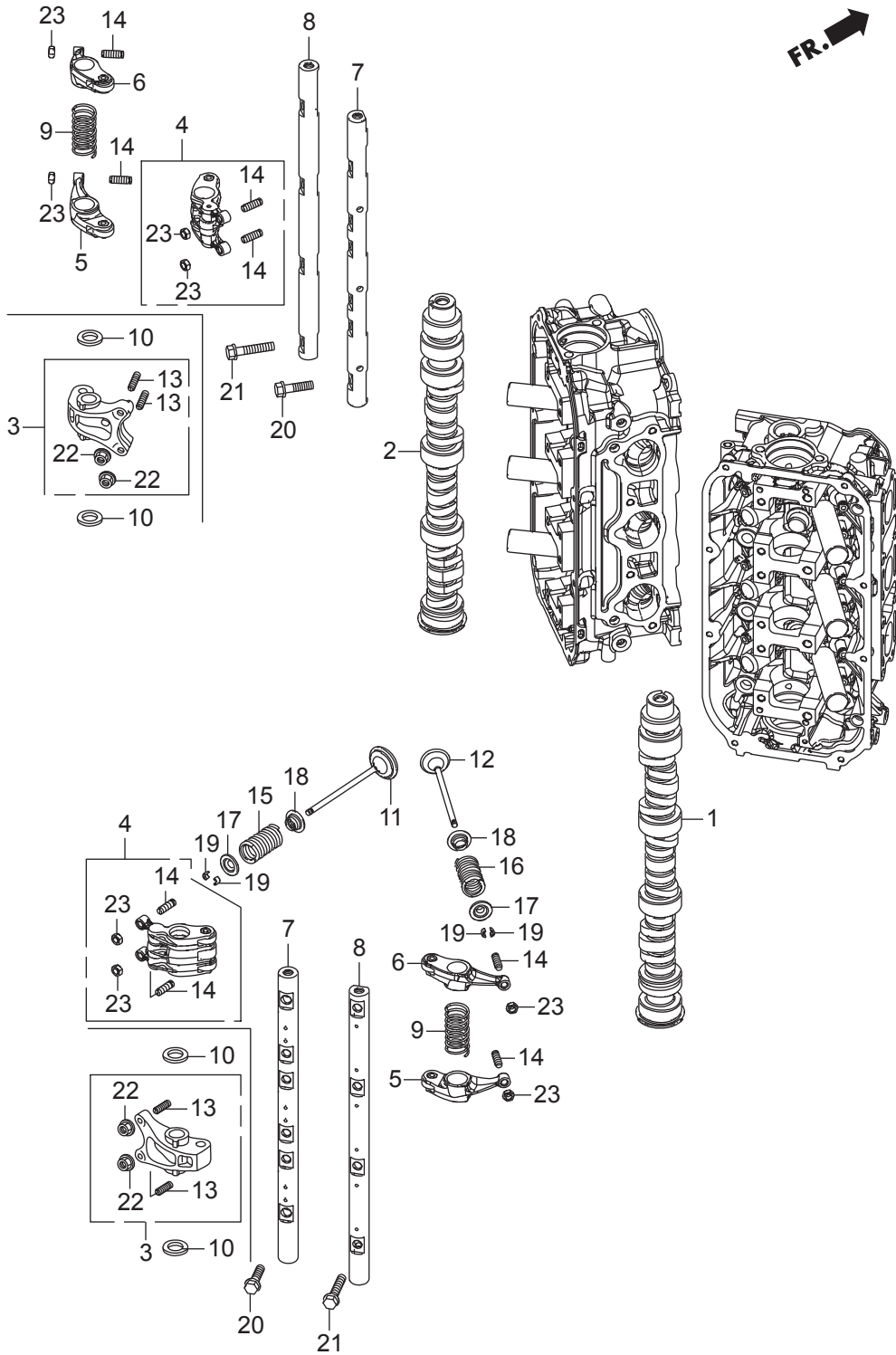
Ref.No.	Part No.	Description	Q' ty			Remarks	
			BFT200D	BFT225D	BFT250D		
E-6-10	1	HZY3-12155-000	METAL, ANODE	2	2	2	
E-6-10	2	HGHB-16163-610	CLIP, TUBE	1	1	1	
E-6-10	3	HZY3-18141-A00ZA	GUIDE, R. EX.	1	1	1	*TGRAY* GRAY
E-6-10	4	HZY3-18148-003	SEAL, EXHAUST GUIDE	2	2	2	
E-6-10	5	HZY3-18149-A01	SEAL B, EX. GUIDE	2	2	2	
E-6-10	6	HZY3-18151-A00ZA	GUIDE, L. EX.	1	1	1	*TGRAY* GRAY
E-6-10	7	HZVL-19257-000	TUBE, WATER	1	1	1	
E-6-10	8	HZY3-19277-000ZA	COVER, FLUSH VALVE	1	1	1	*TGRAY* DARK GRAY
E-6-10	9	HZY3-19278-000	CASE, FLUSH VALVE	1	1	1	
E-6-10	10	HZW9-19279-010	SPRING, FLUSH VALVE	1	1	1	
E-6-10	11	HZW5-19291-000	VALVE, RELIEF	2	2	2	
E-6-10	12	HZW9-19291-000	VALVE, FLASH	1	1	1	
E-6-10	13	HZW5-19292-000	SPRING, RELIEF VALVE	2	2	2	
E-6-10	14	HZY3-19294-000ZB	SPACER, R. RELIEF VALVE	1	1	1	*TGRAY* GRAY
E-6-10	15	HZY3-19295-000	COVER, R. RELIEF VALVE	1	1	1	
E-6-10	16	HZY3-19296-000	PACKING, RELIEF VALVE COVER	2	2	2	
E-6-10	17	HZW5-19297-000	PACKING, RELIEF VALVE	2	2	2	
E-6-10	18	HZW9-19297-000	PACKING, FLASH VALVE	1	1	1	
E-6-10	19	HZY3-19297-000	COVER, L. RELIEF VALVE	1	1	1	
E-6-10	20	HZY3-19298-000ZB	SPACER, L. RELIEF VALVE	1	1	1	*TGRAY* GRAY
E-6-10	21	HZVL-19361-000	COVER, R. WATER JACKET	1	1	1	
E-6-10	22	HZVL-19362-000	PACKING, WATER JACKET COVER	2	2	2	
E-6-10	23	HZVL-19366-000	COVER, L. WATER JACKET	1	1	1	
E-6-10	24	HZVL-23170-000ZA	CASE COMP., MOUNT	1	1	1	*NH8* GRAY
E-6-10	25	HZVL-23172-003	GASKET, MOUNT CASE	1	1	1	
E-6-10	26	H371-90009-015	BOLT, FLANGE, 10X120(SATO)	1	1	1	
E-6-10	27	HZY3-90010-000	BOLT, HEX., 12X120	2	2	2	
E-6-10	28	HZY3-90011-000	BOLT, HEX., 12X65	1	1	1	
E-6-10	29	HZY3-90013-000	BOLT, HEX., 10X85	1	1	1	



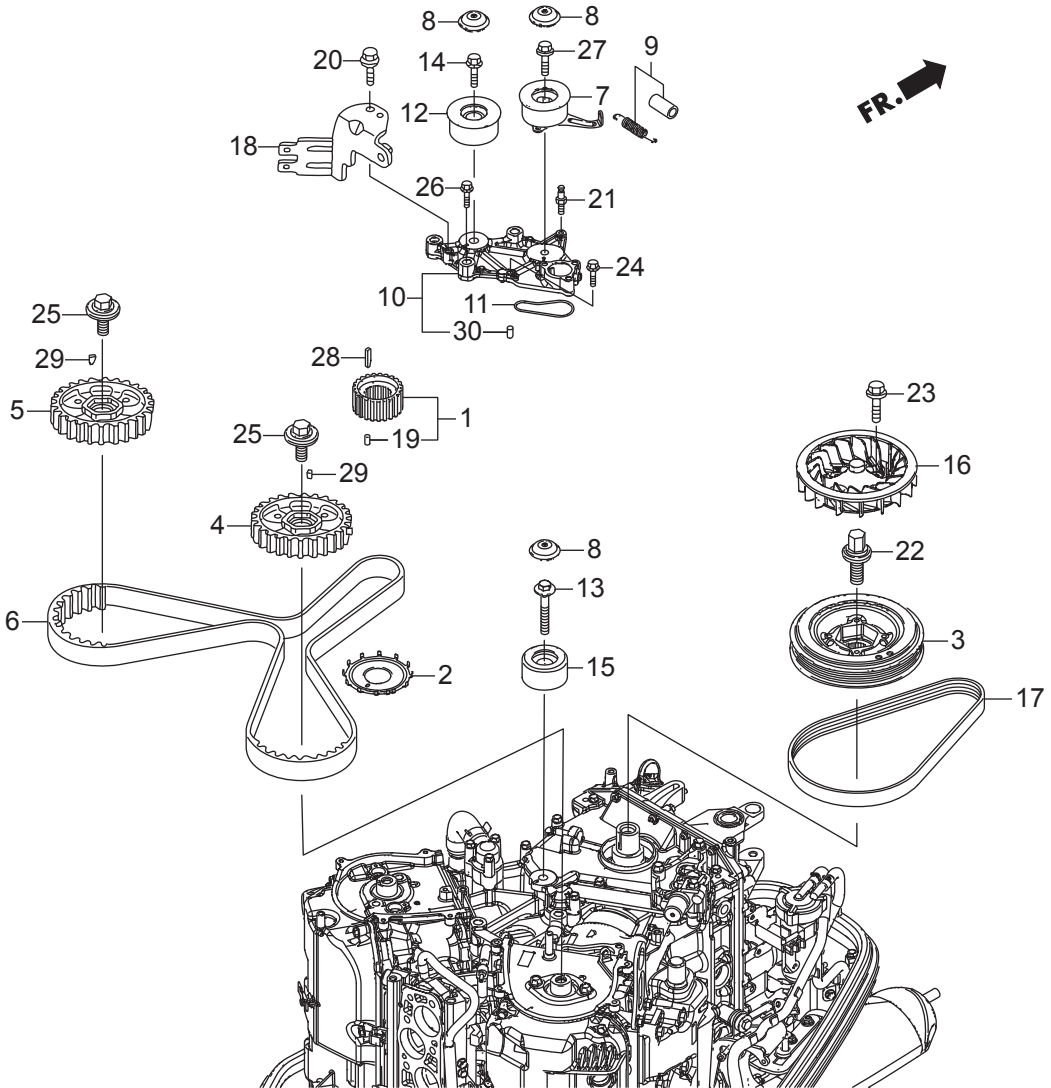
Ref.No.	Part No.	Description	Q' ty			Remarks	
			BFT200D	BFT225D	BFT250D		
E-6-10	30	HZY3-90015-000	BOLT, HEX., 10X60	2	2	2	
E-6-10	31	HZZ5-90030-M00	BOLT, FLANGE, 6X22	2	2	2	
E-6-10	32	HZZ5-90032-M00	BOLT, FLANGE, 6X32	4	4	4	
E-6-10	33	HZVL-90045-000	BOLT, STUD, 10X45	2	2	2	
E-6-10	34	HZVL-90046-000	BOLT, FLANGE, 8X120	8	8	8	
E-6-10	35	HZVL-90049-000	BOLT, FLANGE, 8X30	4	4	4	
E-6-10	36	HZY3-90059-000	BOLT-WASHER, 6X29	1	1	1	
E-6-10	37	HHW1-90207-671	BOLT, FLANGE, 6X40	2	2	2	
E-6-10	38	HZV5-90559-000	WASHER, PLAIN, 12MM	3	3	3	
E-6-10	39	HZV5-90563-000	WASHER, PLAIN, 10MM	3	3	3	
E-6-10	40	HZY3-90601-030	CLAMP, TUBE(D10.5)	1	1	1	
E-6-10	41	HZV4-90605-000	CLIP, TUBE(B12.5)	2	2	2	
E-6-10	42	HPW5-90701-000	DOWEL PIN, 14X15	1	1	1	
E-6-10	43	HZY3-91001-003	BEARING, NEEDLE, 20X28X13	1	1	1	
E-6-10	44	HZW5-91202-003	SEAL, WATER, 22X35X7	2	2	2	
E-6-10	45	H800-91303-000	O-RING, 16MM	1	1	1	
E-6-10	46	HZY3-91304-000	O-RING, 49.4X3.1	2	2	2	
E-6-10	47	HZY3-91305-003	O-RING, 33.5X2	2	2	2	
E-6-10	48	HZY3-91306-003	O-RING, 23.5X2	2	2	2	
E-6-10	49	HZY3-91405-000	TUBE, FLUSH VALVE	1	1	1	
E-6-10	50	HCO-93500-05016-4J	SCREW, PAN, 5X16	2	2	2	
E-6-10	51	HCO-94302-10160	PIN B, DOWEL, 10X16	1	1	1	
E-6-10	52	HCO-95701-10070-09	BOLT, FLANGE, 10X70	2	2	2	
E-6-10	53	HCO-95701-12120-09	BOLT, FLANGE, 12X120	2	2	2	

Ref.No.	Part No.	Description	Q' ty			Remarks	
			BFT200D	BFT225D	BFT250D		
E-7	1	HZX2-13010-000	RING SET, PISTON(STD.)	6	6	6	(RIKEN)
E-7	1	HZX2-13011-000	RING SET, PISTON(0.25)	6	6	6	(RIKEN)
E-7	2	HZX2-13101-000	PISTON	6	6	6	
E-7	2	HZX2-13102-000	PISTON(0.25)	6	6	6	
E-7	3	HPEA-13111-000	PIN, PISTON	6	6	6	
E-7	4	HP5A-13115-000	CLIP, PISTON PIN	12	12	12	
E-7	5	HP8A-13204-A01	BOLT, CONNECTING ROD	12	12	12	
E-7	6	HRKG-13210-000	ROD COMP., CONNECTING	6	6	6	
E-7	7	HRYE-13211-A01	BEARING A, CONNECTING ROD (BLACK)	12	12	12	(TAIHO)
E-7	7	HRYE-13212-A01	BEARING B, CONNECTING ROD(BROWN)	12	12	12	(TAIHO)
E-7	7	HRYE-13213-A01	BEARING C, CONNECTING ROD(GREEN)	12	12	12	(TAIHO)
E-7	7	HRYE-13214-A01	BEARING D, CONNECTING ROD(YELLOW)	12	12	12	(TAIHO)
E-7	7	HRYE-13215-A01	BEARING E, CONNECTING ROD(PINK)	12	12	12	(TAIHO)
E-7	8	HZX2-13310-000	CRANKSHAFT COMP.	1	1	1	
E-7	9	HZX2-13321-003	BEARING A, MAIN UPPER(BLACK)	4	4	4	(TAIHO)
E-7	9	HZX2-13322-003	BEARING B, MAIN UPPER(BROWN)	4	4	4	(TAIHO)
E-7	9	HZX2-13323-003	BEARING C, MAIN UPPER(GREEN)	4	4	4	(TAIHO)
E-7	9	HZX2-13324-003	BEARING D, MAIN UPPER(YELLOW)	4	4	4	(TAIHO)
E-7	9	HZX2-13325-003	BEARING E, MAIN UPPER(PINK)	4	4	4	(TAIHO)
E-7	9	HZX2-13326-003	BEARING F, MAIN UPPER(RED)	4	4	4	(TAIHO)
E-7	10	HZY3-13331-A06	WASHER, THRUST	2	2	2	
E-7	11	HZX2-13341-003	BEARING A, MAIN LOWER(BLACK)	4	4	4	(TAIHO)
E-7	11	HZX2-13342-003	BEARING B, MAIN LOWER(BROWN)	4	4	4	(TAIHO)
E-7	11	HZX2-13343-003	BEARING C, MAIN LOWER(GREEN)	4	4	4	(TAIHO)
E-7	11	HZX2-13344-003	BEARING D, MAIN LOWER(YELLOW)	4	4	4	(TAIHO)
E-7	11	HZX2-13345-003	BEARING E, MAIN LOWER(PINK)	4	4	4	(TAIHO)
E-7	11	HZX2-13346-003	BEARING F, MAIN LOWER(RED)	4	4	4	(TAIHO)
E-7	12	HZY3-13391-010	RETAINER, SPRING	1	1	1	
E-7	13	HZX2-13392-000	SEAT, SPRING(250)	1	1	1	

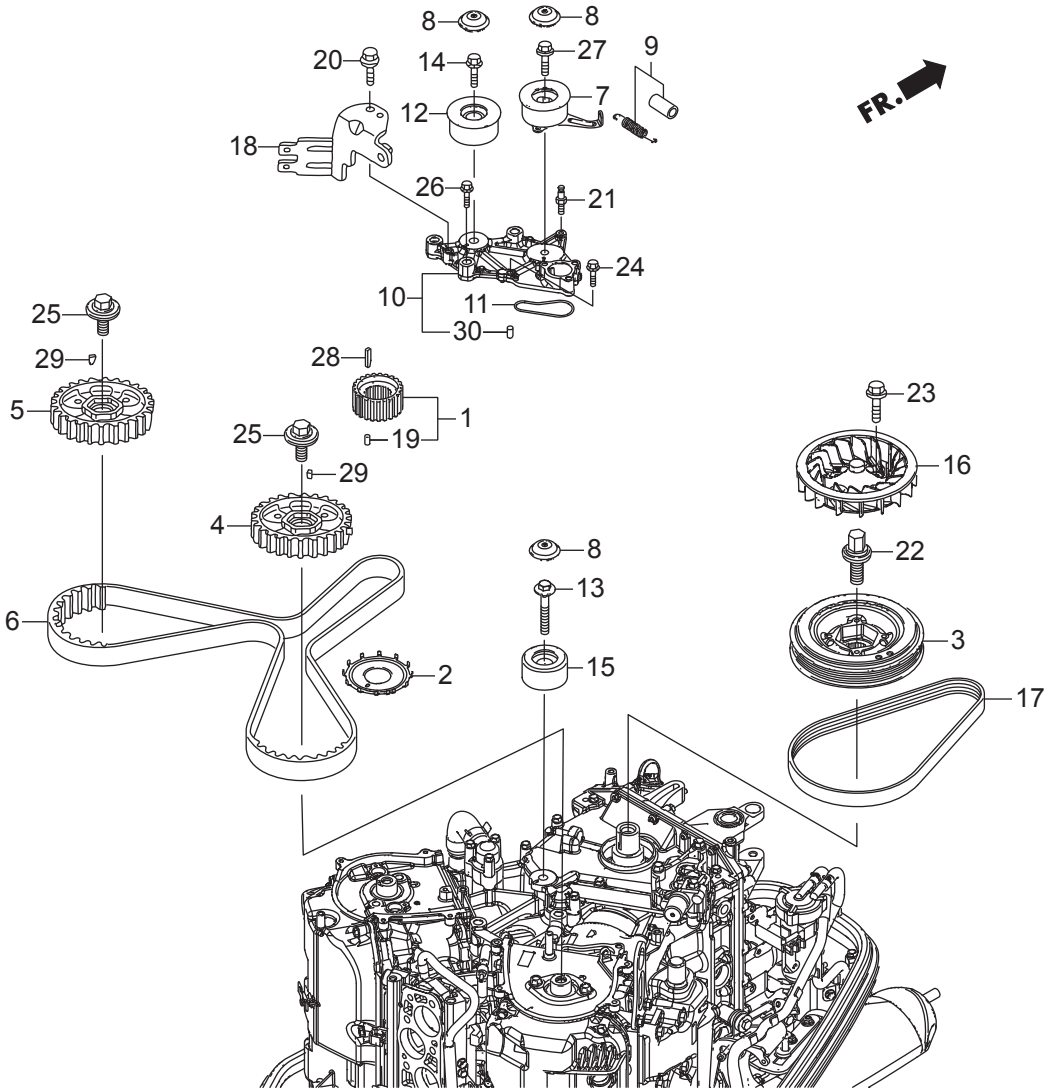


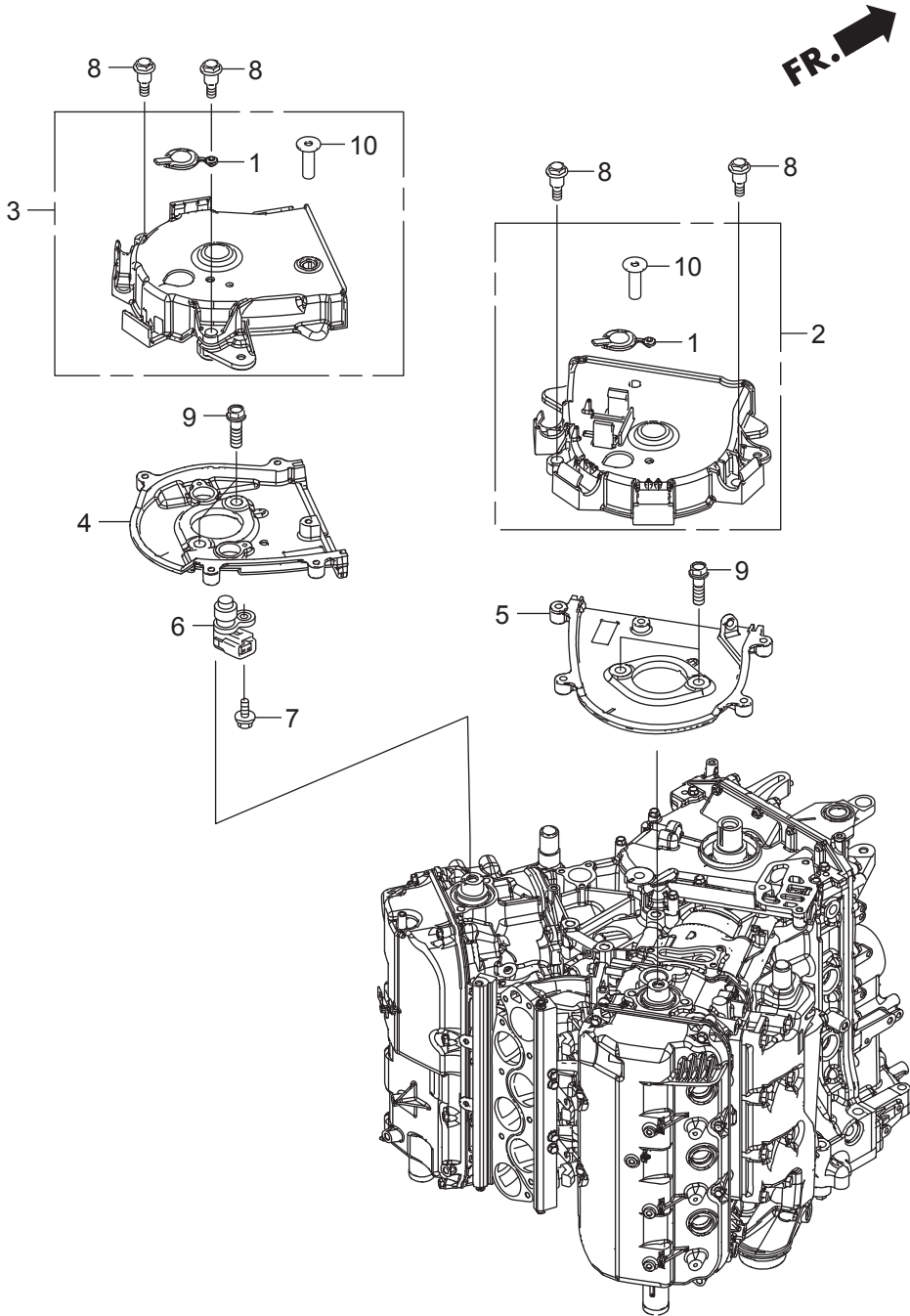


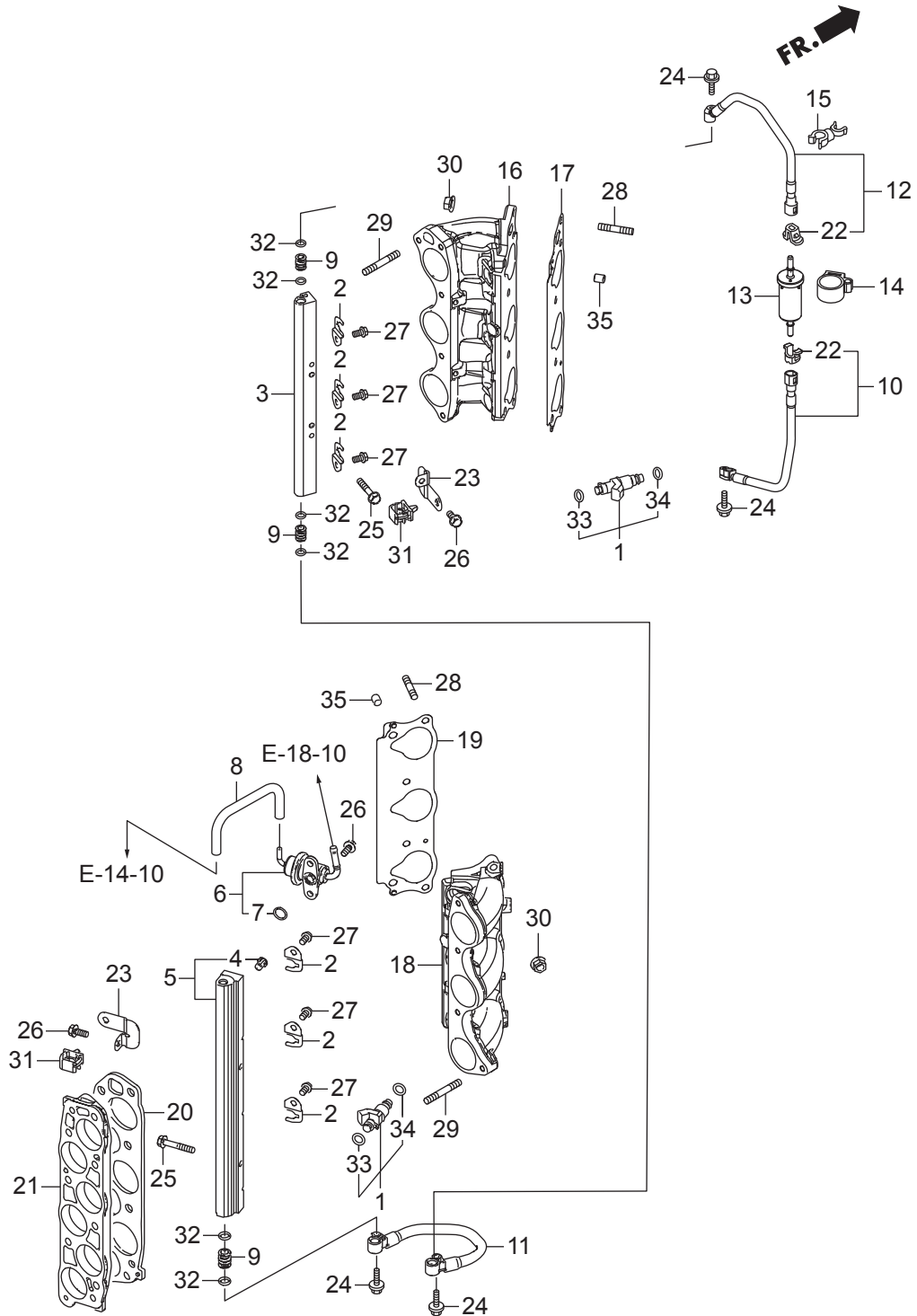
Ref.No.	Part No.	Description	Q' ty			Remarks	
			BFT200D	BFT225D	BFT250D		
E-9-10	1	HZVJ-14111-000	CAMSHAFT, R.	1	-	-	
E-9-10	1	HZX2-14111-000	CAMSHAFT, R.	-	1	1	
E-9-10	2	HZVJ-14211-000	CAMSHAFT, L.	1	-	-	
E-9-10	2	HZX2-14211-000	CAMSHAFT, L.	-	1	1	
E-9-10	3	HRDV-14610-J00	ARM ASSY., FR. INTAKE ROCKER	6	-	-	
E-9-10	4	HP8A-14620-A01	ARM ASSY., INTAKE ROCKER	-	6	6	
E-9-10	5	HP8A-14626-A00	ARM COMP. A, EX. ROCKER	6	6	6	
E-9-10	6	HP8A-14627-A00	ARM COMP. B, EX. ROCKER	6	6	6	
E-9-10	7	HRDV-14631-J00	SHAFT COMP., FR. INTAKE ROCKERARM	2	-	-	
E-9-10	7	HP8A-14631-A00	SHAFT COMP., INTAKE ROCKER ARM	-	2	2	
E-9-10	8	HRCA-14632-A00	SHAFT COMP., EX. ROCKER ARM	2	2	2	
E-9-10	9	HP8A-14645-A01	SPRING, ROCKER ARM	6	6	6	
E-9-10	10	HRDV-14646-J00	WASHER, THRUST	12	-	-	
E-9-10	11	HRJA-14711-000	VALVE, IN.	12	12	12	
E-9-10	12	HRJA-14721-E00	VALVE, EX.	12	12	12	
E-9-10	13	HPM3-14744-000	SCREW, TAPPET ADJUSTING	12	-	-	
E-9-10	14	HPT0-14744-004	SCREW, TAPPET ADJUSTING	12	24	24	
E-9-10	15	HRKG-14761-003	SPRING, VALVE(PINK)	12	12	12	(NIPPON HATSUJO)
E-9-10	16	HP8E-14762-A01	SPRING, EX. VALVE (YELLOW GREEN)	12	12	12	
E-9-10	17	HRDV-14765-J00	RETAINER, VALVE SPRING	24	24	24	
E-9-10	18	HPM3-14775-000	SEAT, VALVE SPRING	24	24	24	
E-9-10	19	HRGM-14781-A01	COTTER, VALVE(FUJI VALVE)	48	48	48	
E-9-10	20	HP8A-90003-A00	BOLT, FLANGE, 8X30	12	12	12	
E-9-10	21	HP8A-90004-A00	BOLT, FLANGE, 8X40	8	8	8	
E-9-10	22	HPM3-90206-004	NUT, TAPPET ADJUSTING	12	-	-	(TOKAI TRW)
E-9-10	23	HPT0-90206-004	NUT, TAPPET ADJUSTING	12	24	24	



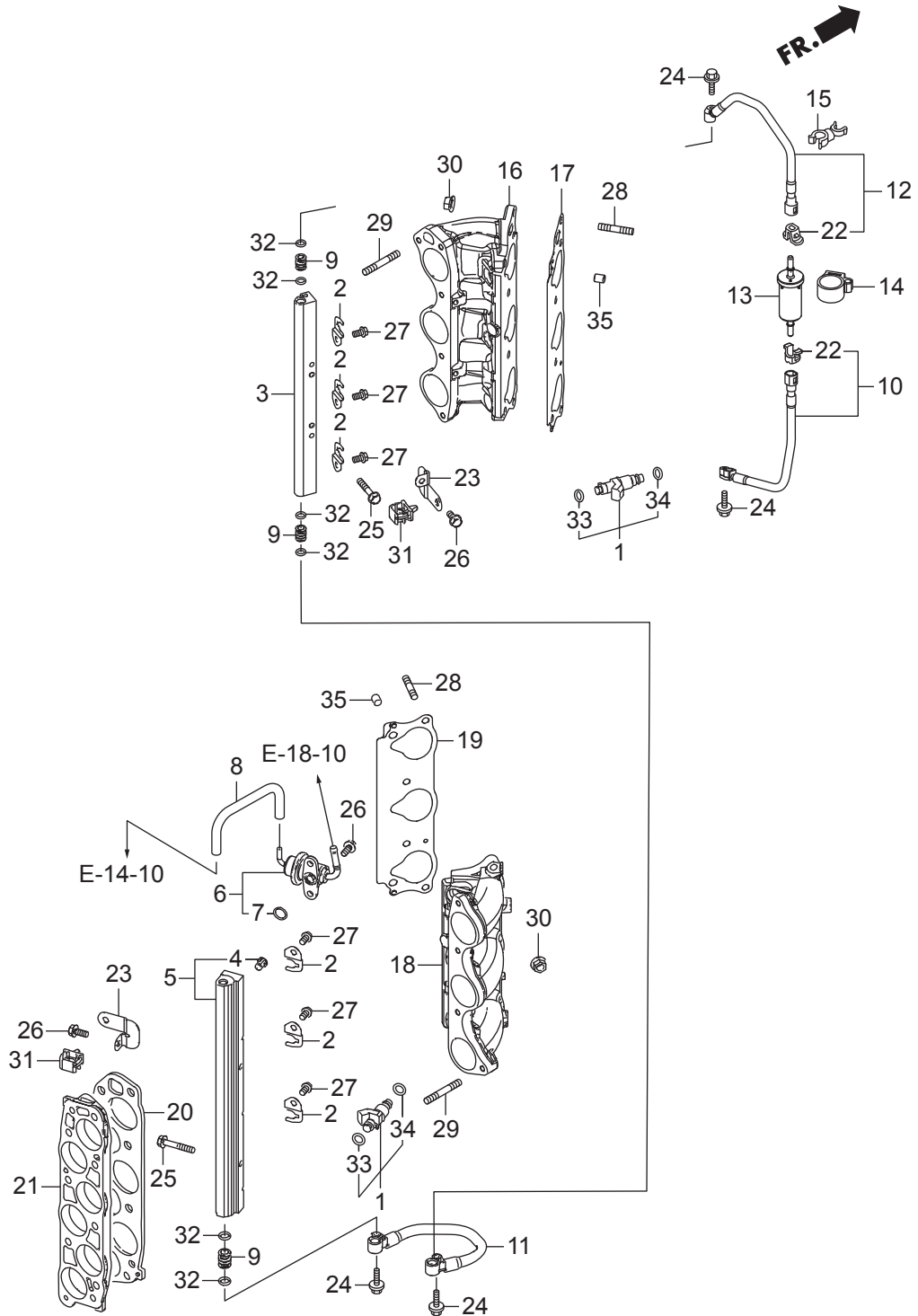
Ref.No.	Part No.	Description	Q' ty			Remarks	
			BFT200D	BFT225D	BFT250D		
E-13	1	HZY3-13621-C01	PULLEY, TIMING BELT DRIVE	1	1	1	
E-13	2	HZVL-13622-000	PLATE, CRANK PULSER	1	1	1	
E-13	3	HZX2-13811-000	PULLEY, CRANKSHAFT	1	1	1	
E-13	4	HZY3-14261-C00	PULLEY COMP., R. TIMING BELT DRIVEN	1	1	1	
E-13	5	HZVL-14270-000	PULLEY COMP., L. TIMING BELT DRIVEN	1	1	1	
E-13	6	HP8A-14400-A01	BELT, TIMING(197YU26 B-323)	1	1	1	
E-13	7	HZY3-14510-003	TENSIONER COMP., TIMING BELT	1	1	1	
E-13	8	HZY3-14515-000	CAP, TIMING BELT TENSIONER	3	3	3	
E-13	9	HZY3-14520-000	SPRING COMP., TIMING BELT ADJUSTING	1	1	1	
E-13	10	HZVL-14526-405ZA	BASE COMP., TIMING BELT	1	1	1	*NH8* DARK GRAY
E-13	11	HZY3-14529-000	O-RING, TIMING BELT TENSIONER BASE	1	1	1	
E-13	12	HZY3-14550-003	IDLER, TIMING BELT(KOYO SEIKO)	1	1	1	
E-13	13	HP8A-14551-A01	BOLT, IDLER	1	1	1	
E-13	14	HZVL-14553-003	BOLT, TIMING BELT IDLER	1	1	1	
E-13	15	HZY3-14555-003	IDLER B, TIMING BELT	1	1	1	
E-13	16	HZX2-19511-000	FAN, COOLING	1	1	1	
E-13	17	HZY3-31638-003	BELT, A.C. GENERATOR	1	1	1	(6PK745 M-180)
E-13	18	HZVL-32111-000	BRACKET, COUPLER D	1	1	1	
E-13	19	HZV0-41122-000	PIN, VERTICAL SHAFT	1	1	1	
E-13	20	HZZ5-90011-M00	BOLT, FLANGE, 6X14(CT200)	1	1	1	
E-13	21	HZZ5-90012-M01	BOLT, TIMING BELT ADJUSTING SPRING	1	1	1	
E-13	22	HRJA-90017-003	BOLT-WASHER, 16X49	1	1	1	
E-13	23	HZZ5-90017-M00	BOLT, FLANGE, 6X16	4	4	4	
E-13	24	HZZ5-90030-M00	BOLT, FLANGE, 6X22	1	1	1	
E-13	25	HP8A-90031-A01	BOLT-WASHER, 12X35	2	2	2	
E-13	26	HZVL-90039-000	BOLT, FLANGE, 10X40	3	3	3	
E-13	27	HZVL-90040-000	BOLT, FLANGE, 10X43	1	1	1	
E-13	28	HRCA-90704-A00	KEY, 4.5X24	1	1	1	
E-13	29	HZY3-90741-000	KEY, SPECIAL	2	2	2	

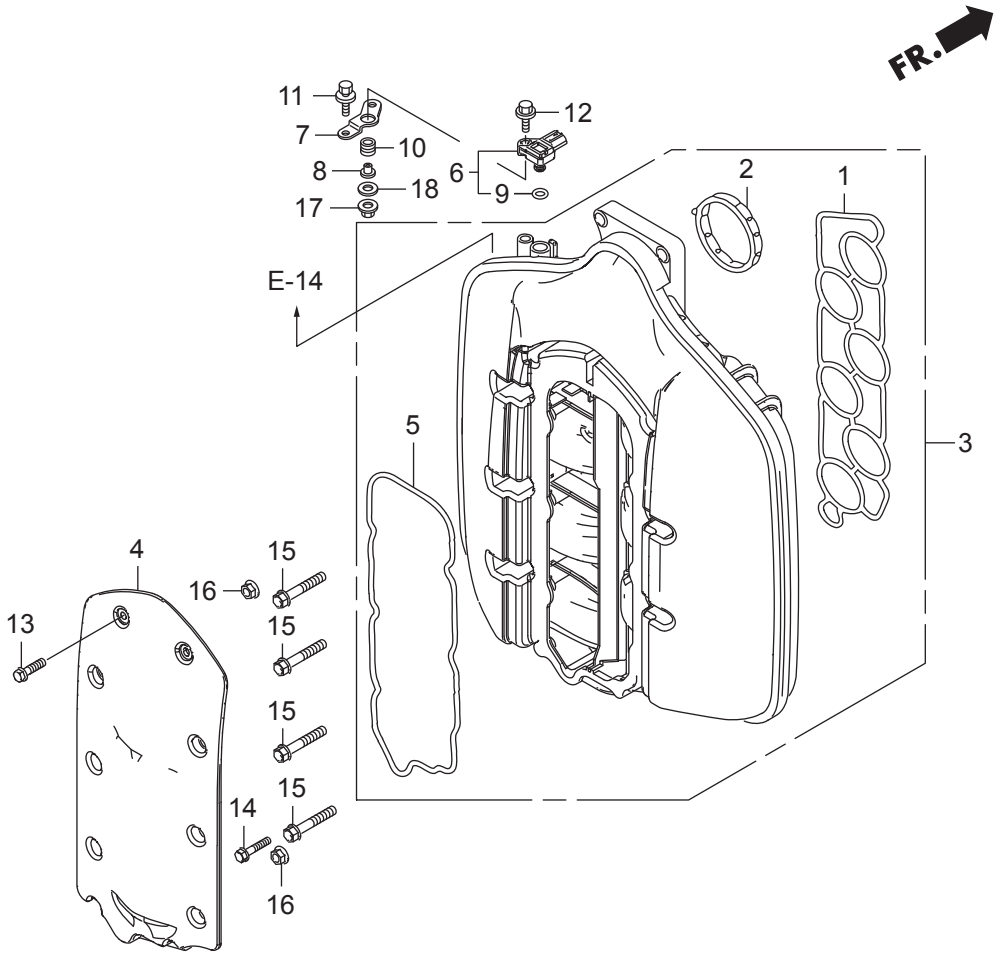


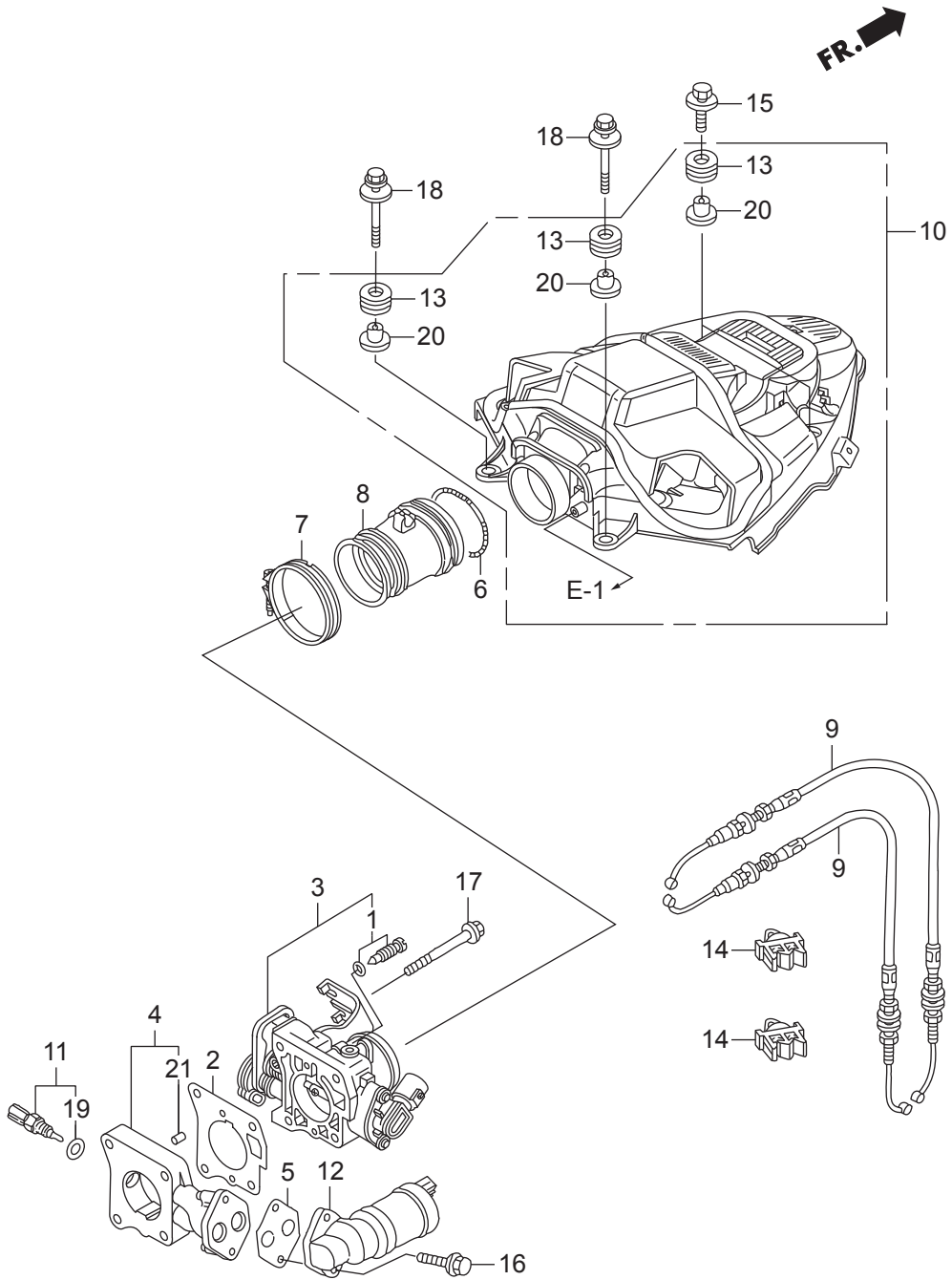


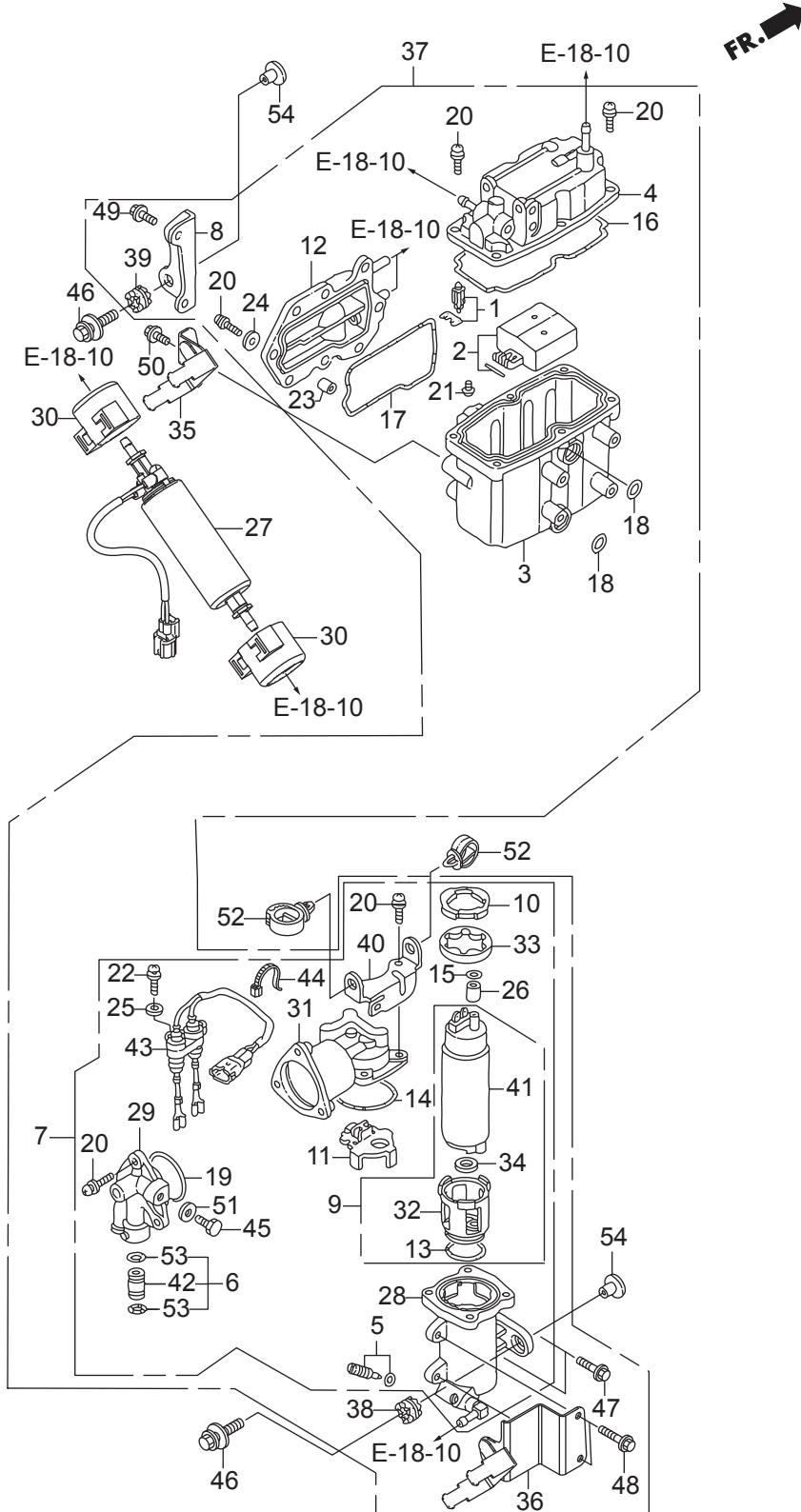


Ref.No.	Part No.	Description	Q' ty			Remarks	
			BFT200D	BFT225D	BFT250D		
E-14	1	HZY6-16450-003	INJECTOR ASSY., FUEL	6	6	6	
E-14	2	HZY3-16451-000	CLIP, INJECTOR	6	6	6	
E-14	3	HZY3-16611-A00	PIPE, R. FUEL	1	1	1	
E-14	4	HP5G-16614-003	MESH, FUEL FILTER	1	1	1	
E-14	5	HZY3-16620-A00	PIPE COMP., L. FUEL	1	1	1	
E-14	6	HZY3-16740-A01	REGULATOR ASSY., PRESSURE	1	1	1	
E-14	7	HPG7-16741-005	O-RING, PRESSURE REGULATOR	1	1	1	
E-14	8	HZVL-16748-000	TUBE, PRESSURE REGULATOR	1	1	1	
E-14	9	HZY3-16752-A00	JOINT, FUEL PIPE	3	3	3	
E-14	10	HZVL-16755-003	HOSE COMP., FUEL	1	1	1	
E-14	11	HZY3-16757-003	HOSE COMP., FUEL JOINT	1	1	1	
E-14	12	HZVL-16765-003	HOSE COMP. B, FUEL	1	1	1	
E-14	13	HZVL-16910-003	STRAINER COMP., FUEL(HIGH)	1	1	1	
E-14	14	HZVL-16917-000	SUSPENSION, STRAINER	1	1	1	
E-14	15	HVM0-16965-771	CLAMP, HOSE	1	1	1	
E-14	16	HZY3-17051-A00	BASE, R. INJECTOR	1	1	1	
E-14	17	HRCA-17055-A01	GASKET, FR. INJECTOR BASE	1	1	1	
E-14	18	HZY3-17061-A00	BASE, L. INJECTOR	1	1	1	
E-14	19	HRCA-17065-A01	GASKET, RR. INJECTOR BASE	1	1	1	
E-14	20	HP8E-17105-A01	GASKET, INTAKE MANIFOLD	1	1	1	
E-14	21	HZY3-17108-000	SPACER, INTAKE MANIFOLD	1	1	1	
E-14	22	HS0X-17711-931	RETAINER(BLUE GREEN)(TOKAI)	2	2	2	
E-14	23	HZY3-32112-000	BRACKET, HARNESS CLIP A	4	4	4	
E-14	24	HZZ5-90014-M00	BOLT, FLANGE, 6X25	4	4	4	
E-14	25	HZZ5-90019-M00	BOLT, FLANGE, 6X35	4	4	4	
E-14	26	HZZ5-90021-M00	BOLT, FLANGE, 6X14	6	6	6	
E-14	27	HZY9-90042-M00	BOLT, FLANGE, 6X10	6	6	6	
E-14	28	HZVL-90043-000	BOLT, STUD, 8X28	8	8	8	
E-14	29	HZY3-90044-000	BOLT, STUD, 8X45	2	2	2	



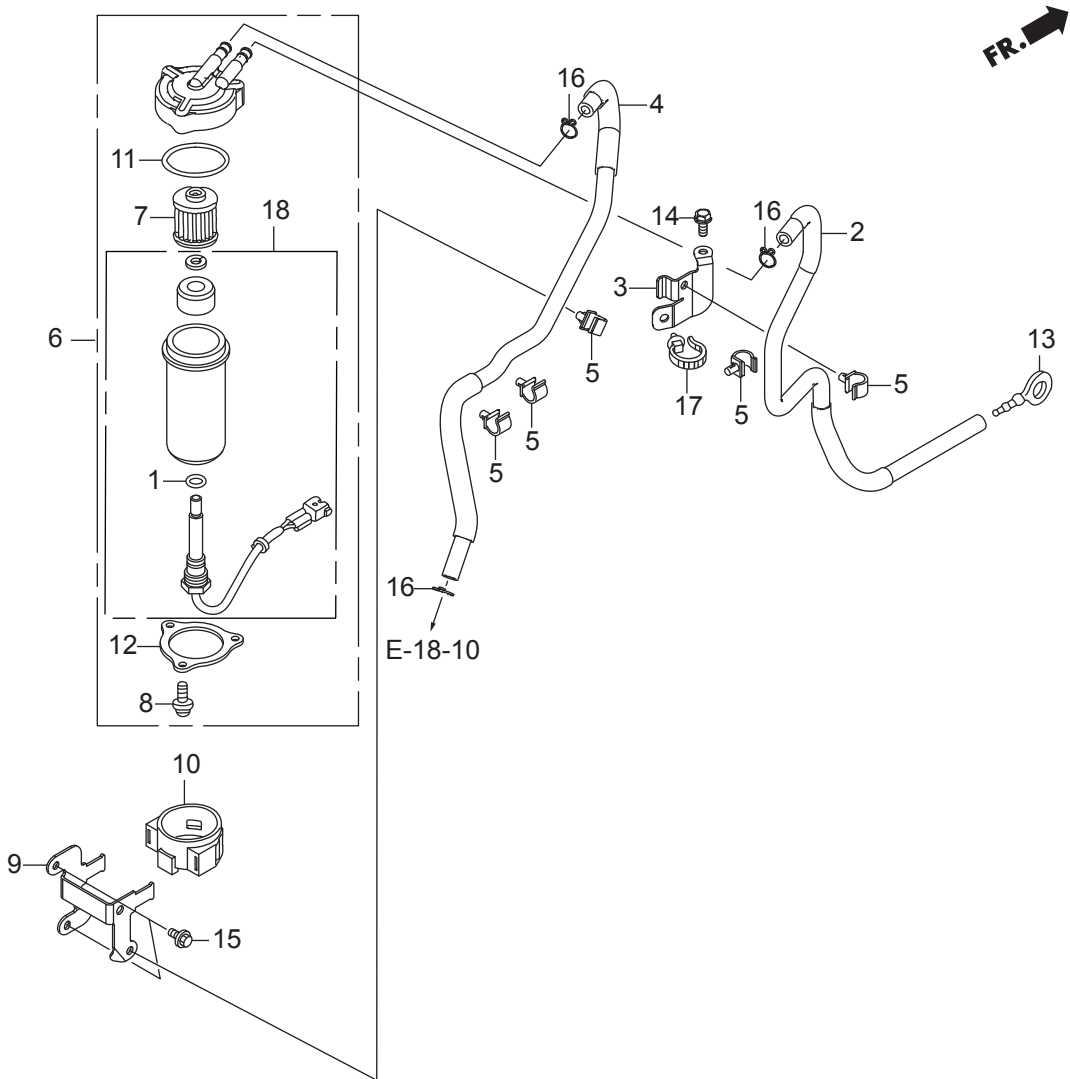


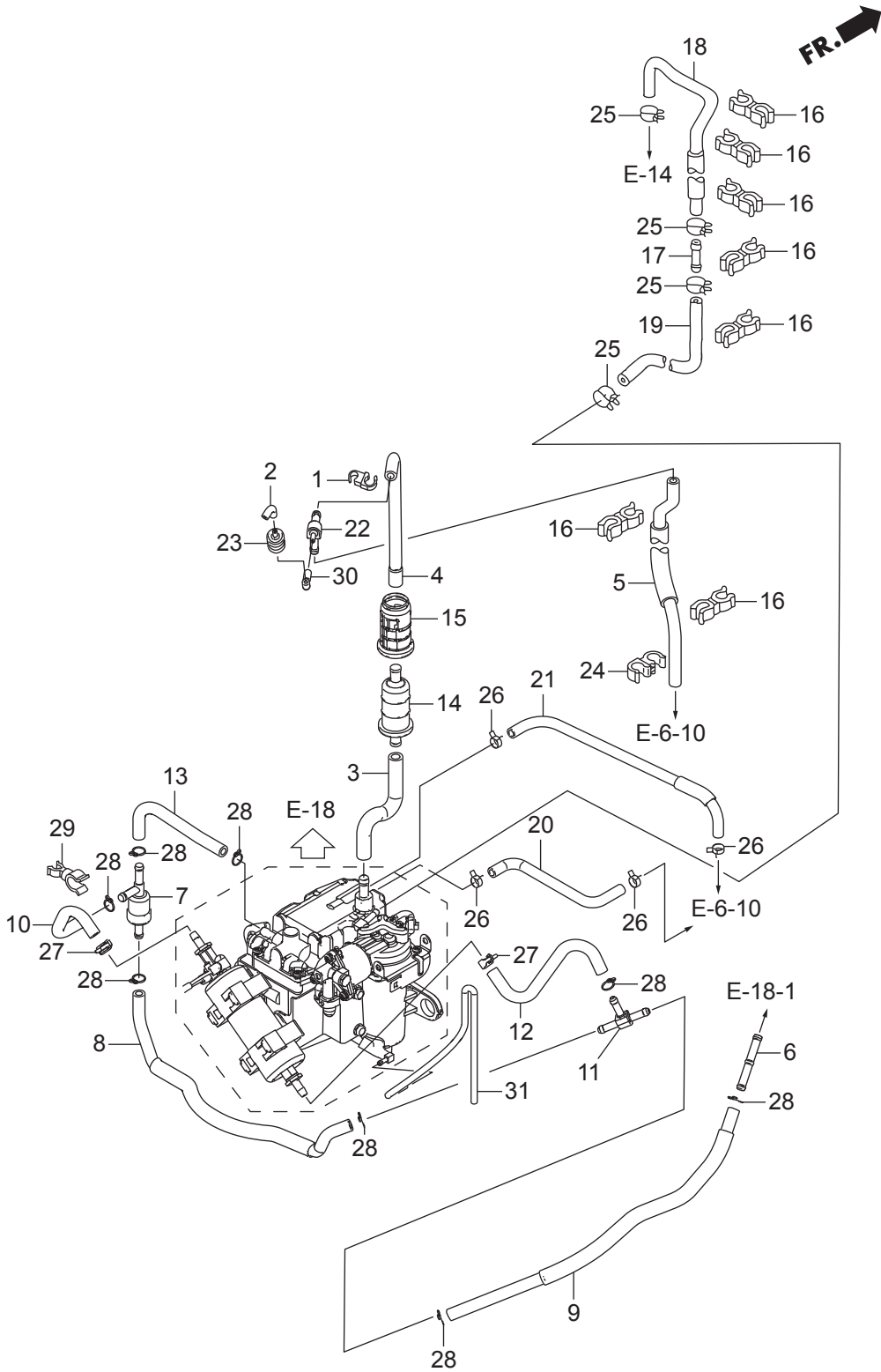




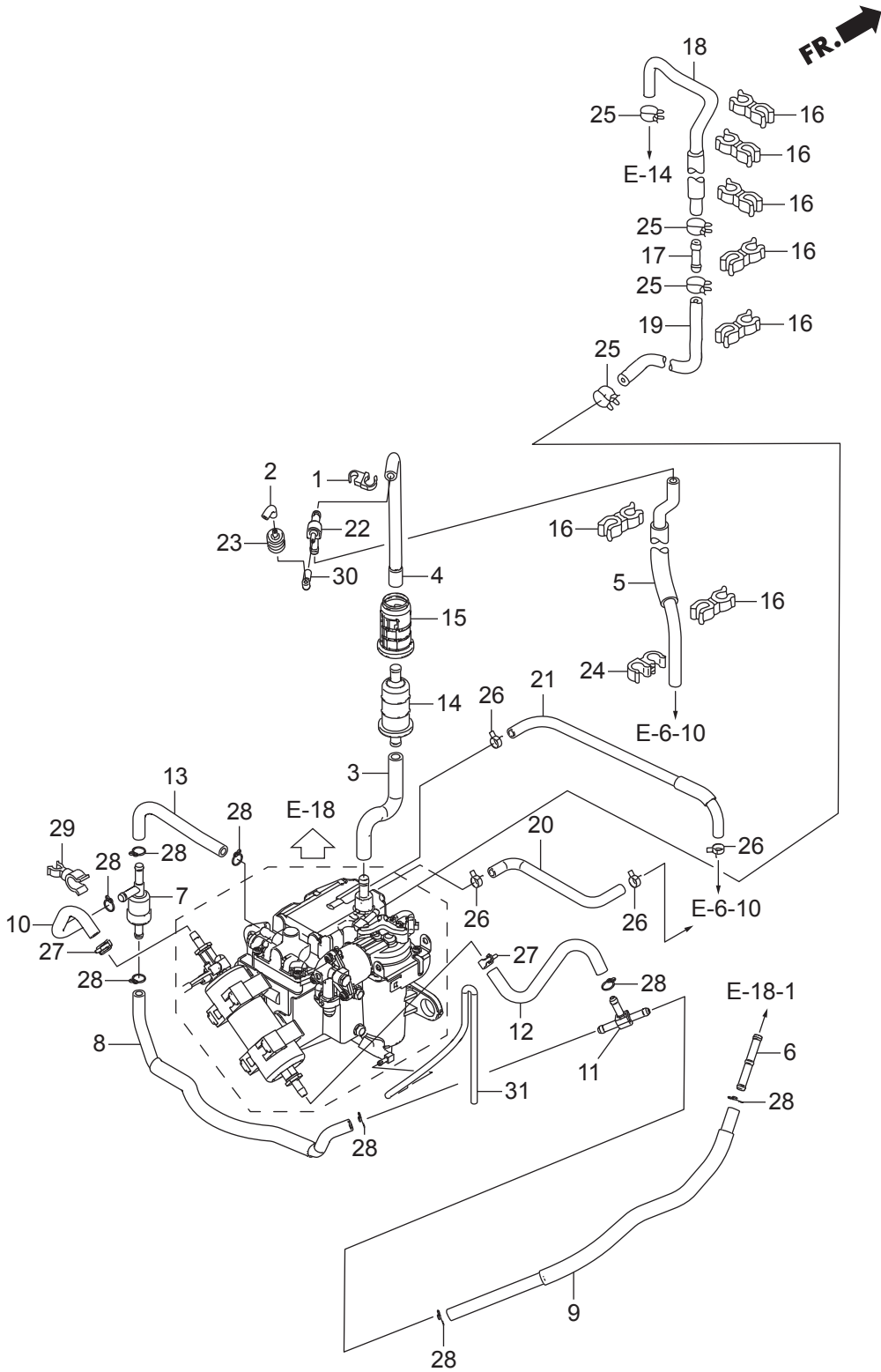
Ref.No.	Part No.	Description	Q' ty			Remarks	
			BFT200D	BFT225D	BFT250D		
E-18	1	HZY3-16011-A01	VALVE SET, FLOAT	1	1	1	
E-18	2	HZY3-16013-000	FLOAT SET	1	1	1	
E-18	3	HZVL-16015-000	BODY	1	1	1	
E-18	4	HZVL-16020-003	COVER COMP.	1	1	1	
E-18	5	HZY3-16024-000	SCREW SET, DRAIN	1	1	1	
E-18	6	HZY3-16026-000	JOINT SET	1	1	1	
E-18	7	HZVL-16030-003	PUMP UNIT SET A, FUEL	1	1	1	
E-18	8	HZY3-16031-010	STAY, PLATE	1	1	1	
E-18	9	HZY3-16036-003	PUMP UNIT SET B, FUEL	1	1	1	
E-18	10	HZY3-16041-000	PLATE	1	1	1	
E-18	11	HZY3-16042-000	HOLDER	1	1	1	
E-18	12	HZY3-16061-000	COVER, WATER JACKET	1	1	1	
E-18	13	HZY3-16072-000	O-RING	1	1	1	
E-18	14	HZY3-16073-000	O-RING	1	1	1	
E-18	15	HZY3-16074-000	O-RING	1	1	1	
E-18	16	HZY3-16075-000	O-RING	1	1	1	
E-18	17	HZY3-16076-000	O-RING	1	1	1	
E-18	18	HZY3-16077-000	O-RING	2	2	2	
E-18	19	HZY3-16078-000	O-RING	1	1	1	
E-18	20	HZW5-16081-010	SCREW-WASHER	21	21	21	
E-18	21	HZY3-16082-000	SCREW, PAN	2	2	2	
E-18	22	HZY3-16083-000	SCREW, WASHER	1	1	1	
E-18	23	HZW5-16086-000	COLLAR, SET	8	8	8	
E-18	24	HZW5-16087-000	WASHER, PLAIN	8	8	8	
E-18	25	HZY3-16087-000	WASHER, PLAIN	1	1	1	
E-18	26	HZY3-16088-000	COLLAR	1	1	1	
E-18	27	HZVL-16700-003	PUMP ASSY., FUEL	1	1	1	
E-18	28	HZX2-16701-003	CASE COMP., PUMP	1	1	1	
E-18	29	HZY3-16708-000	COVER, PUMP	1	1	1	

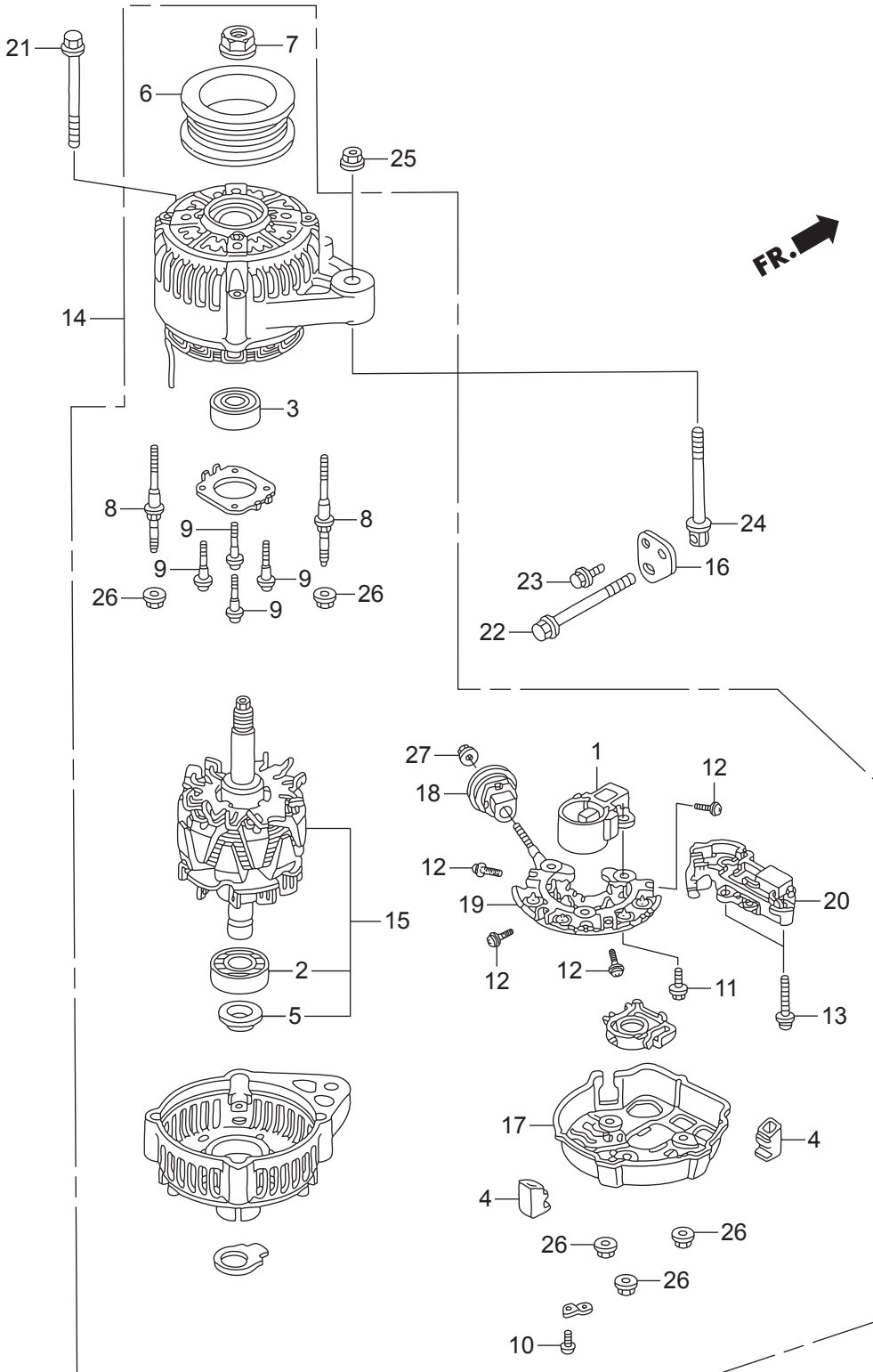
Ref.No.	Part No.	Description	Q' ty			Remarks	
			BFT200D	BFT225D	BFT250D		
E-18	30	HZVL-16710-000	RUBBER, FUEL PUMP	2	2	2	
E-18	31	HZW5-16715-023	COVER, PUMP(A)	1	1	1	
E-18	32	HZY6-16718-013	INSULATOR COMP.	1	1	1	
E-18	33	HZY3-16721-000	INSULATOR	1	1	1	
E-18	34	HZY6-16723-003	RING	1	1	1	
E-18	35	HZVL-16725-000	STAY COMP. A, FUEL PUMP	1	1	1	
E-18	36	HZVL-16726-000	STAY COMP. B, FUEL PUMP	1	1	1	
E-18	37	HZVL-16730-013	SEPARATOR ASSY., VAPOR	1	1	1	
E-18	38	HZW5-16733-000	GROMMET, VAPOR SEPARATOR	1	1	1	
E-18	39	HZY3-16733-000	GROMMET, VAPOR SEPARATOR	2	2	2	
E-18	40	HZY3-16734-000	STAY, PLATE	1	1	1	
E-18	41	HZY3-16735-004	PUMP UNIT, FUEL	1	1	1	
E-18	42	HZY3-16752-000	JOINT, FUEL PIPE	1	1	1	
E-18	43	HZX2-32166-003	HARNESS COMP.	1	1	1	
E-18	44	HZW5-32168-003	BAND	1	1	1	
E-18	45	HPP4-90009-E01	BOLT, SEALING, 6MM	1	1	1	
E-18	46	HZY9-90014-M00	BOLT-WASHER, 8X35	3	3	3	
E-18	47	HZZ5-90014-M00	BOLT, FLANGE, 6X25	2	2	2	
E-18	48	HZZ5-90016-M00	BOLT, FLANGE, 6X28	2	2	2	
E-18	49	HZZ5-90017-M00	BOLT, FLANGE, 6X16	2	2	2	
E-18	50	HZZ5-90021-M00	BOLT, FLANGE, 6X14	2	2	2	
E-18	51	HPD6-90430-003	WASHER, SEALING, 6MM	1	1	1	
E-18	52	HZB7-90691-003	CLIP, HARNESS	2	2	2	
E-18	53	HMJ0-91301-003	O-RING, 7.8X1.9(ARAI)	2	2	2	
E-18	54	HZY9-91504-M00	COLLAR, 8.5X14.5	3	3	3	



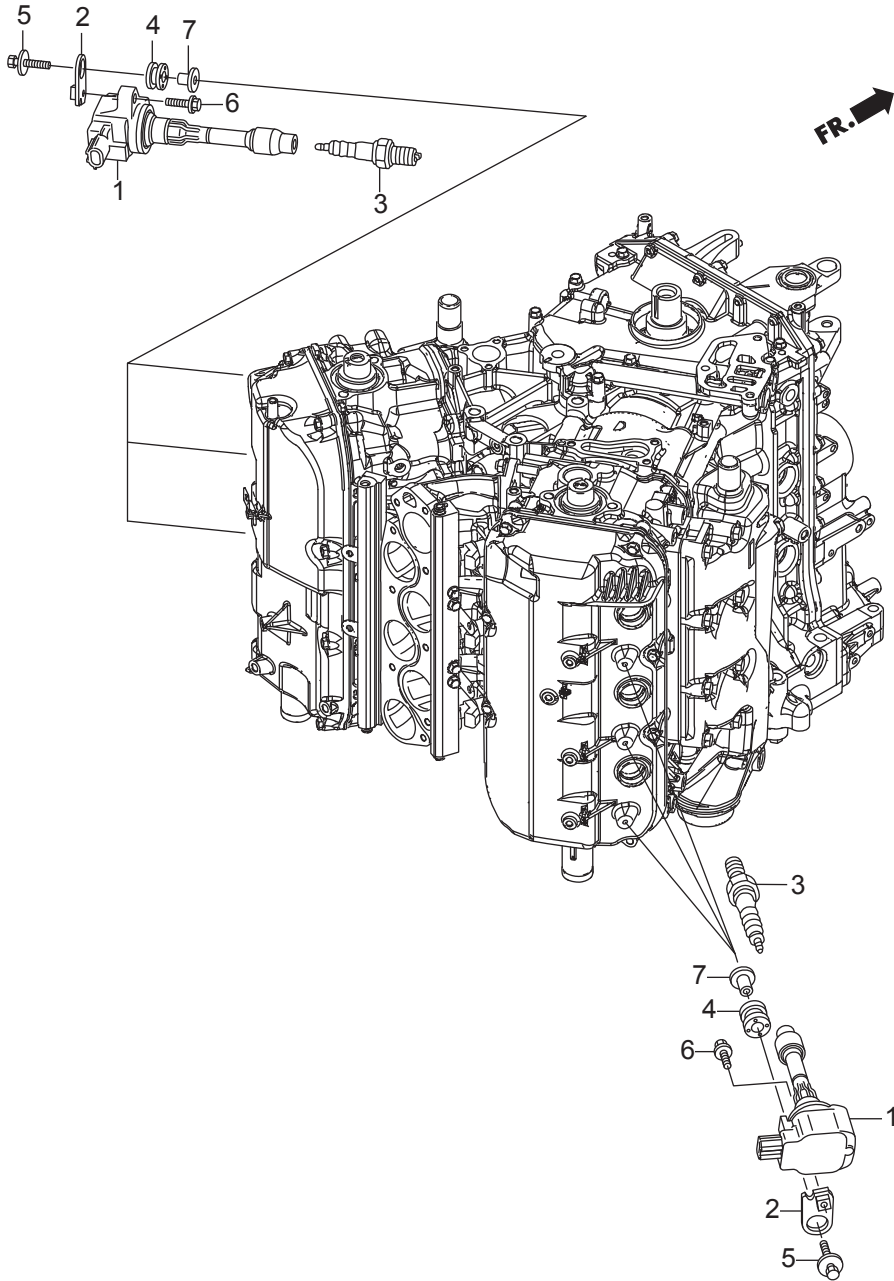


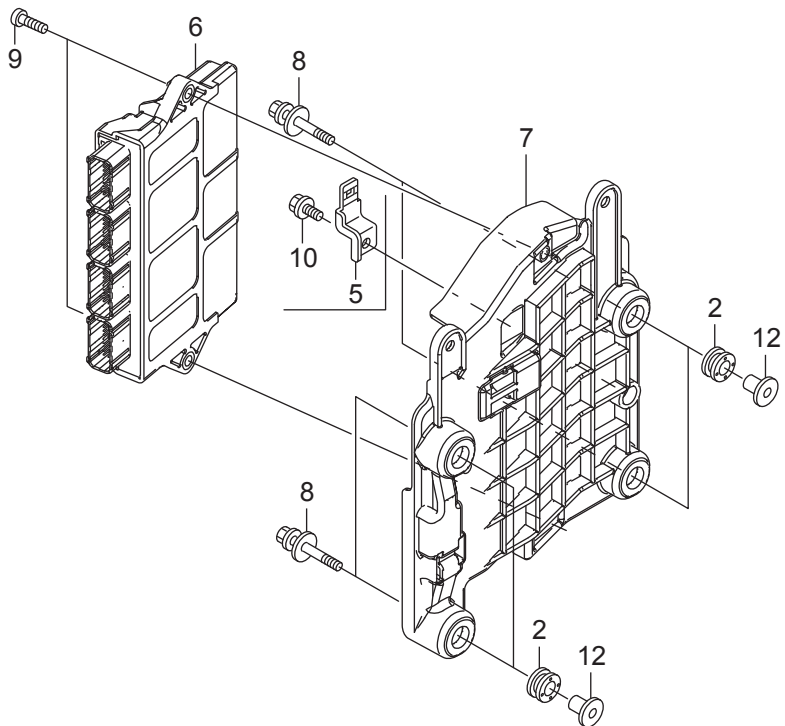
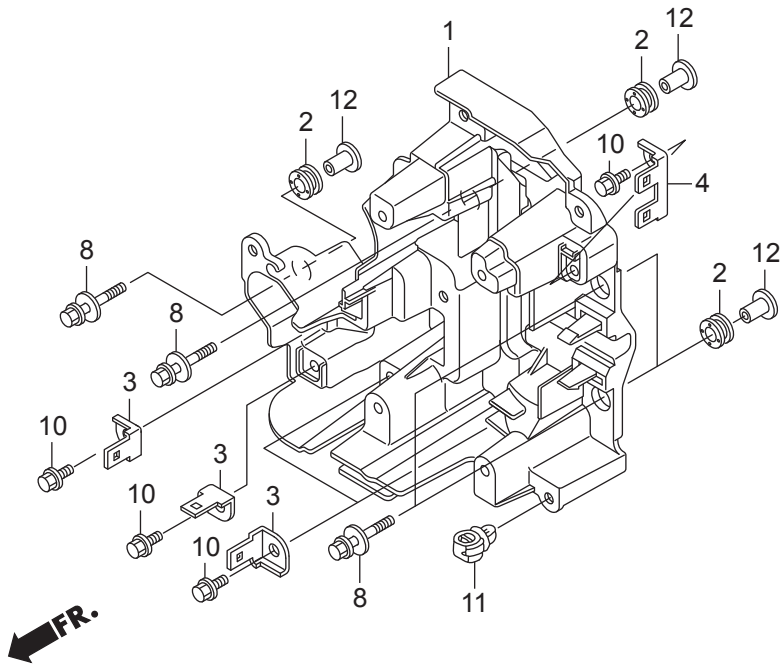
Ref.No.	Part No.	Description	Q' ty			Remarks	
			BFT200D	BFT225D	BFT250D		
E-18-10	1	HZY3-16193-A00	CLAMP, CHECK VALVE	1	1	1	
E-18-10	2	HZY3-16196-A00	TUBE, CHECK VALVE	1	1	1	
E-18-10	3	HZY3-16197-000	TUBE A, AIR VENT	1	1	1	
E-18-10	4	HZY3-16198-A00	TUBE B, AIR VENT	1	1	1	
E-18-10	5	HZY3-16199-A00	TUBE COMP., AIR VENT	1	1	1	
E-18-10	6	HRMA-16723-E00	JOINT, FUEL FEED HOSE	1	1	1	
E-18-10	7	HZVL-16760-003	VALVE COMP., RELIEF	1	1	1	
E-18-10	8	HZVL-16770-A00	TUBE, RELIEF	1	1	1	
E-18-10	9	HZVL-16860-A00	TUBE COMP. C, FUEL	1	1	1	
E-18-10	10	HZVL-16870-A00	TUBE D, FUEL	1	1	1	
E-18-10	11	HZVL-16875-000	JOINT, THREE WAY	1	1	1	
E-18-10	12	HZVL-16880-A00	TUBE E, FUEL	1	1	1	
E-18-10	13	HZVL-16890-A00	TUBE F, FUEL	1	1	1	
E-18-10	14	H759-16911-003	STRAINER, FUEL PUMP	1	1	1	
E-18-10	15	HZW5-16915-000	SUSPENSION, STRAINER	1	1	1	
E-18-10	16	HVM0-16965-771	CLAMP, HOSE	7	7	7	
E-18-10	17	HZY3-17721-000	JOINT, FUEL RETURN	1	1	1	
E-18-10	18	HZY3-17723-A01	HOSE A, PRESSURE REGULATOR	1	1	1	RETURN
E-18-10	19	HZY3-17724-010	HOSE B, PRESSURE REGULATOR	1	1	1	RETURN
E-18-10	20	HZY3-19258-010	TUBE, WATER IN.	1	1	1	
E-18-10	21	HZY3-19259-000	TUBE, WATER OUTLET	1	1	1	
E-18-10	22	HZY6-19269-000	T-JOINT	1	1	1	
E-18-10	23	HZY6-36135-003	VALVE, CHECK	1	1	1	
E-18-10	24	HSE0-53740-953	CLIP, SENSOR HOSE	1	1	1	
E-18-10	25	HZW5-90601-030	CLAMP, TUBE(D10.7)	4	4	4	
E-18-10	26	HZY3-90601-030	CLAMP, TUBE(D10.5)	4	4	4	
E-18-10	27	HZW5-90602-030	CLAMP, TUBE(D12)	2	2	2	
E-18-10	28	HZV0-90604-000	CLIP, TUBE(B12)	8	8	8	
E-18-10	29	HZW5-90652-003	CLAMP, 6MM-12MM	1	1	1	

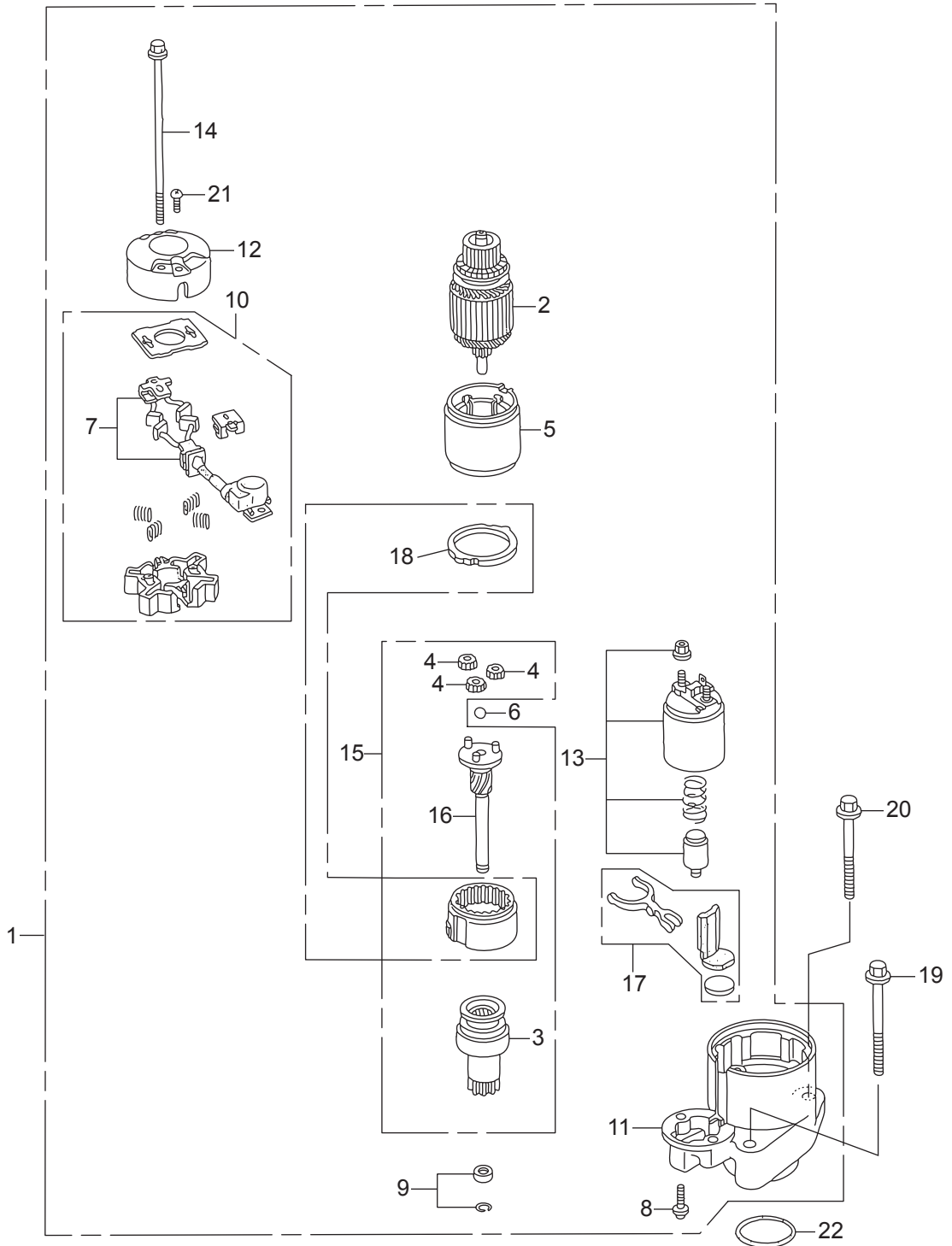




Ref.No.	Part No.	Description	Q' ty			Remarks	
			BFT200D	BFT225D	BFT250D		
E-19	1	HPR7-31105-A01	HOLDER ASSY., BRUSH	1	1	1	
E-19	2	HPT0-31111-003	BEARING, RR. GENERATOR	1	1	1	
E-19	3	HPT0-31114-013	BEARING, FR. GENERATOR	1	1	1	
E-19	4	HPT0-31118-003	BUSH, INSULATION	4	4	4	
E-19	5	HPD1-31138-004	COVER, BEARING	1	1	1	
E-19	6	HP13-31141-003	PULLEY	1	1	1	
E-19	7	HPD1-31142-004	NUT, PULLEY LOCK	1	1	1	
E-19	8	HPD1-31145-004	BOLT, STUD, 6X68	4	4	4	
E-19	9	HPT0-31146-003	SCREW	4	4	4	
E-19	10	HP13-31147-003	SCREW	1	1	1	
E-19	11	HPT0-31147-003	SCREW-WASHER	3	3	3	
E-19	12	HP13-31148-003	SCREW, WAVE WASHER	4	4	4	
E-19	13	HPT0-31148-003	SCREW, WAVE WASHER	2	2	2	
E-19	14	HZY3-31630-013	GENERATOR ASSY., A.C.	1	1	1	
E-19	15	HZY3-31631-003	ROTOR ASSY.	1	1	1	
E-19	16	HZVL-31637-000	STAY, A.C. GENERATOR	1	1	1	
E-19	17	HZY3-31639-003	END COVER, RR.	1	1	1	
E-19	18	HZY3-31694-003	BUSH, INSULATION	1	1	1	
E-19	19	HZY3-31710-003	RECTIFIER ASSY.	1	1	1	
E-19	20	HZY3-31750-003	REGULATOR ASSY.	1	1	1	
E-19	21	HZX2-90002-000	BOLT, FLANGE, 10X90	1	1	1	
E-19	22	HZVL-90011-000	BOLT, SPECIAL ADJUSTER	1	1	1	
E-19	23	HZZ5-90017-M00	BOLT, FLANGE, 6X16	1	1	1	
E-19	24	HZY3-90055-000	BOLT, TENSIONER	1	1	1	
E-19	25	HZW5-90203-010	NUT, FLANGE, 8MM	1	1	1	
E-19	26	HPD1-90231-014	NUT-WASHER, 5MM	7	7	7	
E-19	27	HCO-94001-06080-0S	NUT, HEX., 6MM	1	1	1	

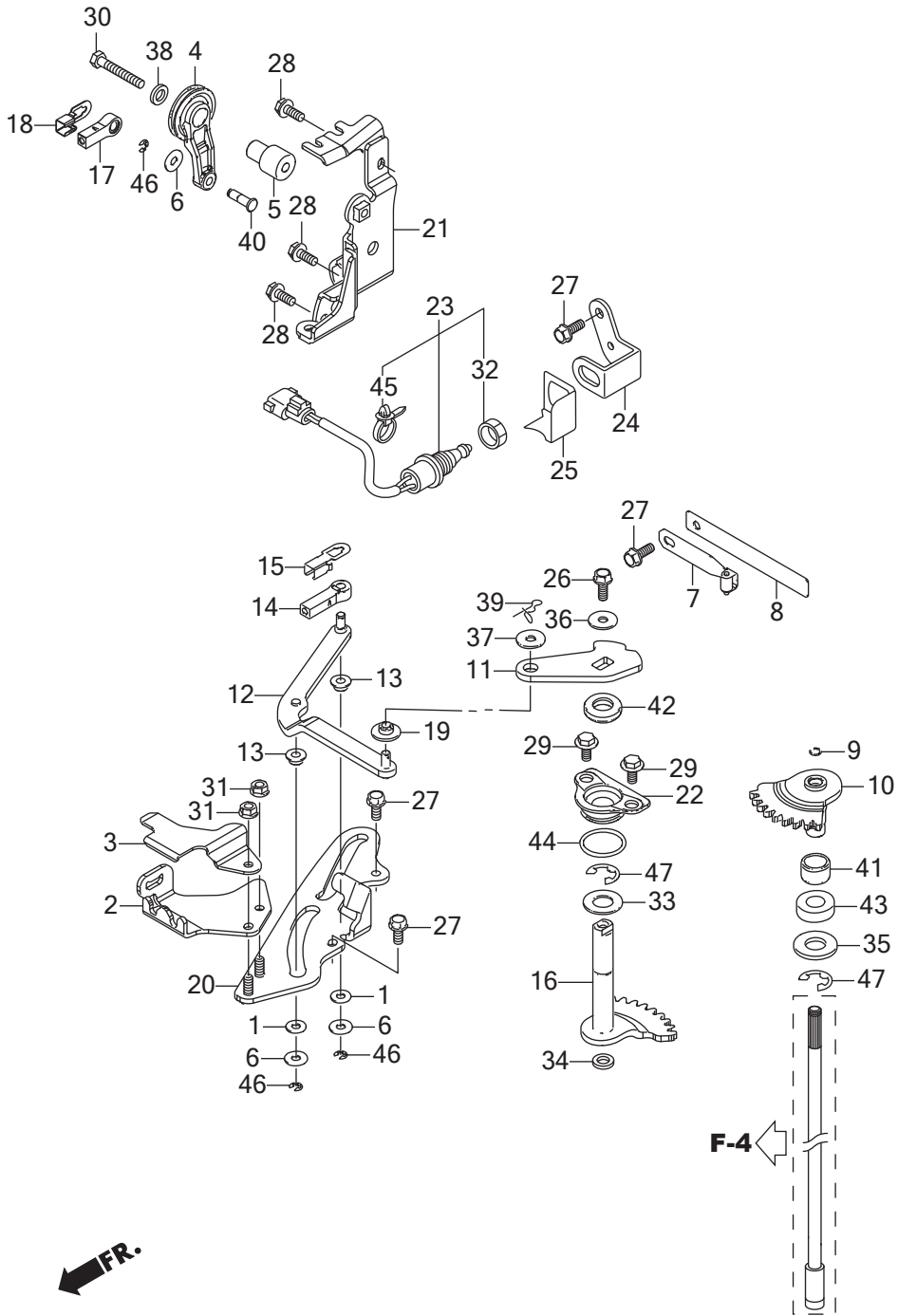




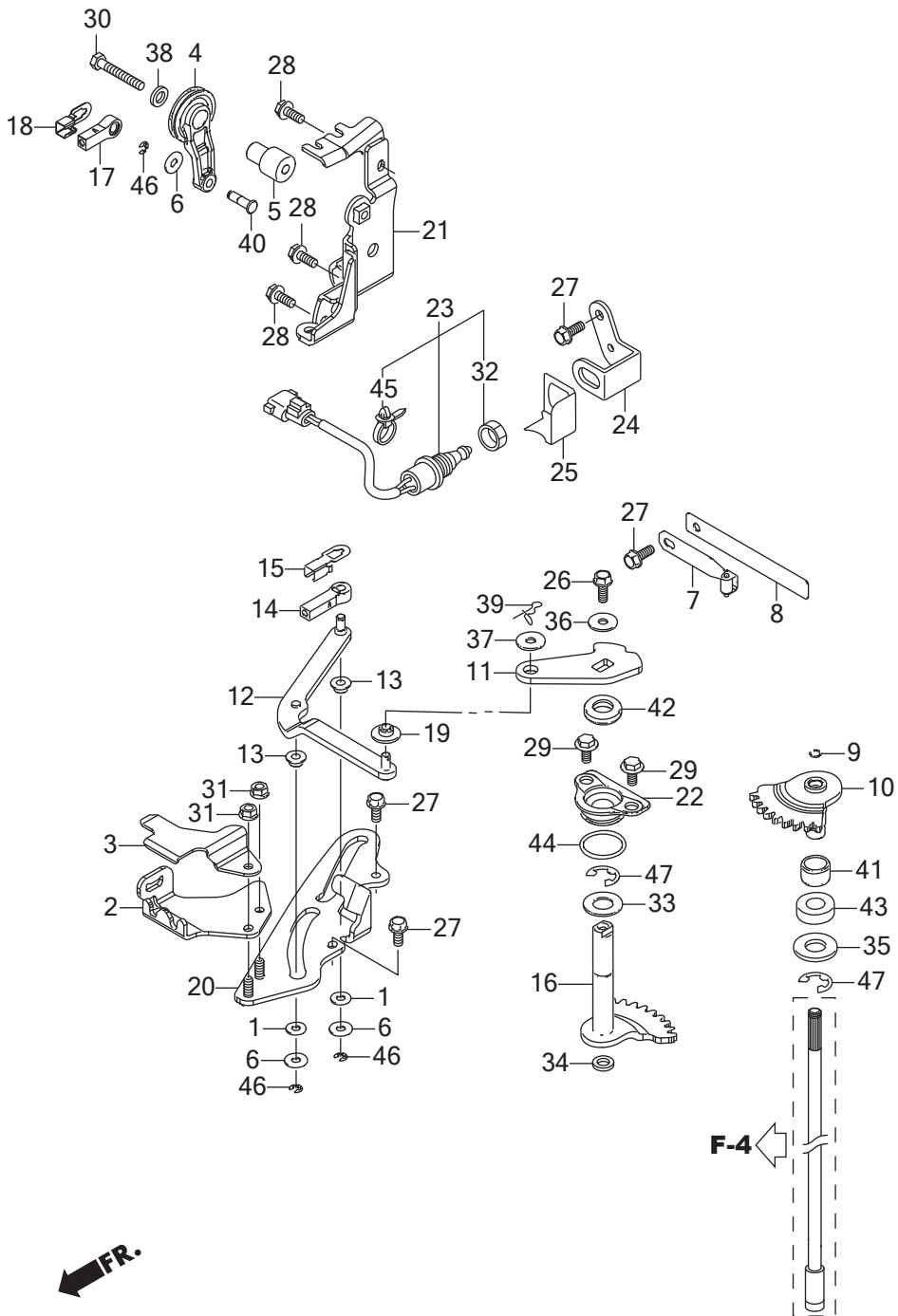


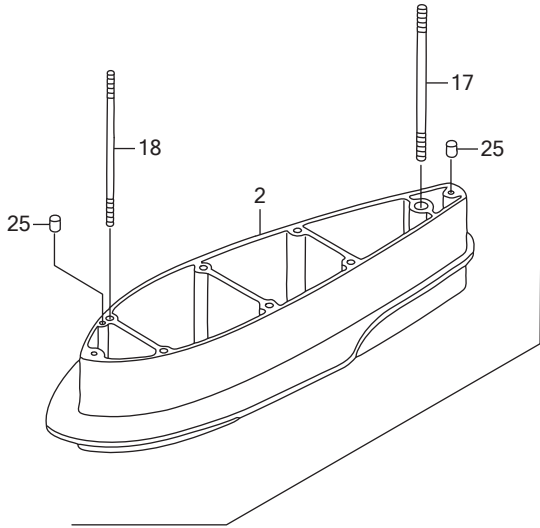
FR.

Ref.No.	Part No.	Description	Q' ty			Remarks	
			BFT200D	BFT225D	BFT250D		
E-21	1	HZY3-31200-003	MOTOR ASSY., STARTER	1	1	1	
E-21	2	HP5A-31201-005	ROTOR COMP.	1	1	1	
E-21	3	HZY9-31207-H01	CLUTCH COMP., OVERRUNNING	1	1	1	
E-21	4	HPY3-31215-004	GEAR ASSY., PLANETARY	3	3	3	
E-21	5	HZY3-31216-003	YOKE COMP.	1	1	1	
E-21	6	HPY3-31218-004	BALL, STEEL	1	1	1	
E-21	7	HZY3-31226-003	BRUSH SET	1	1	1	
E-21	8	HZY9-31226-H01	SCREW, PAN, 6X22	2	2	2	
E-21	9	HZY9-31229-H01	STOPPER SET, SLEEVE	1	1	1	
E-21	10	HZY3-31232-003	HOLDER COMP., BRUSH	1	1	1	
E-21	11	HZY3-31235-003	BRACKET, FR.	1	1	1	
E-21	12	HZY3-31236-003	BRACKET, RR.	1	1	1	
E-21	13	HZY3-31241-003	SWITCH ASSY., MAGNET	1	1	1	
E-21	14	HP5A-31243-005	BOLT A, THROUGH	2	2	2	
E-21	15	HZY3-31243-003	SHAFT ASSY., CLUTCH	1	1	1	
E-21	16	HZY9-31246-H01	SHAFT ASSY., GEAR	1	1	1	
E-21	17	HZY3-31250-003	LEVER SET	1	1	1	
E-21	18	HZY3-31251-003	GEAR ASSY., INTERNAL	1	1	1	
E-21	19	HZVL-90003-000	BOLT, FLANGE, 10X110	1	1	1	
E-21	20	HZVL-90005-000	BOLT, FLANGE, 10X90	1	1	1	
E-21	21	HZW1-90107-004	SCREW, PAN, 5X8	2	2	2	
E-21	22	HZY3-91303-000	O-RING, 59.4X3.1	1	1	1	

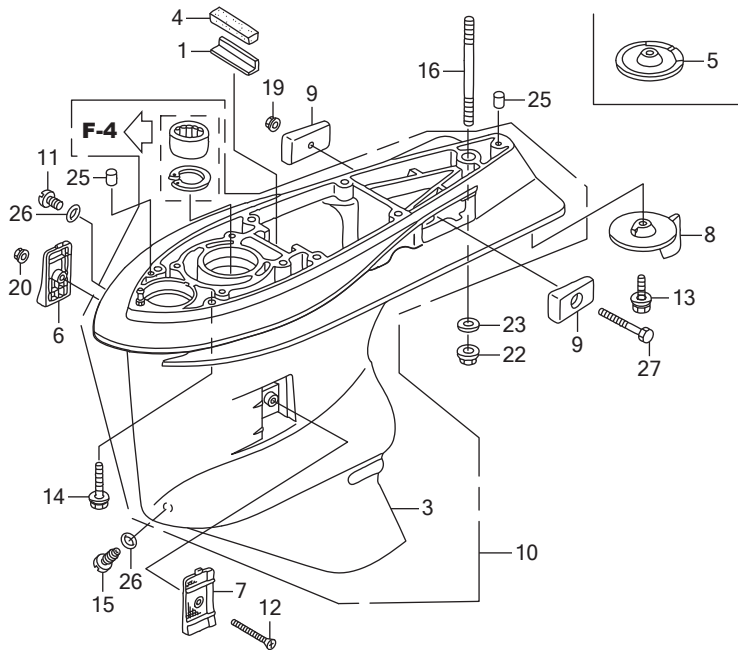


Ref.No.	Part No.	Description	Q' ty			Remarks	
			BFT200D	BFT225D	BFT250D		
F-2	1	HKN5-17224-670	WASHER, AIR CLEANER COVER SETTING	2	2	2	
F-2	2	HZVL-17877-900	PLATE, REMOTE CONTROL CABLE	1	1	1	
F-2	3	HZVL-17878-900	COVER, REMOTE CONTROL CABLE	1	1	1	
F-2	4	HZY3-17931-000	ARM, THROTTLE	1	1	1	
F-2	5	HZVL-17932-900	SHAFT, THROTTLE ARM	1	1	1	
F-2	6	H921-17936-000	WASHER, PIVOT	3	3	3	
F-2	7	HZW1-24210-010	SPRING COMP., CLICK	1	1	1	
F-2	8	HZY3-24221-000	SPRING, CLICK ASSIST	1	1	1	
F-2	9	HZW1-24327-000	RING, STOPPER	1	1	1	
F-2	10	HZY3-24610-A00	SHAFT COMP., SHIFT(A)	1	1	1	
F-2	11	HZVL-24612-900	ARM, SHIFT(MECH)	1	1	1	
F-2	12	HZVL-24613-900	ROD COMP., LINK(MECH)	1	1	1	
F-2	13	HZY3-24617-000	COLLAR, SHIFT SLIDER	2	2	2	
F-2	14	HZY3-24618-000	PIVOT, SHIFT	1	1	1	
F-2	15	HZY3-24619-000	PLATE, LOCK	1	1	1	
F-2	16	HZY3-24620-000	SHAFT COMP., SHIFT(B)	1	1	1	
F-2	17	HZVL-24621-000	PIVOT, THROTTLE	1	1	1	
F-2	18	HZVL-24622-000	PLATE, LOCK	1	1	1	
F-2	19	HZY3-24623-000	BUSH, SHIFT ARM	1	1	1	
F-2	20	HZVL-24627-900	GUIDE, SHIFT LINK(MECH)	1	1	1	
F-2	21	HZVL-24628-900	BRACKET, SHIFT LINK(MECH)	1	1	1	
F-2	22	HZW1-24629-000	HOLDER, SEAL	1	1	1	
F-2	23	HZX2-35470-013	SWITCH ASSY., NEUTRAL	1	1	1	
F-2	24	HZY3-35476-010	BRACKET, NEUTRAL SWITCH	1	1	1	
F-2	25	HZVL-35477-000	COVER, NEUTRAL SWITCH	1	1	1	
F-2	26	HZZ5-90017-M00	BOLT, FLANGE, 6X16	1	1	1	
F-2	27	HZZ5-90021-M00	BOLT, FLANGE, 6X14	4	4	4	
F-2	28	HZX2-90101-C00	BOLT-WASHER, 6X16	3	3	3	
F-2	29	HZZ0-90101-M00	BOLT, FLANGE, 6X11	2	2	2	



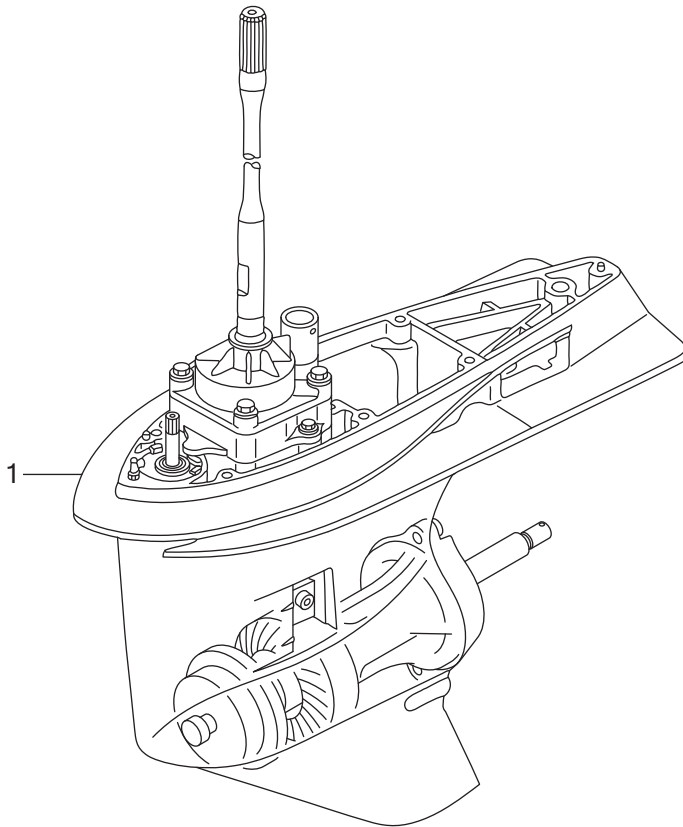


- 24 — [nut]
- 21 — [nut]

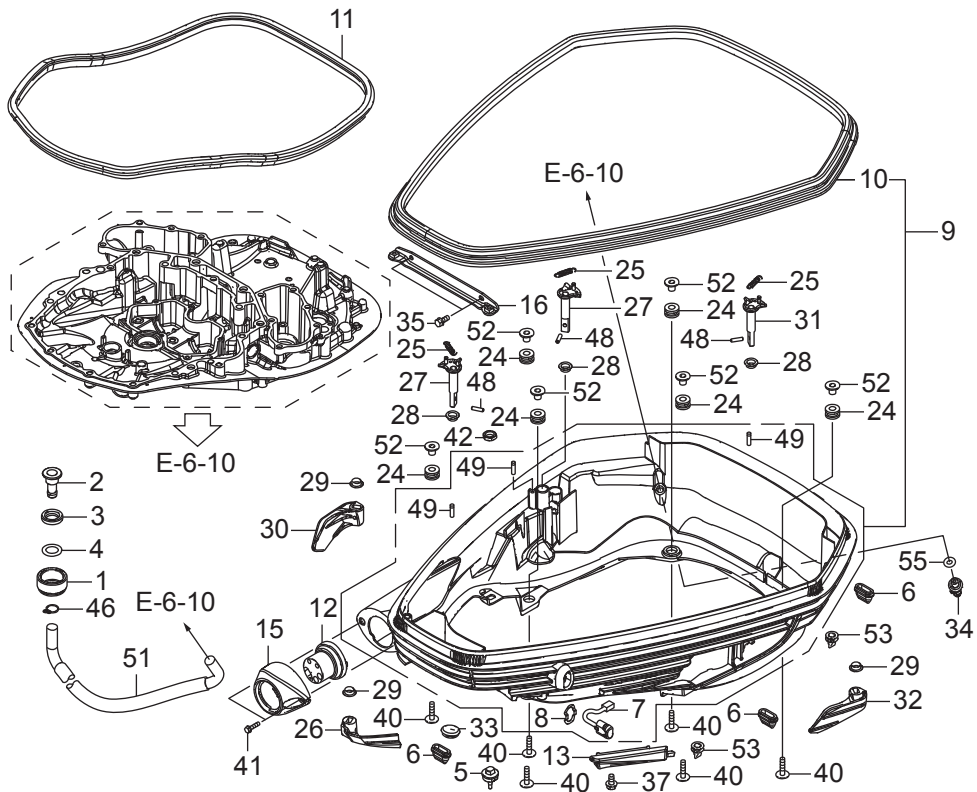


FR.

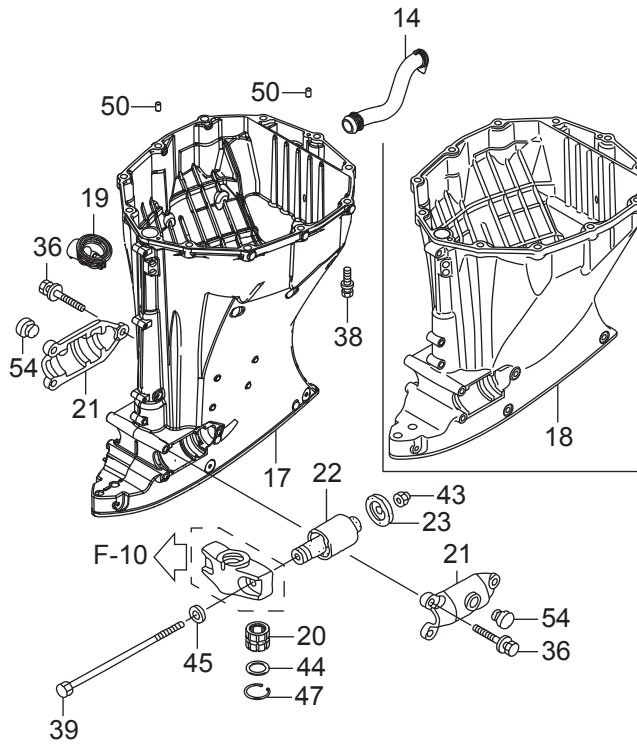
Ref.No.	Part No.	Description	Q' ty			Remarks	
			BFT200D	BFT225D	BFT250D		
F-3	1	HZW1-19286-B00	PLATE, RUBBER SETTING	1	1	1	
F-3	2	HZY3-40202-621ZC	SEPARATOR, EXTENSION	-	-	1	*T107* BAY BLUE UCRA,URA
F-3	3	HZX2-41101-C01ZC	CASE, GEAR	1	1	1	*T107* BAY BLUE
F-3	4	HZW1-41102-B00	GROMMET, GEAR CASE	1	1	1	
F-3	5	HZX2-41102-E00ZC	COVER, GEAR CASE	1	1	1	*T107* BAY BLUE UCRA,XCRA
F-3	6	HZY3-41104-C01	SCREEN, R. WATER	1	1	1	
F-3	7	HZY3-41105-C01	SCREEN, L. WATER	1	1	1	
F-3	8	HZX2-41107-C00ZC	TAB, TRIM	1	1	1	*T107* BAY BLUE LRA,URA,XRA
F-3	9	HZW1-41109-B00	METAL COMP., ANODE	2	2	2	
F-3	10	HZX2-41110-305ZB	CASE COMP., GEAR	1	1	1	*T107* BAY BLUE
F-3	11	HZW9-90101-003	BOLT, OIL CHECK	1	1	1	
F-3	12	HZZ0-90101-000	SCREW, FLAT, 5X55	1	1	1	
F-3	13	HZY6-90103-000	BOLT-WASHER, 10X32	1	1	1	
F-3	14	HZX2-90107-C00	BOLT-WASHER, 10X47	6	6	6	LRA,XCRA,XRA
F-3	15	HZY3-90120-000	BOLT, DRAIN PLUG	1	1	1	
F-3	16	HZY3-90124-000	BOLT, STUD, 12X40	1	1	1	LRA,XCRA,XRA
F-3	17	HZY3-90130-620	BOLT, STUD, 12X170	-	-	1	UCRA,URA
F-3	18	HZY3-90131-620	BOLT, STUD, 10X170	-	-	6	UCRA,URA
F-3	19	HZY1-90205-000	NUT, SELF-LOCK, 6MM	1	1	1	
F-3	20	HZV4-90302-000	NUT, SELF-LOCK, 5MM	1	1	1	
F-3	21	HZV5-90306-003	NUT, SELF-LOCK, 10MM	-	-	6	UCRA,URA
F-3	22	HZW1-90308-003	NUT, SELF-LOCK, 12MM	1	1	1	
F-3	23	HZV5-90559-000	WASHER, PLAIN, 12MM	1	1	1	
F-3	24	HZV5-90563-000	WASHER, PLAIN, 10MM	-	-	6	UCRA,URA
F-3	25	HZV5-90756-000	DOWEL PIN, 6X10	2	2	2	LRA,XCRA,XRA
F-3	25	HZV5-90756-000	DOWEL PIN, 6X10	-	-	4	UCRA,URA
F-3	26	HZW4-91301-003	O-RING, 6.9X1.45	2	2	2	
F-3	27	HCO-92101-06055-4J	BOLT, HEX., 6X55	1	1	1	



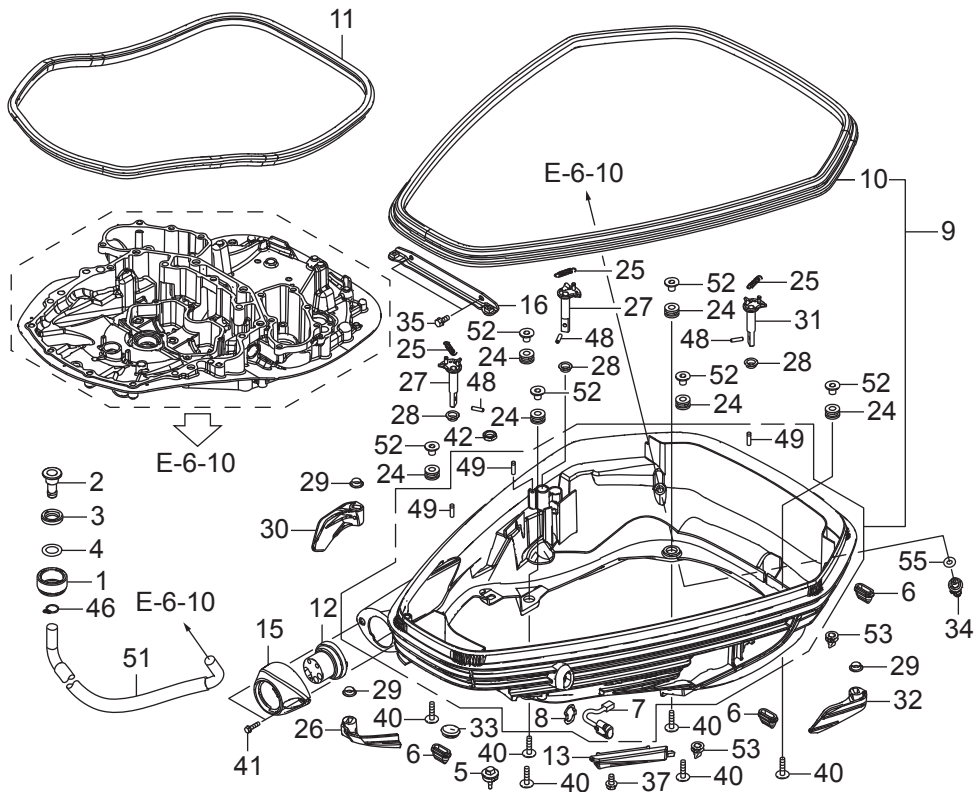
←FR.



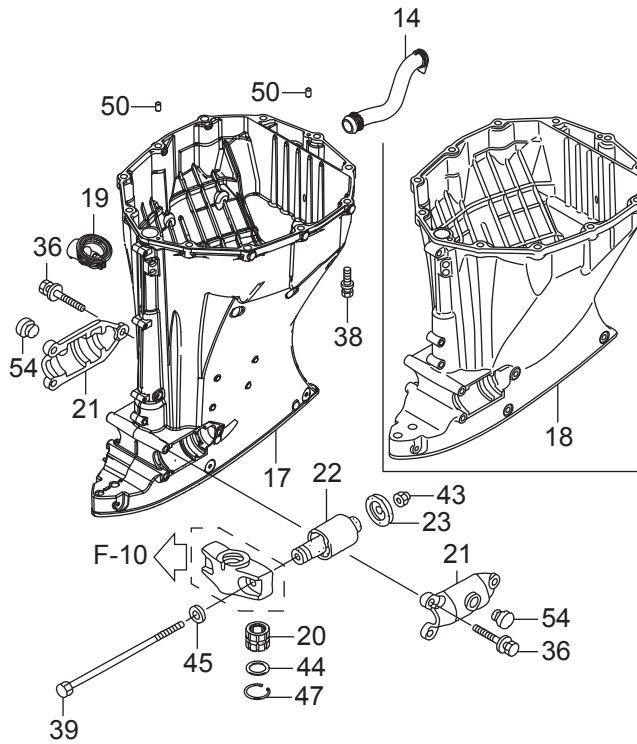
FR.



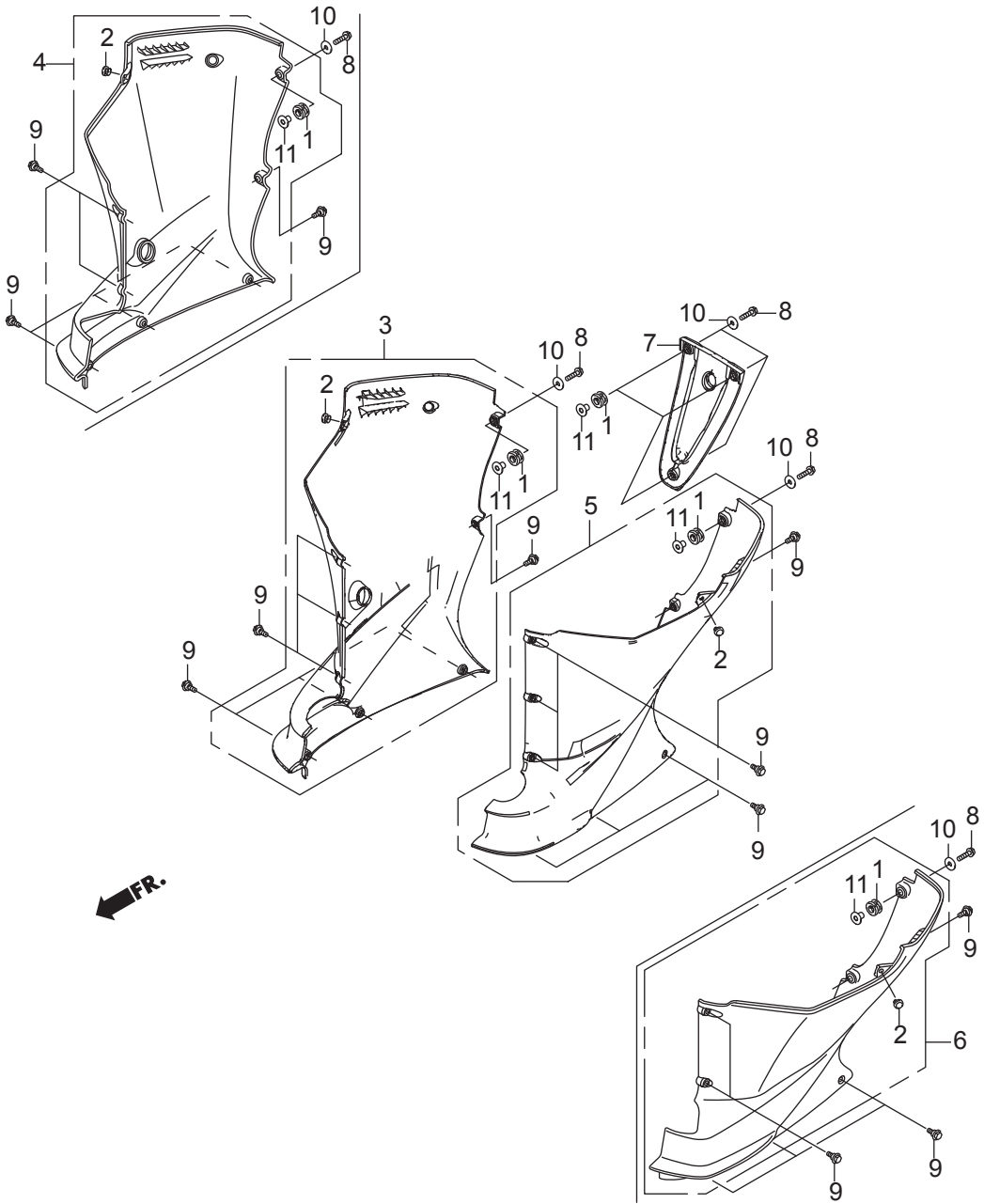
Ref.No.	Part No.	Description	Q'ty			Remarks	
			BFT200D	BFT225D	BFT250D		
F-3-20	1	HZY3-19270-000	NUT, WATER MOUTH	1	1	1	
F-3-20	2	HZY3-19271-000	JOINT, WATER HOSE	1	1	1	
F-3-20	3	HZY3-19272-000	SEAT, WATER MOUTH	1	1	1	
F-3-20	4	HZVL-19274-000	SEAT, WATER JOINT	1	1	1	
F-3-20	5	HZY3-19289-000	CAP, WATER JOINT	1	1	1	
F-3-20	6	HZY3-23173-010	RUBBER, MOUNT CASE SEAL	3	3	3	
F-3-20	7	HZY3-35640-013	SWITCH ASSY., POWER TILT	1	1	1	
F-3-20	8	HZY9-35645-000	STAY, POWER TILT SWITCH	1	1	1	
F-3-20	9	HZVL-40100-000	CASE ASSY., ENGINE UNDER	1	1	1	
F-3-20	10	HZVL-40102-000	SEAL A, UNDER CASE	1	1	1	
F-3-20	11	HZVL-40103-000	SEAL B, UNDER CASE	1	1	1	
F-3-20	12	HZVL-40105-900	GROMMET, UNDER CASE(MECH)	1	1	1	
F-3-20	13	HZVL-40110-000	STAY COMP., HARNESS	1	1	1	
F-3-20	14	HZVL-40116-000	PORT, IDLE EXHAUST	1	1	1	
F-3-20	15	HZVL-40151-000	COVER, SEPARATE	1	1	1	
F-3-20	16	HZVL-40154-000	BRACKET, UNDER CASE FR.	1	1	1	
F-3-20	17	HZVL-40201-000	CASE, EXTENSION(XL)	1	1	1	UCRA,URA,XCRA,XRA
F-3-20	18	HZVL-40201-900	CASE, EXTENSION(L)	1	1	1	LRA
F-3-20	19	HZVL-40209-000	RUBBER, DRAIN PLUG	1	1	1	
F-3-20	20	HZY3-40210-610	BUSH COMP., VERTICAL SHAFT	1	1	1	UCRA,URA,XCRA,XRA
F-3-20	21	HZY3-50111-020	HOUSING, LOWER MOUNTING	2	2	2	
F-3-20	22	HZY3-50155-000	MOUNT COMP., LOWER RUBBER	2	2	2	
F-3-20	23	HZY3-50157-010	STOPPER, LOWER MOUNT	2	2	2	
F-3-20	24	H121-51640-730	RUBBER, FR. CARRIER CUSHION	6	6	6	
F-3-20	25	HZVL-63119-000	SPRING, LEVER RETURN	3	3	3	
F-3-20	26	HZVL-63210-000	LEVER, COVER LOCK FR.	1	1	1	
F-3-20	27	HZVL-63212-000	HOOK COMP., COVER LOCK R.	2	2	2	
F-3-20	28	HZVL-63213-000	COLLAR A, COVER LOCK	3	3	3	
F-3-20	29	HZVL-63214-000	COLLAR B, COVER LOCK	3	3	3	

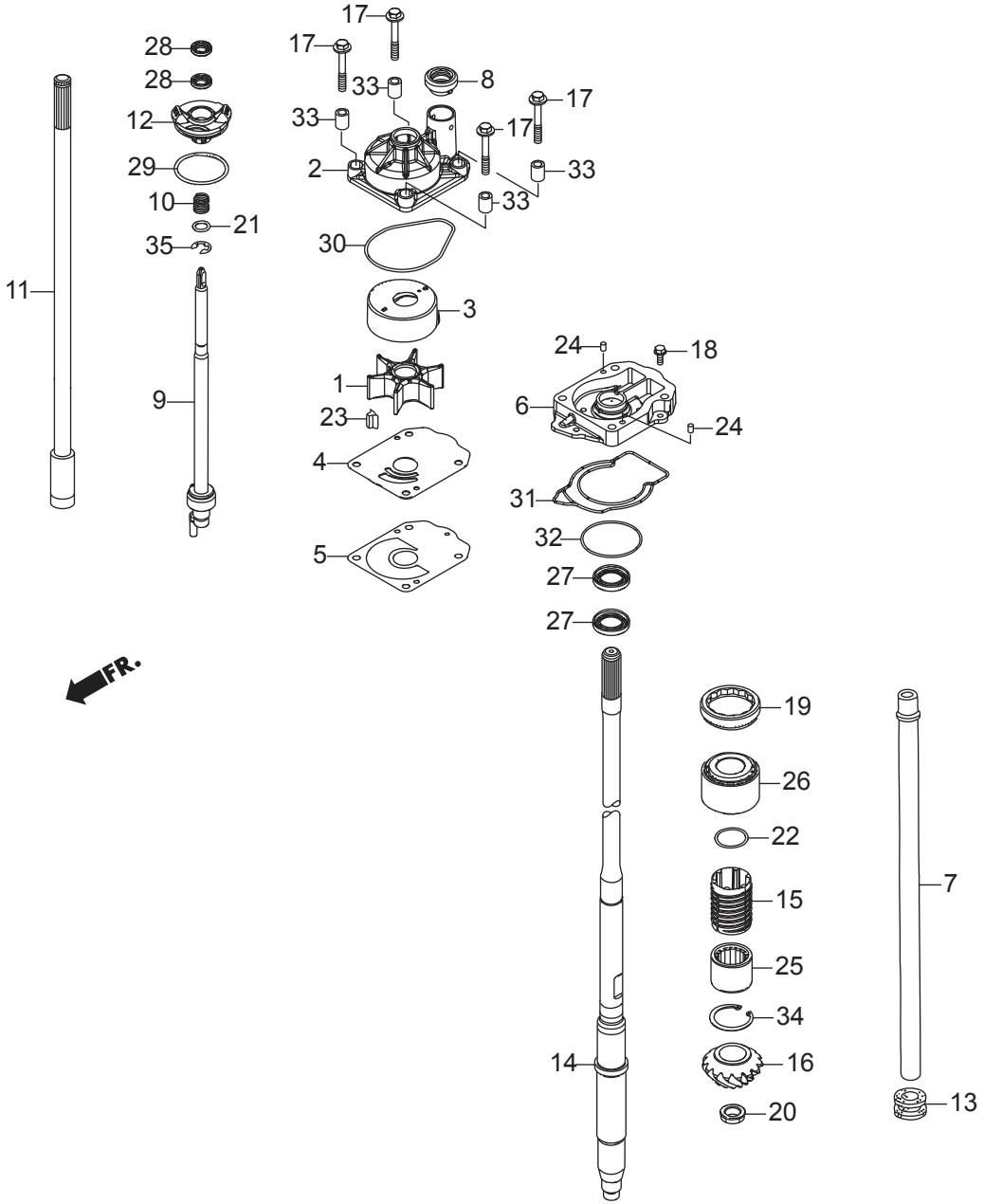


FR.

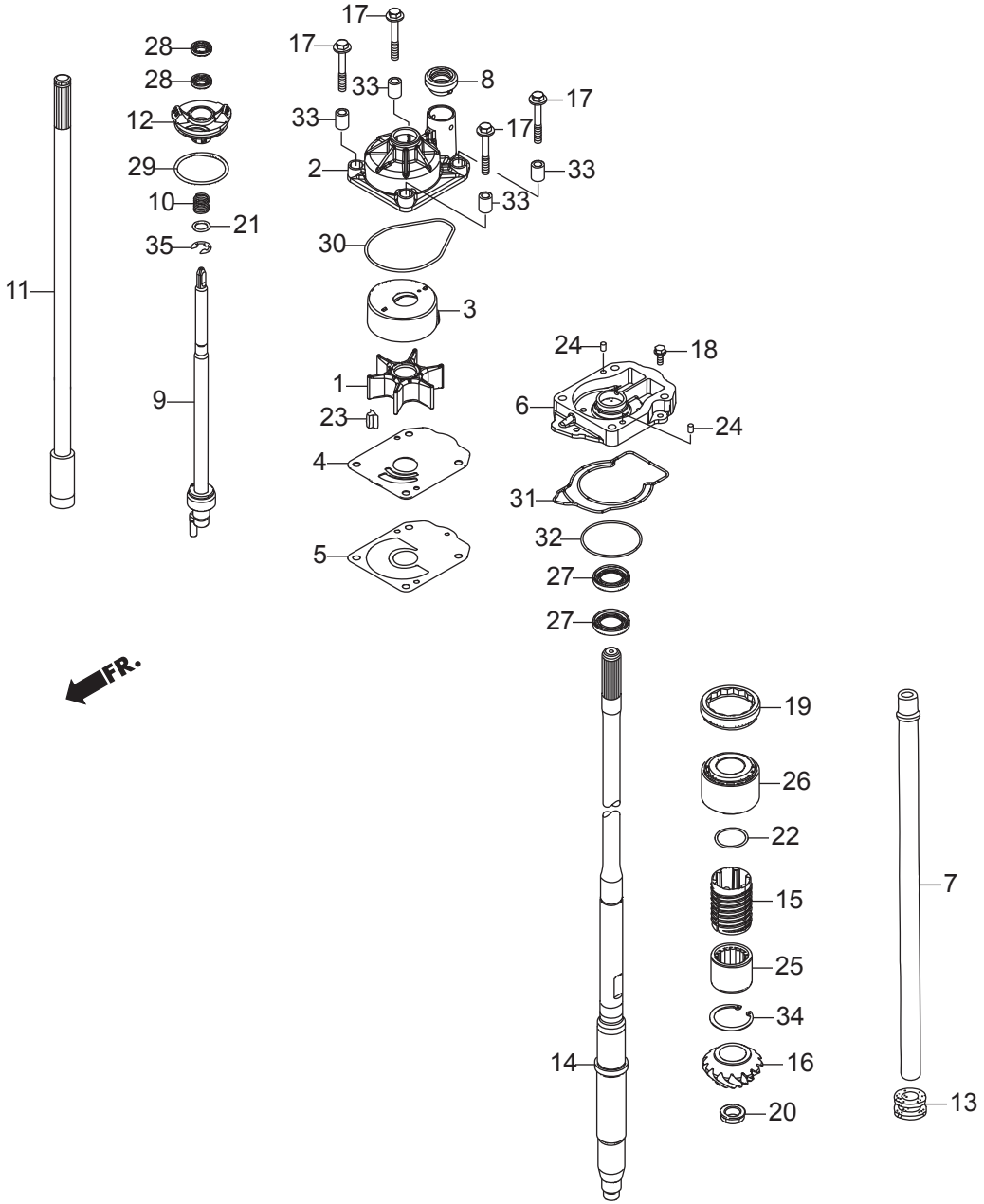


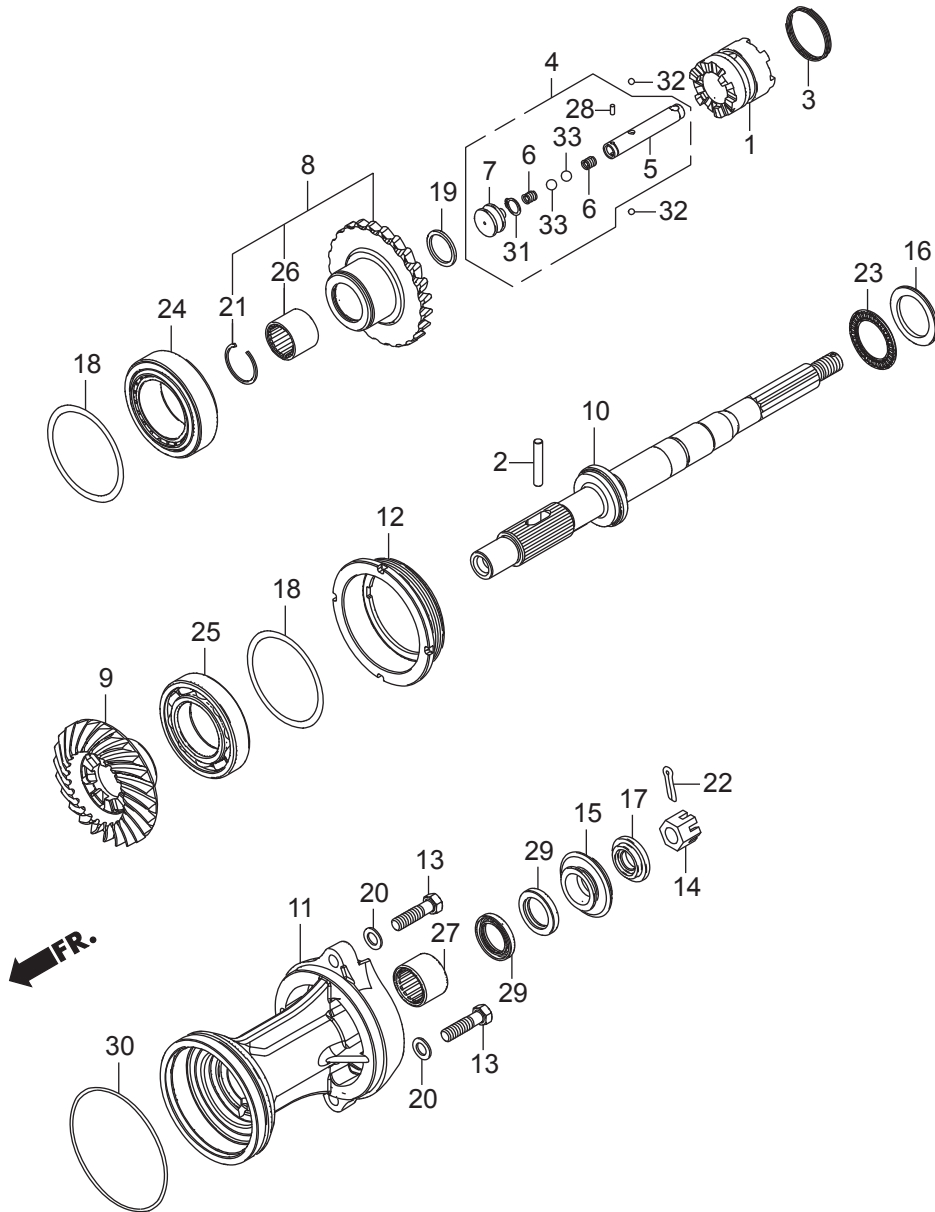
Ref.No.	Part No.	Description	Q' ty			Remarks	
			BFT200D	BFT225D	BFT250D		
F-3-20	30	HZVL-63220-000	LEVER, COVER LOCK R.	1	1	1	
F-3-20	31	HZVL-63222-000	HOOK COMP., COVER LOCK L.	1	1	1	
F-3-20	32	HZVL-63230-000	LEVER, COVER LOCK L.	1	1	1	
F-3-20	33	HZC0-63515-700	CAP, L. SIDE COVER	1	1	1	
F-3-20	34	HZVL-82873-000	GROMMET, WATER CHECK	1	1	1	
F-3-20	35	HZZ5-90051-M00	BOLT, FLANGE, 8X18	2	2	2	
F-3-20	36	HZVL-90102-000	BOLT-WASHER, 10X35	6	6	6	
F-3-20	37	HZW9-90102-000	BOLT, FLANGE, 6X12	1	1	1	
F-3-20	38	HZVL-90103-000	BOLT-WASHER, 12X50	11	11	11	
F-3-20	39	HZY3-90105-010	BOLT, HEX., 14X180	2	2	2	
F-3-20	40	HZVL-90107-000	BOLT-WASHER, 8X35	6	6	6	
F-3-20	41	HZVL-90109-000	BOLT, FLANGE, 6X25	2	2	2	
F-3-20	42	H921-90302-000	NUT, HEX., 16MM	1	1	1	
F-3-20	43	HZY3-90302-000	NUT, SELF-LOCK, 14MM	2	2	2	
F-3-20	44	HZY3-90503-610	WASHER, 30MM	1	1	1	UCRA,URA,XCRA,XRA
F-3-20	45	HZY3-90511-000	WASHER, PLAIN, 14MM	2	2	2	
F-3-20	46	HZV4-90605-000	CLIP, TUBE(B12.5)	1	1	1	
F-3-20	47	HZY3-90652-000	CIRCLIP, INTERNAL, 43	1	1	1	UCRA,URA,XCRA,XRA
F-3-20	48	HZVL-90751-000	PIN, SPRING, 6X22	3	3	3	
F-3-20	49	HZVL-90752-000	PIN, LOCK SPRING	3	3	3	
F-3-20	50	HZV5-90756-000	DOWEL PIN, 6X10	2	2	2	
F-3-20	51	HZVL-91451-000	TUBE, WATER JOINT	1	1	1	
F-3-20	52	HZY9-91504-M00	COLLAR, 8.5X14.5	6	6	6	
F-3-20	53	HZZ0-91601-M00	GROMMET, 1WAY	2	2	2	
F-3-20	54	HCO-95011-63000	RUBBER C, STAND STOPPER	2	2	2	
F-3-20	55	HGHB-16075-830	O-RING, 1.9X10	1	1	1	



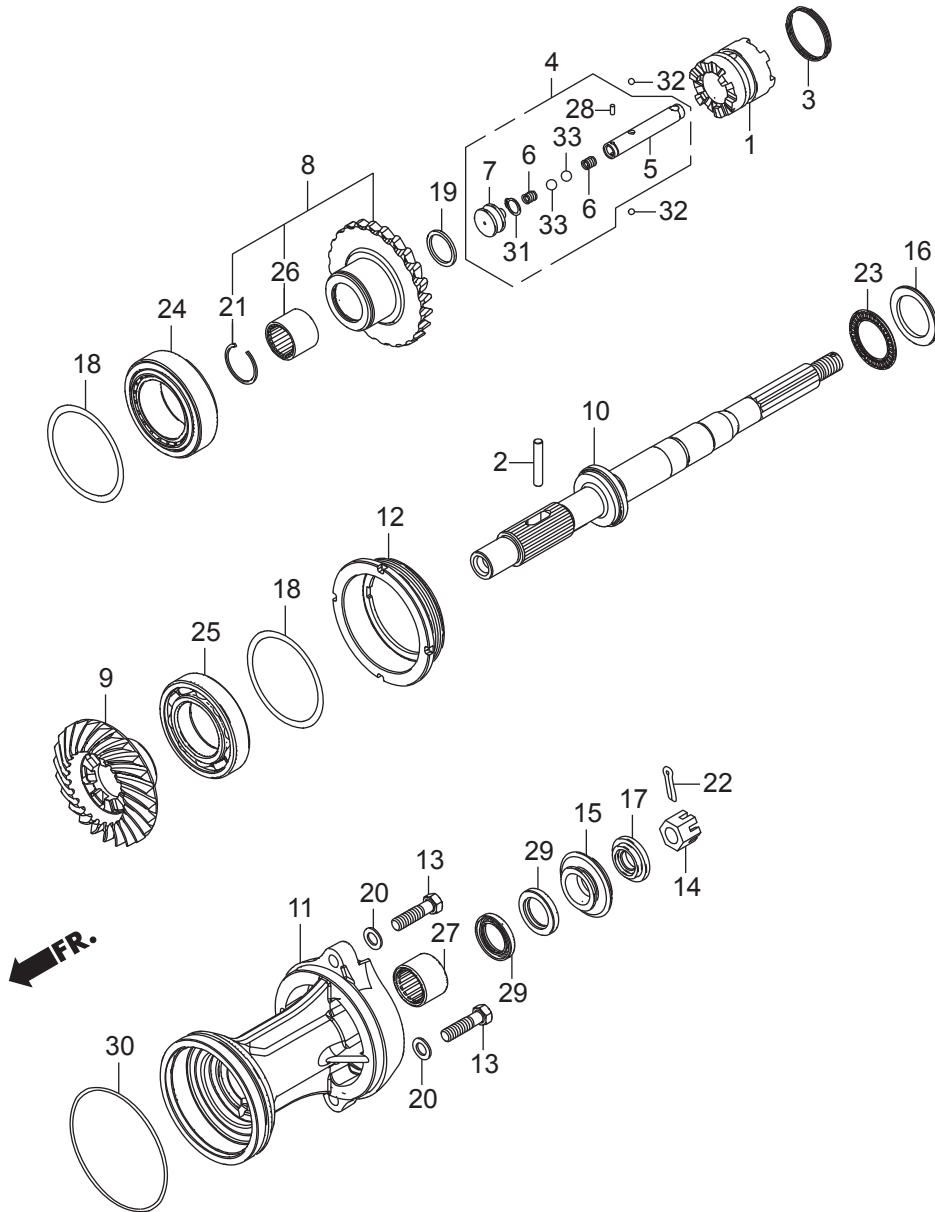


Ref.No.	Part No.	Description	Q' ty			Remarks	
			BFT200D	BFT225D	BFT250D		
F-4	1	HZY3-19210-003	IMPELLER, PUMP	1	1	1	
F-4	2	HZY3-19221-010	HOUSING, IMPELLER	1	1	1	
F-4	3	HZY3-19223-000	LINER, PUMP	1	1	1	
F-4	4	HZY3-19231-000	COVER, IMPELLER	1	1	1	
F-4	5	HZX2-19234-C00	GASKET B, IMPELLER	1	1	1	
F-4	6	HZVL-19241-000	HOUSING, WATER PUMP	1	1	1	
F-4	7	HZY3-19251-000	TUBE, WATER(L)	1	1	1	LRA
F-4	7	HZY3-19251-611	TUBE, WATER(XL)	1	1	1	XCRA,XRA
F-4	7	HZY3-19251-621	TUBE, WATER(XXL)	-	-	1	UCRA,URA
F-4	8	HZY3-19253-000	RING, WATER TUBE SEAL	1	1	1	
F-4	9	HZY3-24310-C00	ROD COMP., SHIFT	1	1	1	LRA,URA,XRA
F-4	9	HZY3-24310-E00	ROD COMP., SHIFT	1	1	1	(COUNTER ROTATION) UCRA,XCRA
F-4	10	HZY3-24318-000	SPRING, SHIFT ROD	1	1	1	
F-4	11	HZY6-24320-000	ROD COMP. A, SHIFT(L)	1	1	1	LRA
F-4	11	HZY6-24320-610	ROD COMP. A, SHIFT(XL)	1	1	1	XCRA,XRA
F-4	11	HZY3-24320-A20	ROD COMP. A, SHIFT(XXL)	-	-	1	UCRA,URA
F-4	12	HZW1-24343-B02	HOLDER, SHIFT ROD	1	1	1	
F-4	13	HZY3-40204-000	GROMMET, EXTENSION CASE	1	1	1	
F-4	14	HZX2-41112-C00	SHAFT, VERTICAL(L)	1	1	1	LRA
F-4	14	HZX2-41112-C10	SHAFT, VERTICAL(XL)	1	1	1	XCRA,XRA
F-4	14	HZX2-41112-C20	SHAFT, VERTICAL(XXL)	-	-	1	UCRA,URA
F-4	15	HZY3-41116-000	SLINGER, OIL	1	1	1	
F-4	16	HZX2-41131-C00	GEAR, PINION	1	1	1	LRA,URA,XRA
F-4	16	HZX2-41131-E00	GEAR, PINION(COUNTER ROTATION)	1	1	1	UCRA,XCRA
F-4	17	HZX2-90105-C00	BOLT-WASHER, 8X60	4	4	4	
F-4	18	HHW1-90215-671	BOLT, FLANGE, 6X16	1	1	1	
F-4	19	HZX2-90301-C00	NUT, LOCK, 68MM	1	1	1	
F-4	20	HZX2-90303-C00	NUT, HEX., 18MM	1	1	1	
F-4	21	H723-90472-000	WASHER, PLAIN, 12MM	1	1	1	



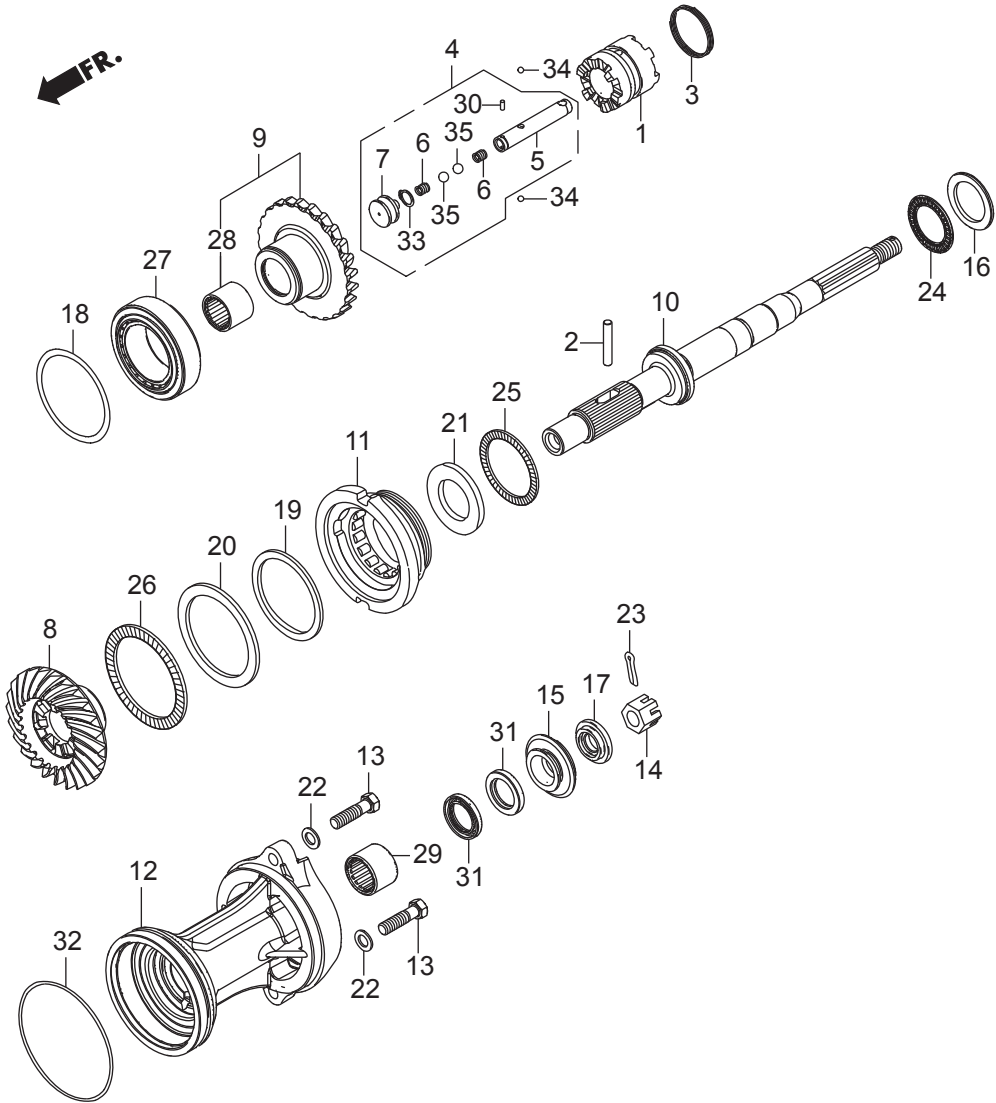


Ref.No.	Part No.	Description	Q' ty			Remarks	
			BFT200D	BFT225D	BFT250D		
F-5	1	HZX2-24101-C00	SHIFTER, CLUTCH	1	1	1	LRA,URA,XRA
F-5	2	HZY3-24102-000	PIN, SHIFTER, 8X50	1	1	1	LRA,URA,XRA
F-5	3	HZY3-24103-000	RING, CROSS PIN	1	1	1	LRA,URA,XRA
F-5	4	HZY3-24113-A01	SLIDER COMP., SHIFT	1	1	1	LRA,URA,XRA
F-5	5	HZY3-24122-A01	SLIDER, SHIFT	1	1	1	LRA,URA,XRA
F-5	6	HZY3-24123-000	SPRING, SHIFT	2	2	2	LRA,URA,XRA
F-5	7	HZY3-24124-310	PLATE, SHIFT	1	1	1	LRA,URA,XRA
F-5	8	HZX2-41140-C00	GEAR COMP., BEVEL(FORWARD) (24T)	1	1	1	LRA,URA,XRA
F-5	9	HZX2-41151-C00	GEAR, BEVEL(REVERSE)(24T)	1	1	1	LRA,URA,XRA
F-5	10	HZX2-41161-C00	SHAFT, PROPELLER	1	1	1	LRA,URA,XRA
F-5	11	HZVL-41201-000ZA	HOLDER, PROPELLER SHAFT	1	1	1	*T107* BAY B LUE LRA,URA,XRA
F-5	12	HZX2-41202-C00	HOLDER, BEARING	1	1	1	LRA,URA,XRA
F-5	13	HZY3-90123-000	BOLT, HEX., 12X45	2	2	2	LRA,URA,XRA
F-5	14	HZW1-90301-B00	NUT, CASTLE, 18MM	1	1	1	LRA,URA,XRA
F-5	15	HZX2-90506-C00	WASHER, PROPELLER THRUST	1	1	1	LRA,URA,XRA
F-5	16	HZW5-90509-711	WASHER, THRUST BEARING	1	1	1	LRA,URA,XRA
F-5	17	HZX2-90512-C00	WASHER, PROPELLER	1	1	1	LRA,URA,XRA
F-5	18	HZX2-90528-C00	SHIM A, BEVEL(0.10)	2	2	2	LRA,URA,XRA
F-5	18	HZX2-90529-C00	SHIM B, BEVEL(0.15)	2	2	2	LRA,URA,XRA
F-5	18	HZX2-90530-C00	SHIM C, BEVEL(0.30)	2	2	2	LRA,URA,XRA
F-5	18	HZX2-90531-C00	SHIM D, BEVEL(0.50)	2	2	2	LRA,URA,XRA
F-5	19	HZY3-90548-000	SHIM A, THRUST(2.75)	1	1	1	LRA,URA,XRA
F-5	19	HZY3-90549-000	SHIM B, THRUST(2.80)	1	1	1	LRA,URA,XRA
F-5	19	HZY3-90550-000	SHIM C, THRUST(2.85)	1	1	1	LRA,URA,XRA
F-5	19	HZY3-90551-000	SHIM D, THRUST(2.90)	1	1	1	LRA,URA,XRA
F-5	19	HZY3-90552-000	SHIM E, THRUST(2.95)	1	1	1	LRA,URA,XRA
F-5	19	HZY3-90553-000	SHIM F, THRUST(3.00)	1	1	1	LRA,URA,XRA
F-5	19	HZY3-90554-000	SHIM G, THRUST(3.05)	1	1	1	LRA,URA,XRA
F-5	19	HZY3-90555-000	SHIM H, THRUST(3.10)	1	1	1	LRA,URA,XRA



F-5-1

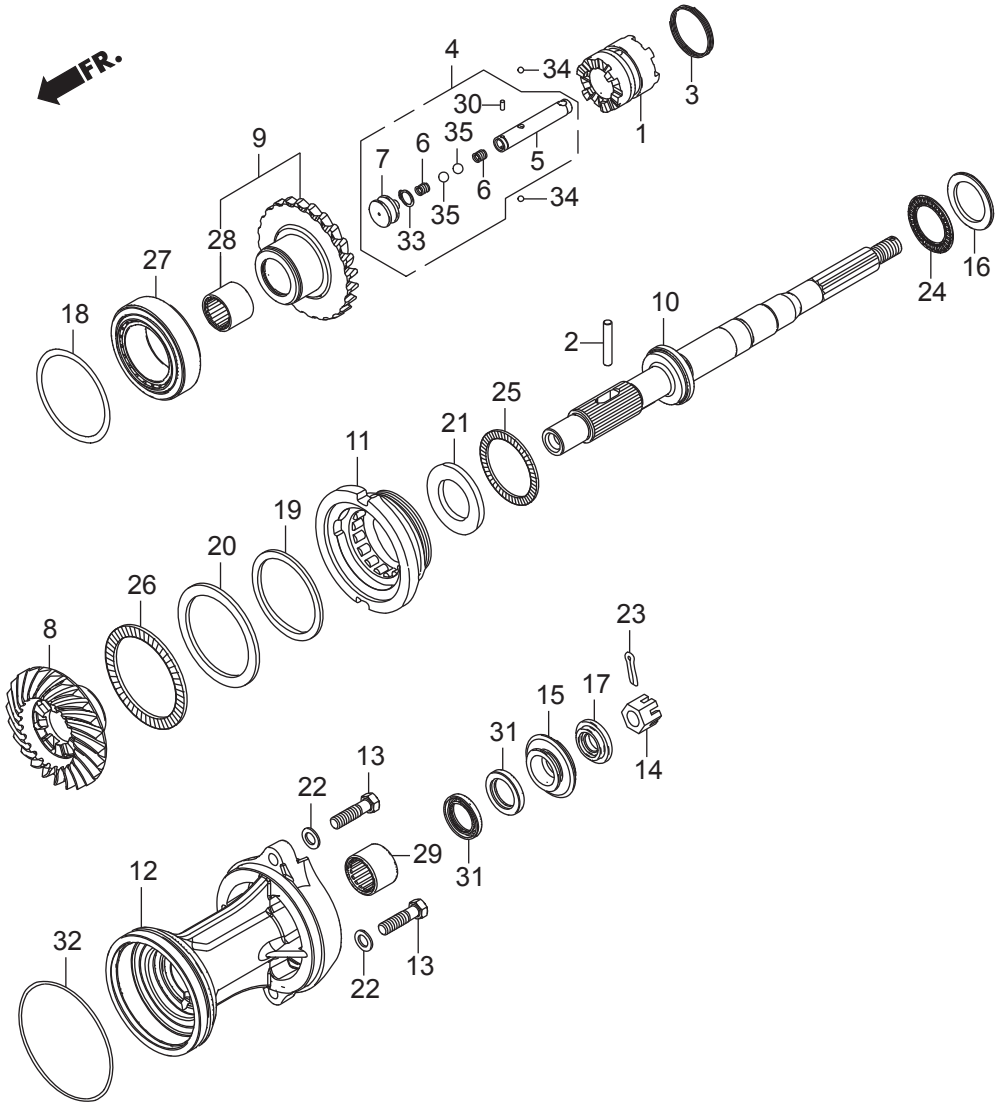
PROPELLER SHAFT
(COUNTER ROTATION)

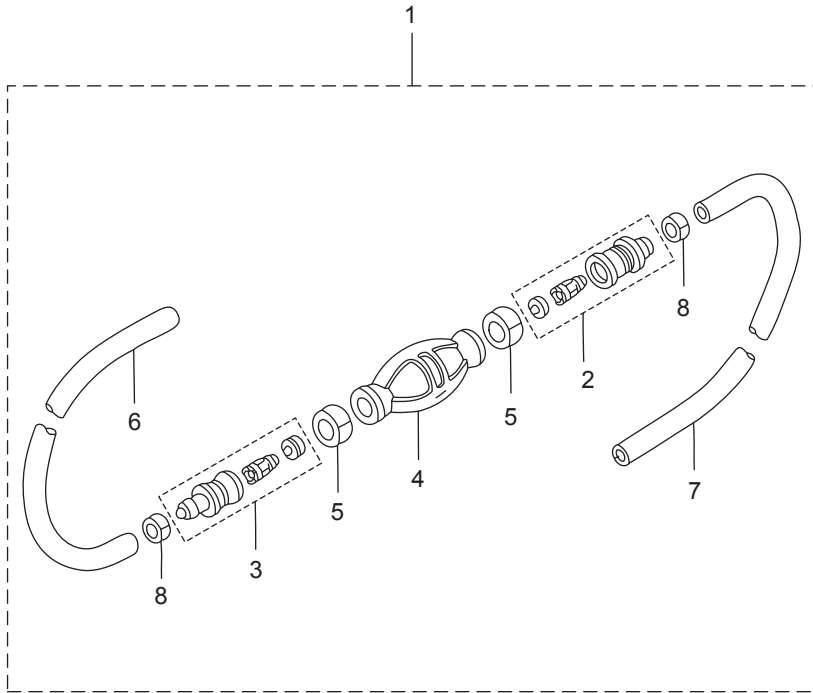


Ref.No.	Part No.	Description	Q' ty			Remarks	
			BFT200D	BFT225D	BFT250D		
F-5-1	1	HZX2-24101-C00	SHIFTER, CLUTCH	1	1	1	UCRA,XCRA
F-5-1	2	HZY3-24102-000	PIN, SHIFTER, 8X50	1	1	1	UCRA,XCRA
F-5-1	3	HZY3-24103-000	RING, CROSS PIN	1	1	1	UCRA,XCRA
F-5-1	4	HZY3-24113-A01	SLIDER COMP., SHIFT	1	1	1	UCRA,XCRA
F-5-1	5	HZY3-24122-A01	SLIDER, SHIFT	1	1	1	UCRA,XCRA
F-5-1	6	HZY3-24123-000	SPRING, SHIFT	2	2	2	UCRA,XCRA
F-5-1	7	HZY3-24124-310	PLATE, SHIFT	1	1	1	UCRA,XCRA
F-5-1	8	HZX2-41141-E00	GEAR, BEVEL(FORWARD)(24T)	1	1	1	(COUNTER ROTATION) UCRA,XCRA
F-5-1	9	HZX2-41150-E00	GEAR COMP., BEVEL(REVERSE)(24T)	1	1	1	(COUNTER ROTATION) UCRA,XCRA
F-5-1	10	HZX2-41161-E00	SHAFT, PROPELLER	1	1	1	UCRA,XCRA
F-5-1	11	HZX2-41200-E00	HOLDER ASSY., BEARING	1	1	1	(COUNTER ROTATION) UCRA,XCRA
F-5-1	12	HZVL-41201-000ZA	HOLDER, PROPELLER SHAFT	1	1	1	*T107*BAY BLUE UCRA,XCRA
F-5-1	13	HZY3-90123-000	BOLT, HEX., 12X45	2	2	2	UCRA,XCRA
F-5-1	14	HZW1-90301-B00	NUT, CASTLE, 18MM	1	1	1	UCRA,XCRA
F-5-1	15	HZX2-90506-C00	WASHER, PROPELLER THRUST	1	1	1	UCRA,XCRA
F-5-1	16	HZW5-90509-711	WASHER, THRUST BEARING	1	1	1	UCRA,XCRA
F-5-1	17	HZX2-90512-C00	WASHER, PROPELLER	1	1	1	UCRA,XCRA
F-5-1	18	HZX2-90528-C00	SHIM A, BEVEL(0.10)	1	1	1	UCRA,XCRA
F-5-1	18	HZX2-90529-C00	SHIM B, BEVEL(0.15)	1	1	1	UCRA,XCRA
F-5-1	18	HZX2-90530-C00	SHIM C, BEVEL(0.30)	1	1	1	UCRA,XCRA
F-5-1	18	HZX2-90531-C00	SHIM D, BEVEL(0.50)	1	1	1	UCRA,XCRA
F-5-1	19	HZX2-90528-E00	SHIM A, BEVEL(0.10)	1	1	1	(COUNTER ROTATION) UCRA,XCRA
F-5-1	19	HZX2-90529-E00	SHIM B, BEVEL(0.15)	1	1	1	(COUNTER ROTATION) UCRA,XCRA
F-5-1	19	HZX2-90530-E00	SHIM C, BEVEL(0.30)	1	1	1	(COUNTER ROTATION) UCRA,XCRA
F-5-1	19	HZX2-90531-E00	SHIM D, BEVEL(0.50)	1	1	1	(COUNTER ROTATION) UCRA,XCRA
F-5-1	20	HZX2-90541-E01	WASHER, THRUST, 85X110X2	1	1	1	UCRA,XCRA
F-5-1	21	HZX2-90542-E01	WASHER, THRUST, 48X74X3	1	1	1	(COUNTER ROTATION) UCRA,XCRA
F-5-1	22	HZV5-90559-000	WASHER, PLAIN, 12MM	2	2	2	UCRA,XCRA
F-5-1	23	HZW1-90758-B00	PIN, SPLIT, 4.0	1	1	1	UCRA,XCRA

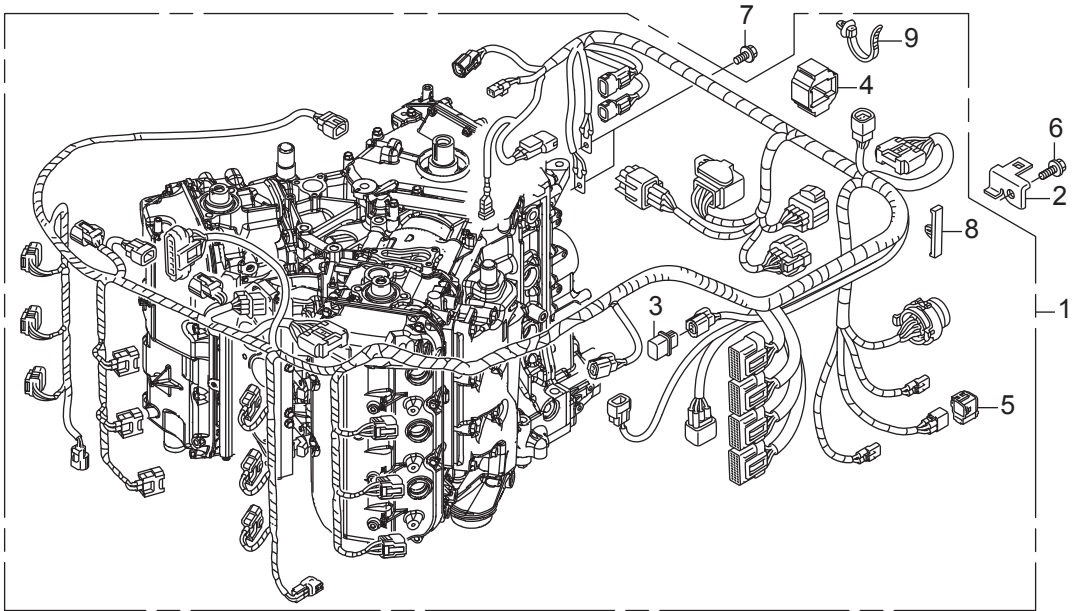
F-5-1

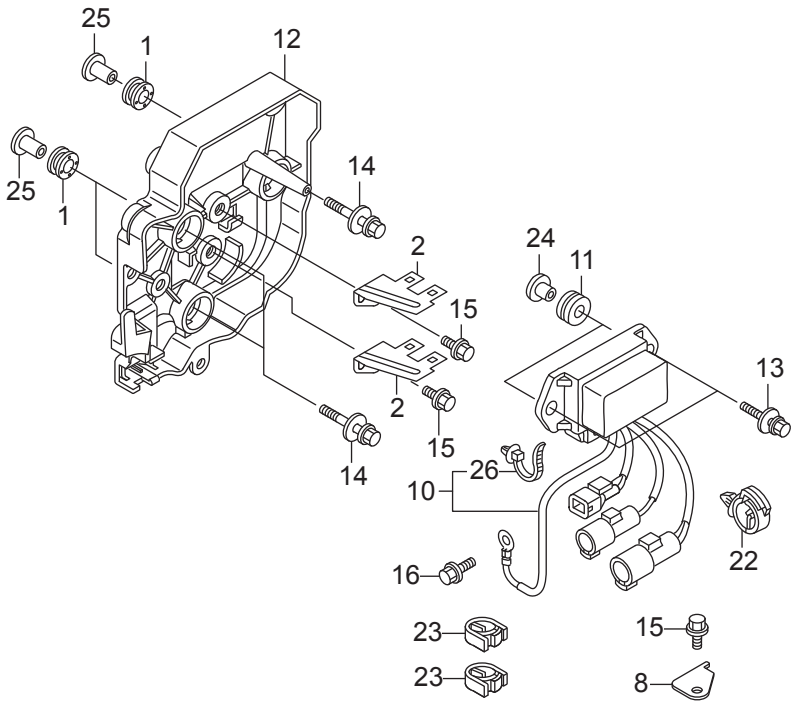
PROPELLER SHAFT
(COUNTER ROTATION)



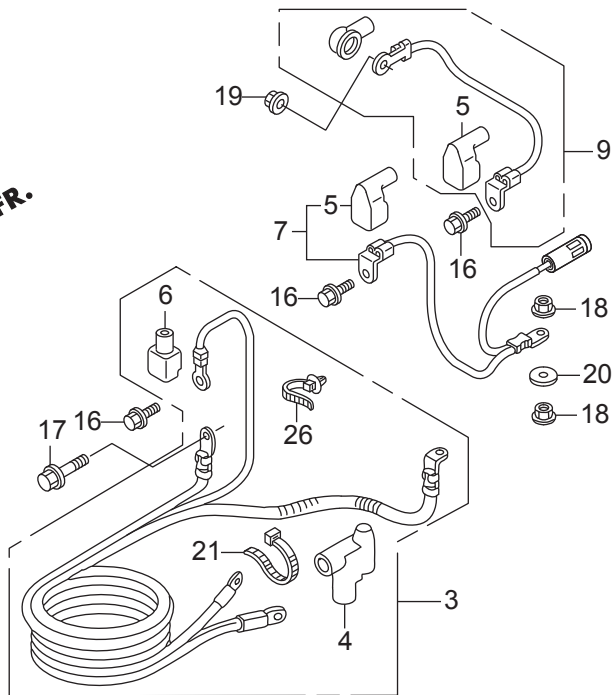


FR. →

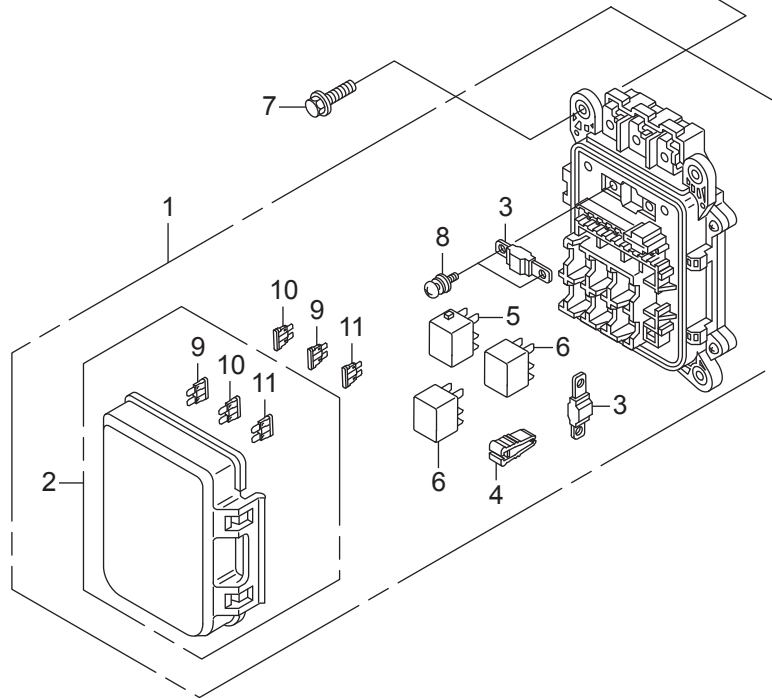
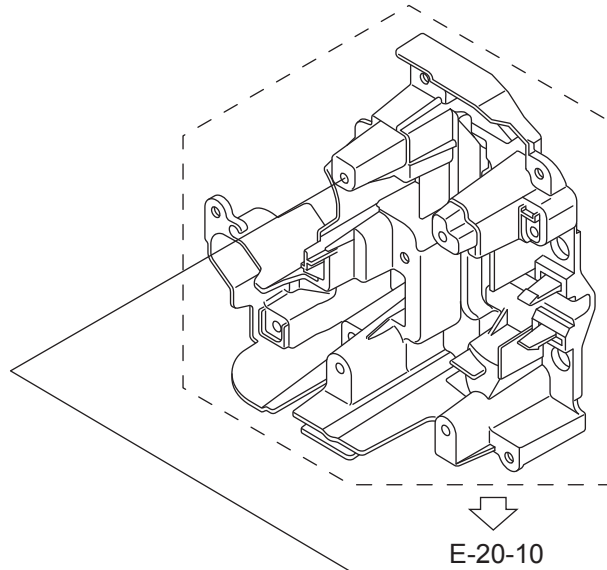




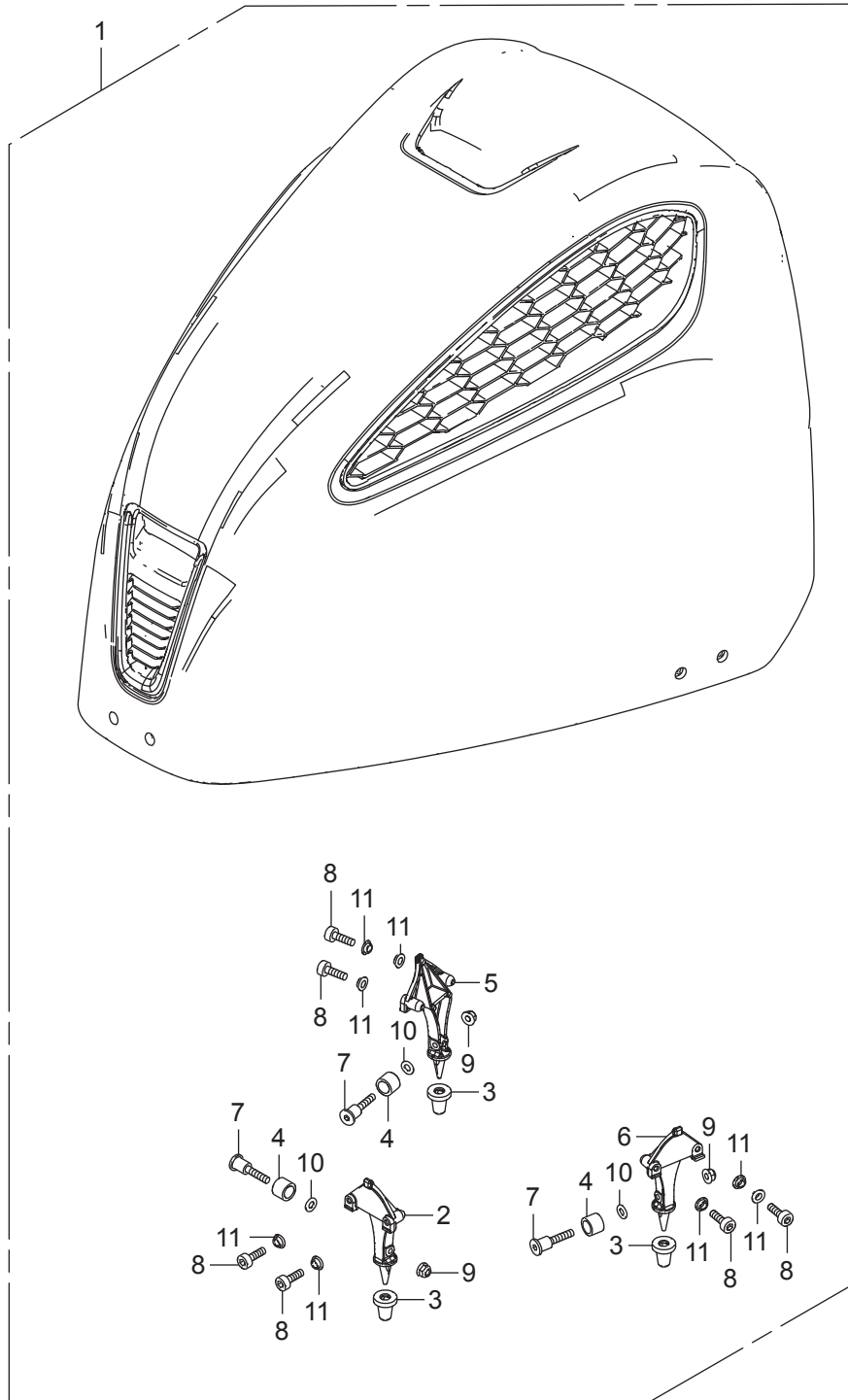
FR.

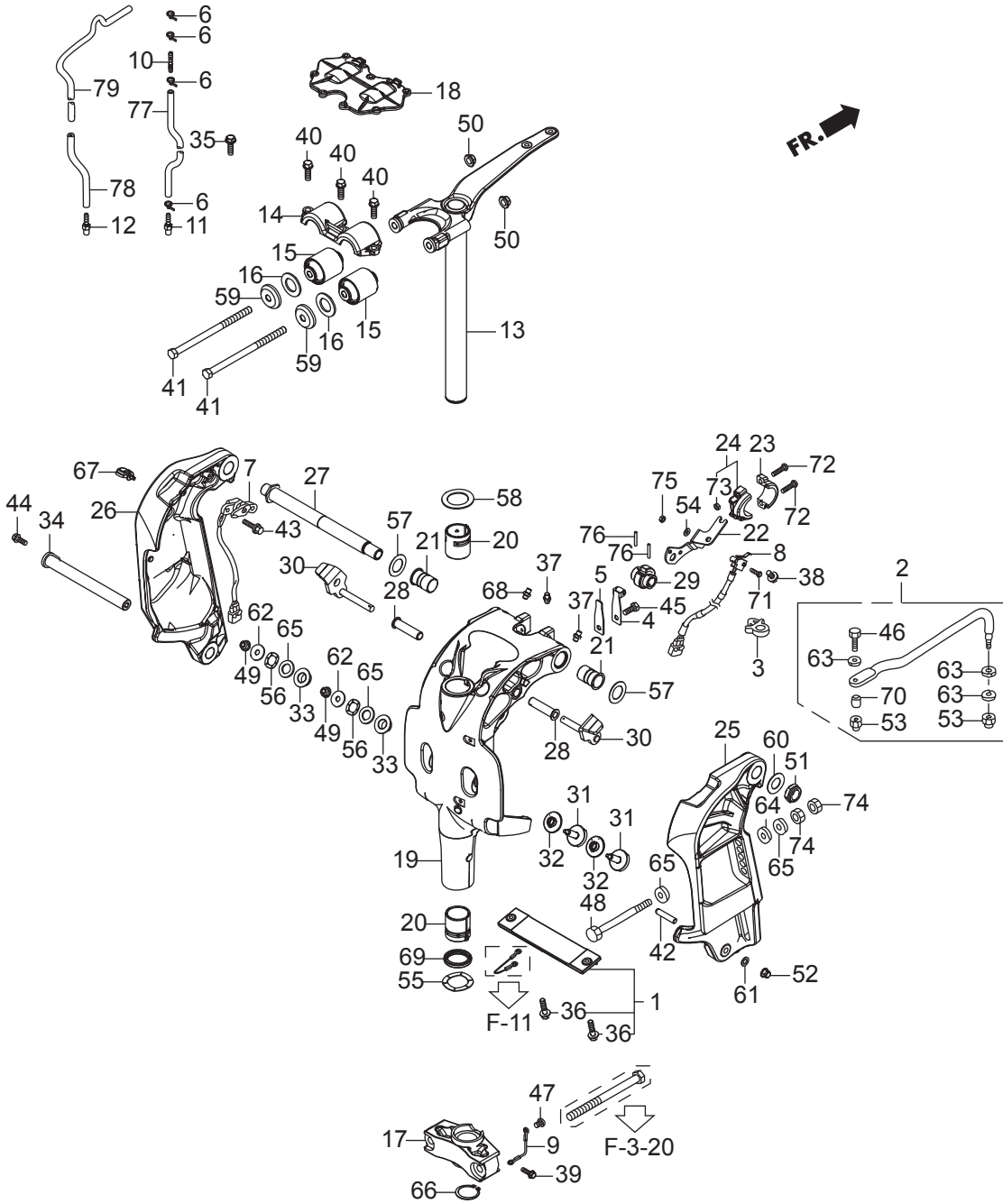


Ref.No.	Part No.	Description	Q' ty			Remarks	
			BFT200D	BFT225D	BFT250D		
F-7-10	1	HZY9-30419-003	GROMMET, ELECTRONIC PARTS CASE	3	3	3	
F-7-10	2	HZVL-32103-000	BRACKET, COUPLER C	2	2	2	
F-7-10	3	HZVL-32410-000	CABLE ASSY., STARTER	1	1	1	
F-7-10	4	HZY3-32411-003	COVER, STARTER TERMINAL	1	1	1	
F-7-10	5	HZX2-32414-300	COVER B, TERMINAL(L)	2	2	2	
F-7-10	6	HZY6-32414-640	COVER B, TERMINAL	1	1	1	
F-7-10	7	HZX2-32415-000	CABLE ASSY., POWER TILT RELAY	1	1	1	
F-7-10	8	HZVL-32421-000	PLATE, STARTER CABLE	1	1	1	
F-7-10	9	HZX2-32435-000	CORD, A.C. GENERATOR	1	1	1	
F-7-10	10	HZVL-38550-003	RELAY ASSY., POWER TILT	1	1	1	
F-7-10	11	HZW1-38551-000	GROMMET, RELAY	2	2	2	
F-7-10	12	HZX2-38552-000	CASE, POWER TILT RELAY	1	1	1	
F-7-10	13	HZZ5-90013-M00	BOLT-WASHER, 6X25	2	2	2	
F-7-10	14	HZVL-90015-000	BOLT-WASHER, 6X27	3	3	3	
F-7-10	15	HZZ0-90103-M00	BOLT, FLANGE, 6X10	3	3	3	
F-7-10	16	HZZ5-90105-M00	BOLT, FLANGE, 6X12	4	4	4	
F-7-10	17	HZY3-90107-000	BOLT, FLANGE, 8X18	1	1	1	
F-7-10	18	HZW1-90203-000	NUT-WASHER, 8MM	2	2	2	
F-7-10	19	HZY3-90304-000	NUT-WASHER, 6MM	1	1	1	
F-7-10	20	HZY3-90405-000	WASHER, PLAIN, 8MM	1	1	1	
F-7-10	21	HKV6-90651-003	BAND, WIRE, 165MM(BLACK)	1	1	1	
F-7-10	22	H763-90681-A01	CLIP, WIRE HARNESS	1	1	1	
F-7-10	23	HZX2-90683-003	CLIP, WIRE HARNESS	2	2	2	
F-7-10	24	HZZ5-91501-000	COLLAR, MOUNTING(6MM)	2	2	2	
F-7-10	25	HZY9-91503-M00	COLLAR, C.D.I. UNIT CASE	3	3	3	
F-7-10	26	HS0A-91541-003	CLIP, HARNESS BAND(BLACK)	3	3	3	(145MM)

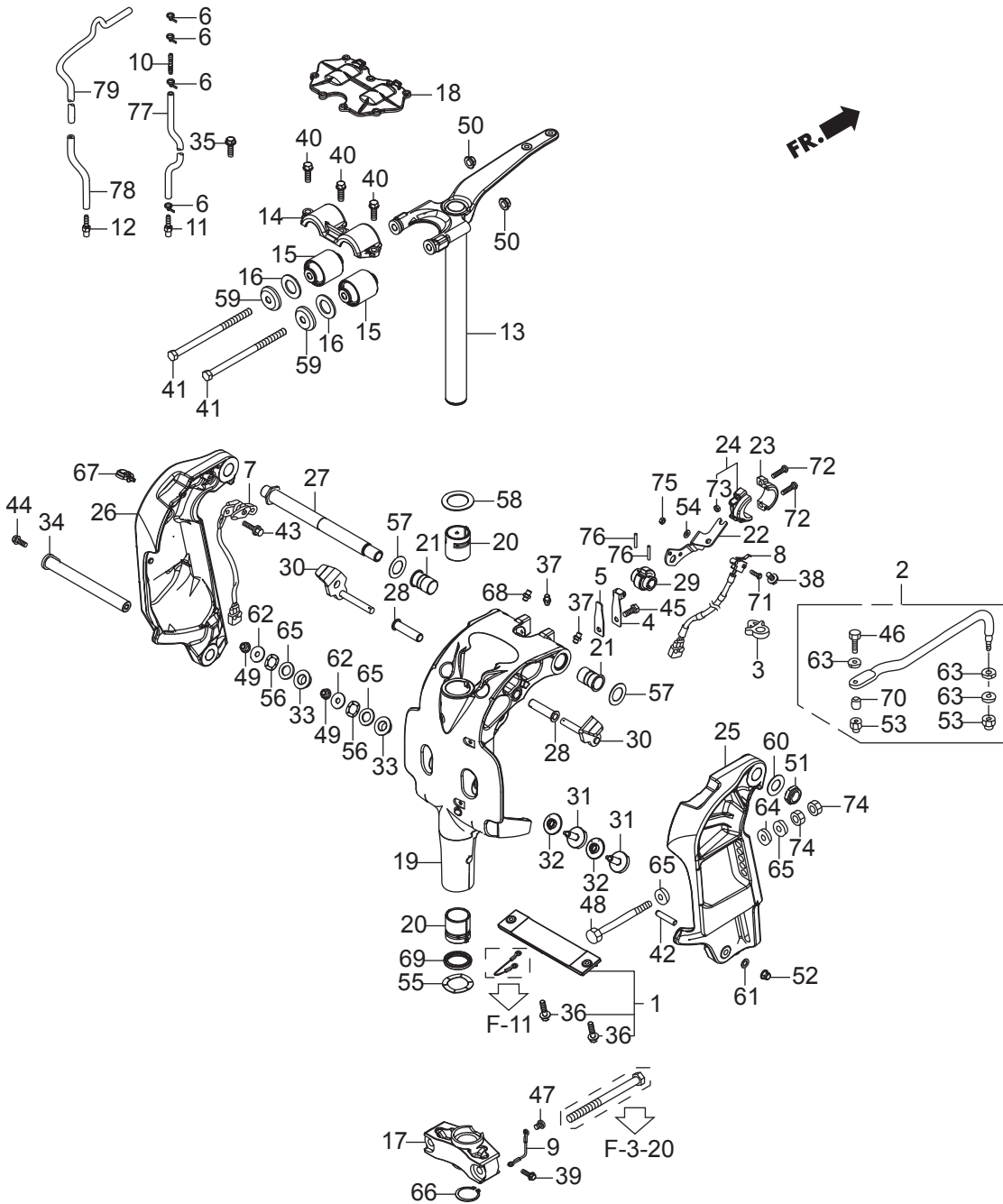


FR.

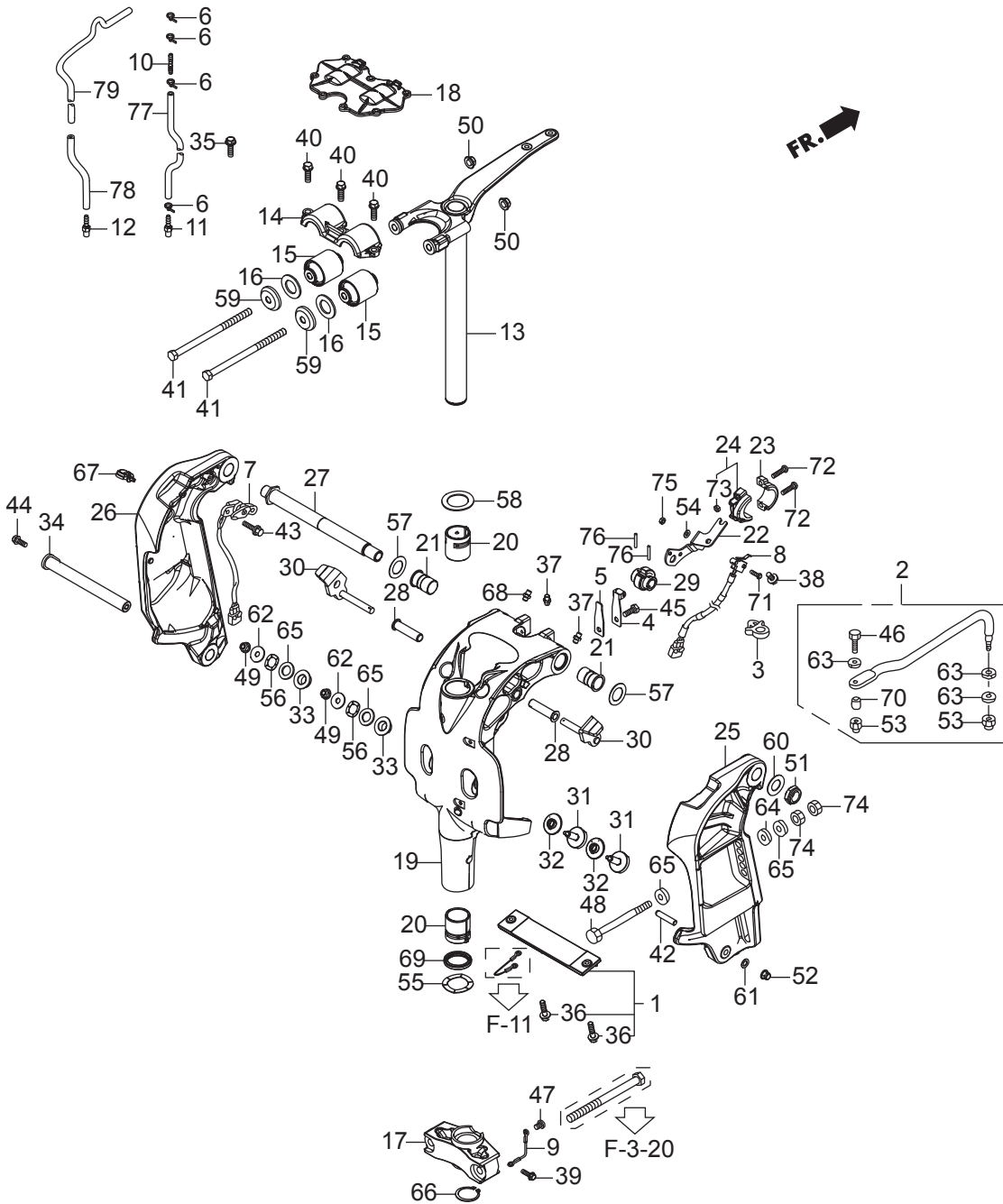




Ref.No.	Part No.	Description	Q' ty			Remarks	
			BFT200D	BFT225D	BFT250D		
F-10	1	HZW1-06411-020	METAL KIT, ANODE	1	1	1	
F-10	2	HZY3-06532-U00	ROD KIT, STEERING	1	1	1	
F-10	3	H747-16731-003	CLIP, TUBE	1	1	1	
F-10	4	HZV1-24210-010	SPRING COMP., CLICK	1	1	1	
F-10	5	HZV4-24221-010	SPRING, CLICK ASSIST	1	1	1	
F-10	6	HKM3-32161-003	BAND, WIRE	2	2	2	LRA,XCRA,XRA
F-10	6	HKM3-32161-003	BAND, WIRE	-	-	4	UCRA,URA
F-10	7	HZY3-35660-003	SENSOR ASSY., TRIM ANGLE	1	1	1	
F-10	8	HZZ3-35745-743	SWITCH ASSY., TILT LIMIT	1	1	1	
F-10	9	HZY3-40219-023	WIRE, LEAD(1.5X116MM)	1	1	1	
F-10	10	HZV5-41171-000	END, NIPPLE	1	1	1	
F-10	11	HZV5-41172-000	NIPPLE, SENSOR	1	1	1	
F-10	12	HZV5-41172-000	NIPPLE, SENSOR	1	1	1	
F-10	13	HZVL-50100-900	FRAME COMP., MOUNTING(L)	1	1	1	LRA
F-10	13	HZVL-50100-000	FRAME COMP., MOUNTING(XL)	1	1	1	UCRA,URA,XCRA,XRA
F-10	14	HZVL-50109-000	HOUSING, UPPER MOUNTING	1	1	1	
F-10	15	HZY3-50151-000	MOUNT COMP., UPPER RUBBER	2	2	2	
F-10	16	HZY3-50153-000	RUBBER, UPPER MOUNT STOPPER	2	2	2	
F-10	17	HZY3-50161-000ZD	HOUSING, LOWER CENTER MOUNTING	1	1	1	*T107* BAYBLUE LRA
F-10	17	HZY3-50161-610	HOUSING, LOWER CENTER MOUNTING	1	1	1	(XL) UCRA,URA,XCRA,XRA
F-10	18	HZVL-50166-000	COVER, UPPER MOUNT	1	1	1	
F-10	19	HZVL-50201-900ZA	CASE, SWIVEL(L)	1	1	1	*T107*BAY BLUE LRA
F-10	19	HZVL-50201-000ZA	CASE, SWIVEL(XL)	1	1	1	*T107* BAY BLUE UCRA,URA,XCRA,XRA
F-10	20	HZY3-50211-000	LINER, SWIVEL CASE	2	2	2	
F-10	21	HZY3-50214-000	BUSH, SWIVEL CASE	2	2	2	
F-10	22	HZVL-50222-000	BRACKET, TILT LIMIT SWITCH	1	1	1	
F-10	23	HZZ3-50223-000	CAM A, TILT LIMIT ANGLE	1	1	1	
F-10	24	HZZ3-50224-000	CAM B, TILT LIMIT ANGLE	1	1	1	
F-10	25	HZY3-50301-030ZC	BRACKET, R. STERN	1	1	1	*T107* BAYBLUE

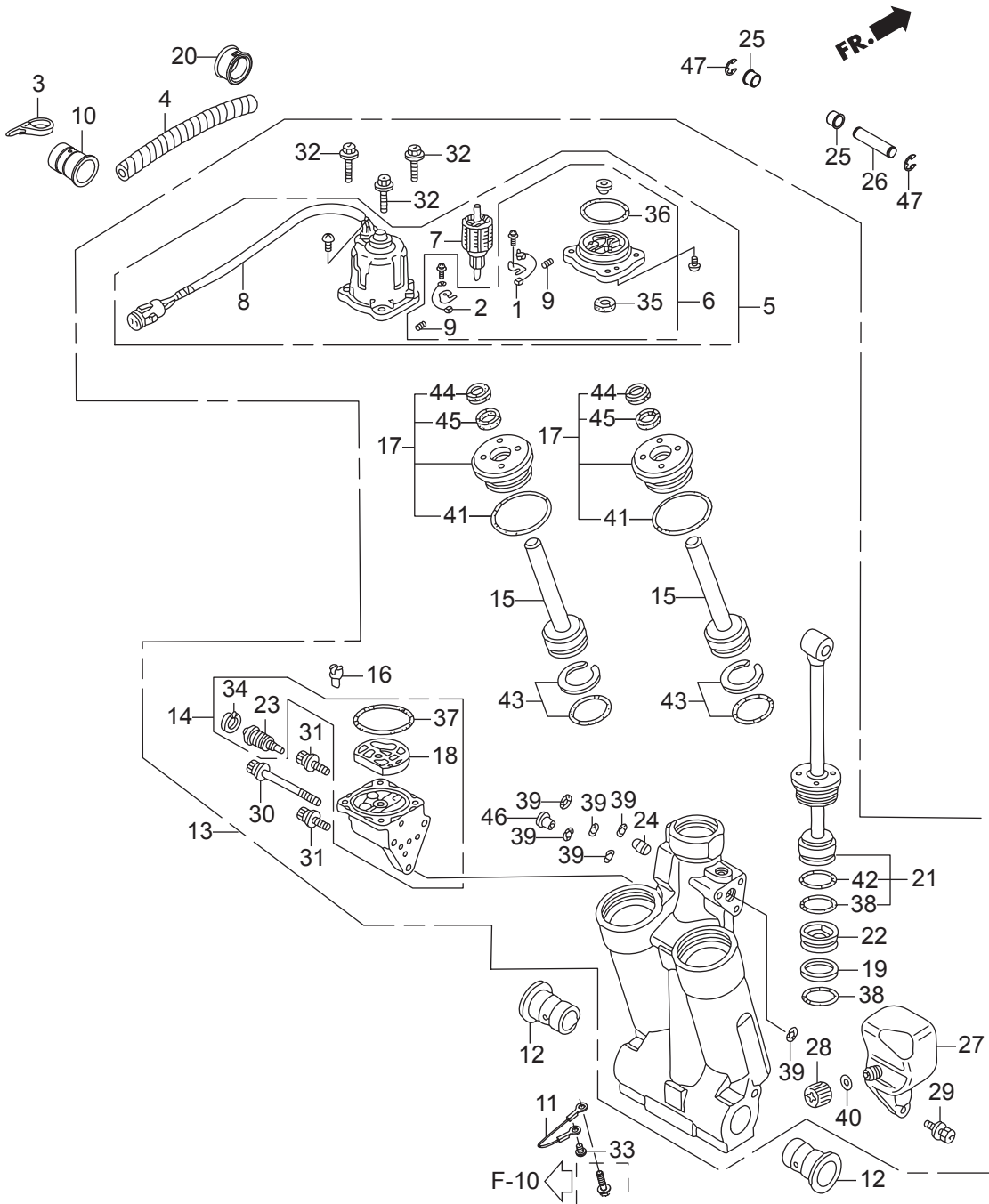


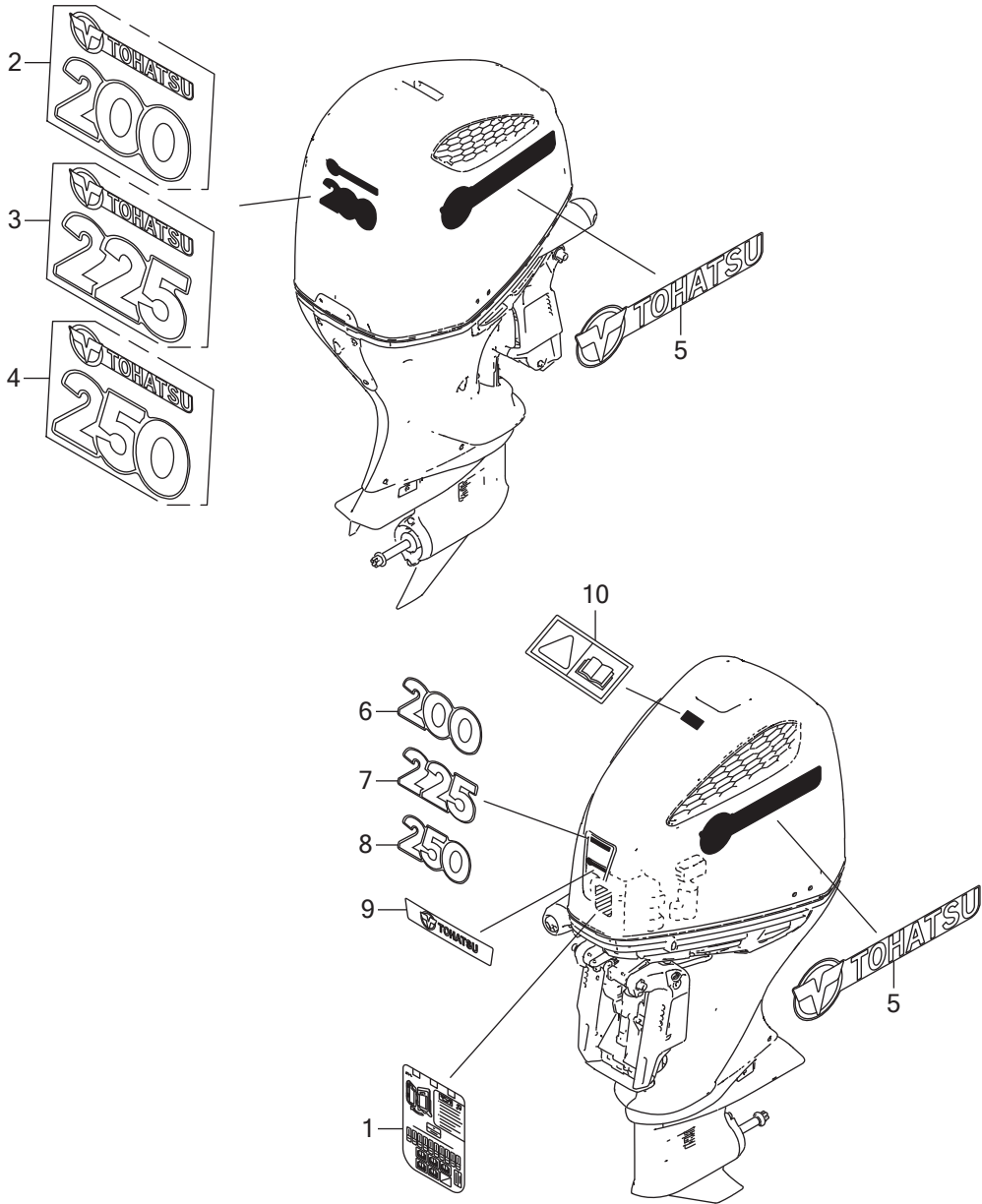
Ref.No.	Part No.	Description	Q' ty			Remarks	
			BFT200D	BFT225D	BFT250D		
F-10	26	HZVL-50311-000ZA	BRACKET, L. STERN	1	1	1	*T107* BAYBLUE
F-10	27	HZVL-50381-000	SHAFT, TILTING	1	1	1	
F-10	28	HZY3-50522-000	BUSH, TILT ARM	2	2	2	
F-10	29	HZY3-50527-000	BRACKET, TILTING	1	1	1	
F-10	30	HZVL-50529-000	STOPPER, TILT	2	2	2	
F-10	31	HZY3-56516-A00	RECEIVER, THRUST	2	2	2	
F-10	32	HZY3-56518-A00	BUSH A, THRUST RECEIVE	2	2	2	
F-10	33	HZY3-56519-A00	BUSH B, THRUST RECEIVE	2	2	2	
F-10	34	HZVL-56539-000	SHAFT, LOWER CYLINDER	1	1	1	
F-10	35	HZW9-90005-010	BOLT, FLANGE, 6X20	7	7	7	
F-10	36	HZW9-90009-000	BOLT, FLANGE, 6X23	2	2	2	
F-10	37	HZW1-90102-000	BOLT, 1/4-28UNF	2	2	2	
F-10	38	HZW9-90102-000	BOLT, FLANGE, 6X12	1	1	1	
F-10	39	HZW9-90103-010	BOLT, FLANGE, 6X12	1	1	1	
F-10	40	HZY6-90103-000	BOLT-WASHER, 10X32	3	3	3	
F-10	41	HZY3-90104-010	BOLT, HEX., 12X200	2	2	2	
F-10	42	HZVL-90105-000	BOLT, STUD, 10X28	1	1	1	
F-10	43	HZW9-90105-000	BOLT, FLANGE, 6X20	2	2	2	
F-10	44	HZY3-90106-A00	BOLT, FLANGE, 8X22	1	1	1	
F-10	45	H881-90110-000	BOLT, HEX., 6X14	1	1	1	
F-10	46	HZY3-90117-000	BOLT, 3/8-24UNF	1	1	1	
F-10	47	HZV5-90119-000	SCREW, PAN, 6X8	1	1	1	
F-10	48	HZX2-90129-000	BOLT, HEX., 12X130	6	6	6	
F-10	49	HZY1-90205-000	NUT, SELF-LOCK, 6MM	2	2	2	
F-10	50	HZW5-90302-003	NUT, FLANGE, 12MM	2	2	2	
F-10	51	HZV5-90304-013	NUT, SELF-LOCK(7/8-14UNF)	1	1	1	
F-10	52	HZW4-90306-003	NUT, FLANGE, 10MM	1	1	1	
F-10	53	HZV5-90307-003	NUT, SELF-LOCK(3/8-24UNF)	2	2	2	
F-10	54	HZW4-90401-000	WASHER, PLAIN, 4MM	1	1	1	

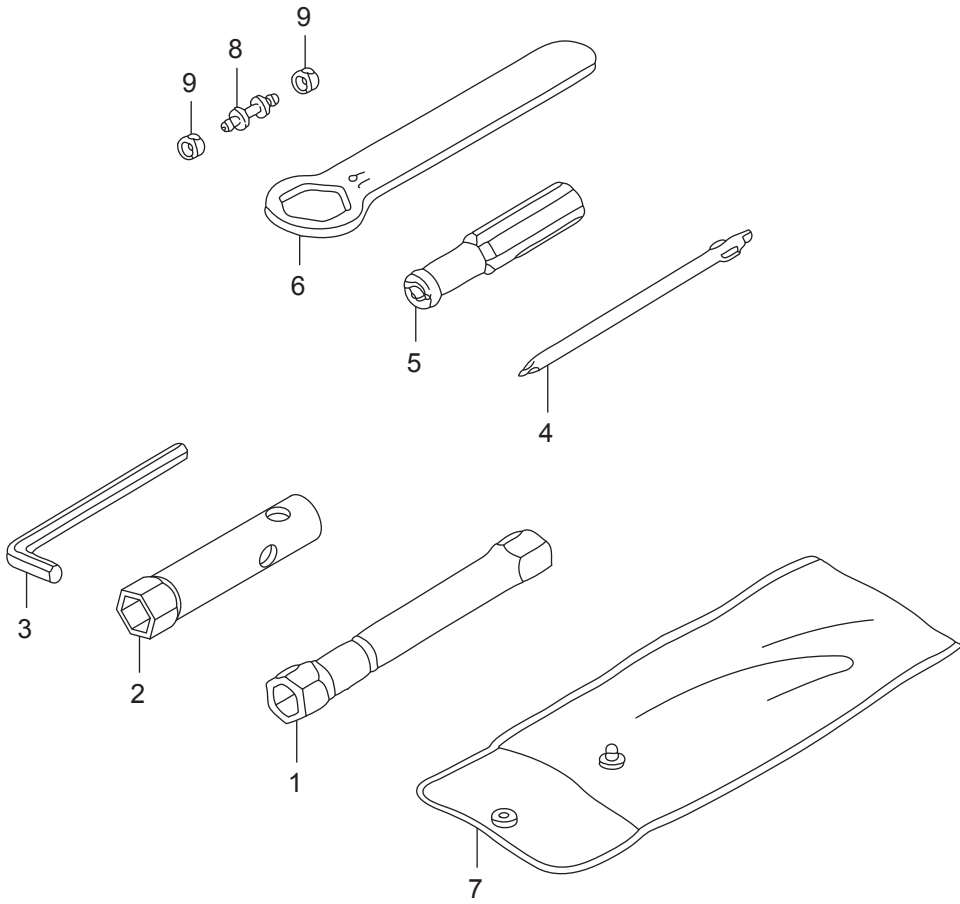


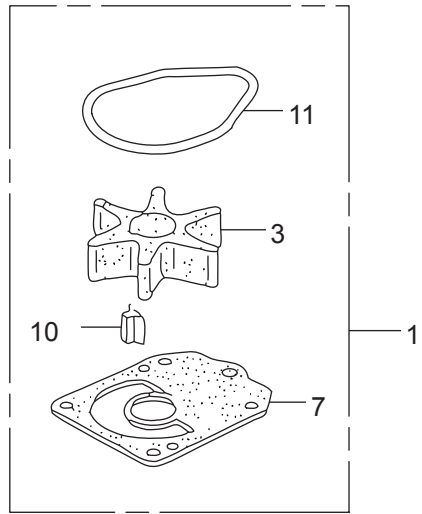
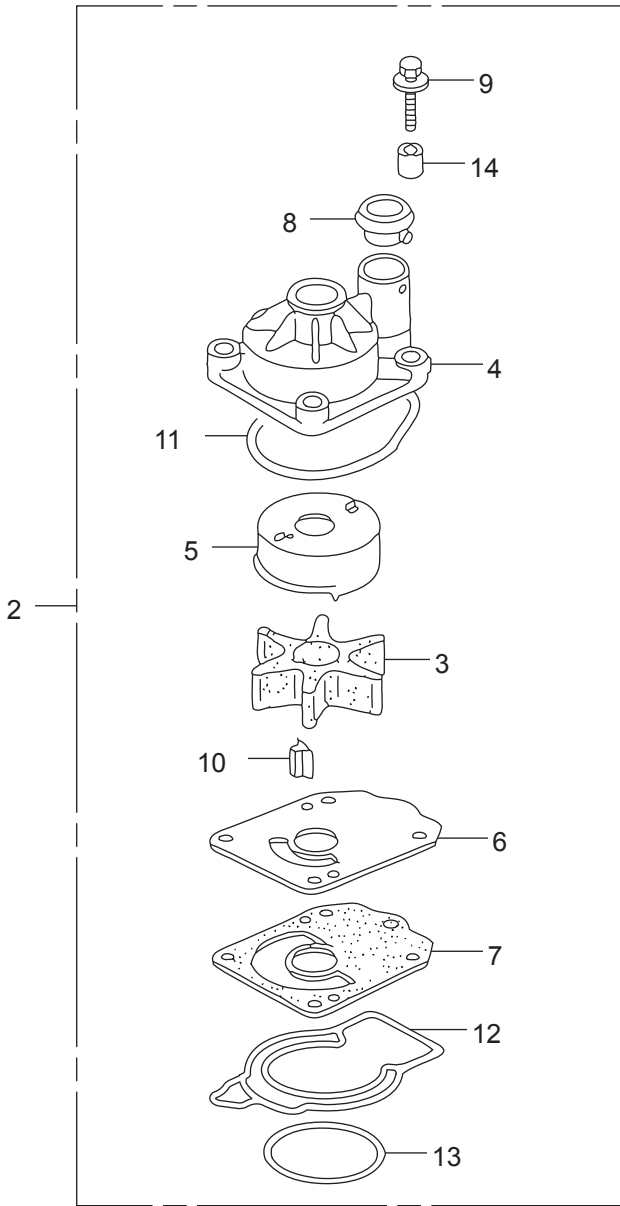
Ref.No.	Part No.	Description	Q' ty			Remarks	
			BFI200D	BFI225D	BFI250D		
F-10	55	HZV5-90501-000	WASHER, WAVE, 40MM	1	1	1	
F-10	56	HZY3-90501-A00	WASHER, WAVE, 12MM	2	2	2	
F-10	57	HZV5-90502-000	WASHER, WAVE, 26MM	2	2	2	
F-10	58	HZV5-90504-000	WASHER, THRUST, 34MM	1	1	1	
F-10	59	HZX2-90504-C00	WASHER, UPPER MOUNTING STOPPER	2	2	2	
F-10	60	HZY3-90509-000	WASHER, 7/8"	1	1	1	
F-10	61	H921-90511-000	WASHER, PLAIN, 10MM	1	1	1	
F-10	62	HZV4-90512-000	WASHER, PLAIN, 6MM	2	2	2	
F-10	63	HZV4-90514-000	WASHER, 10MM	3	3	3	
F-10	64	HZV5-90552-000	WASHER, PLAIN, 12MM	6	6	6	
F-10	65	HZV5-90559-000	WASHER, PLAIN, 12MM	14	14	14	
F-10	66	HZV5-90651-000	CIRCLIP, EXTERNAL, 39MM	1	1	1	
F-10	67	H763-90681-A01	CLIP, WIRE HARNESS	1	1	1	
F-10	68	HZV7-90951-010	NIPPLE, GREASE	6	6	6	
F-10	69	HZV5-91256-003	OIL SEAL, 39.5X52X6(ARAI)	1	1	1	
F-10	70	HZY3-91560-000	COLLAR, STEERING ROD	1	1	1	
F-10	71	HCO-93500-04014-4J	SCREW, PAN, 4X14	1	1	1	
F-10	72	HCO-93500-05020-4J	SCREW, PAN, 5X20	2	2	2	
F-10	73	HCO-94001-05490-0S	NUT, HEX., 5MM	2	2	2	
F-10	74	HCO-94001-12490-0S	NUT, HEX., 12MM	12	12	12	
F-10	75	HCO-94002-04490-0S	NUT, HEX., 4MM	1	1	1	
F-10	76	HCO-94305-30203	PIN, SPRING, 3X20	2	2	2	
F-10	77	HCO-95005-50045-30	TUBE, 5X45(HCO-95005-50001-30M)	1	1	1	
F-10	78	HCO-95005-50250-30	TUBE, 5X250(HCO-95005-50001-30M)	1	1	1	LRA
F-10	79	HCO-95005-50340-30	TUBE, 5X340(HCO-95005-50001-30M)	1	1	1	UCRA,URA,XCRA,XRA

Ref.No.	Part No.	Description	Q' ty			Remarks	
			BFT200D	BFT225D	BFT250D		
F-11	1	HZX2-30280-003	BREAKER ASSY.	1	1	1	
F-11	2	HZX2-31106-003	BRUSH ASSY.	1	1	1	
F-11	3	HMG9-35701-950	BAND(BLACK 3.5X140)	1	1	1	
F-11	4	HZVL-36104-000	TUBE, SPIRAL(12X14.6)	1	1	1	
F-11	5	HZX2-36120-013	MOTOR ASSY., POWER TILT	1	1	1	
F-11	6	HZX2-36122-003	BRACKET ASSY.	1	1	1	
F-11	7	HZY3-36123-013	ARMATURE COMP.	1	1	1	
F-11	8	HZX2-36129-003	YOKE ASSY.	1	1	1	
F-11	9	HZV5-36136-821	SPRING, MOTOR	2	2	2	
F-11	10	HZW1-40107-700	GROMMET, UNDER CASE(C)	1	1	1	
F-11	11	HZY3-40219-023	WIRE, LEAD(1.5X116MM)	1	1	1	
F-11	12	HZV5-50214-003	BUSH, SWIVEL CASE	2	2	2	
F-11	13	HZX2-56000-043	TRIM-TILT ASSY., POWER	1	1	1	
F-11	14	HZY3-56100-013	PUMP ASSY.	1	1	1	
F-11	15	HZW1-56110-701	ROD COMP., PISTON(B)	2	2	2	
F-11	16	HZW1-56113-701	JOINT, DRIVE	1	1	1	
F-11	17	HZY9-56115-023	GUIDE COMP., ROD	2	2	2	
F-11	18	HZW1-56116-701	FILTER B	1	1	1	
F-11	19	HZV5-56117-821	RING, BACK UP	1	1	1	
F-11	20	HZV5-56118-820	BUSH, MOTOR CODE	1	1	1	
F-11	21	HZY3-56120-023	ROD COMP., PISTON	1	1	1	
F-11	22	HZW1-56130-702	PISTON COMP., FREE	1	1	1	
F-11	23	HZY3-56170-013	VALVE COMP., MANUAL	1	1	1	
F-11	24	HZW1-56180-701	VALVE COMP., RESERVOIR	1	1	1	
F-11	25	HZV5-56513-000	BUSH, LOWER CYLINDER	2	2	2	
F-11	26	HZX2-56532-C00	PIN, UPPER CYLINDER	1	1	1	
F-11	27	HZW1-56851-703	TANK, OIL	1	1	1	
F-11	28	HZW1-56860-701	CAP COMP., OIL TANK	1	1	1	
F-11	29	HZW1-90113-702	BOLT, RECESSED	3	3	3	

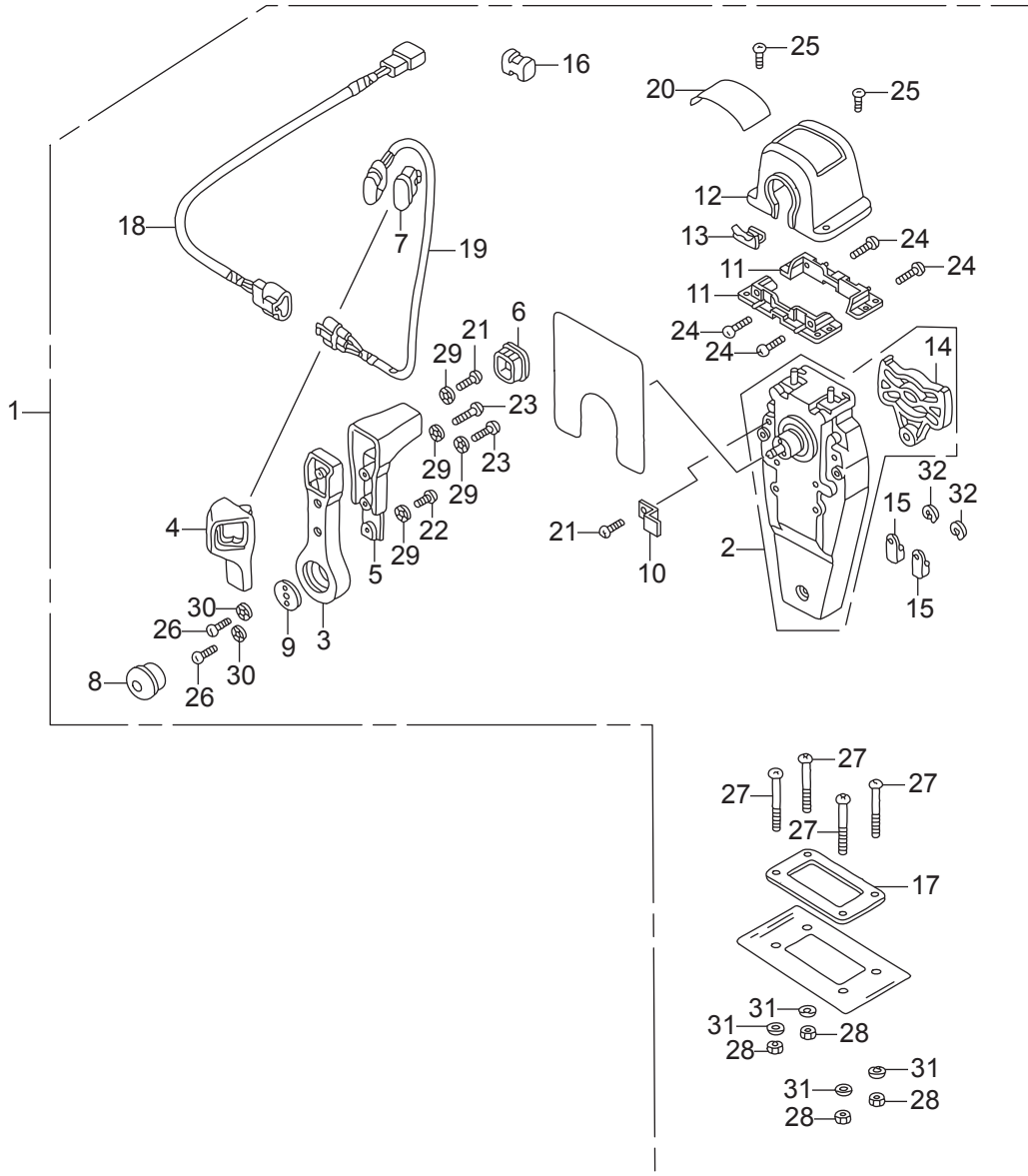




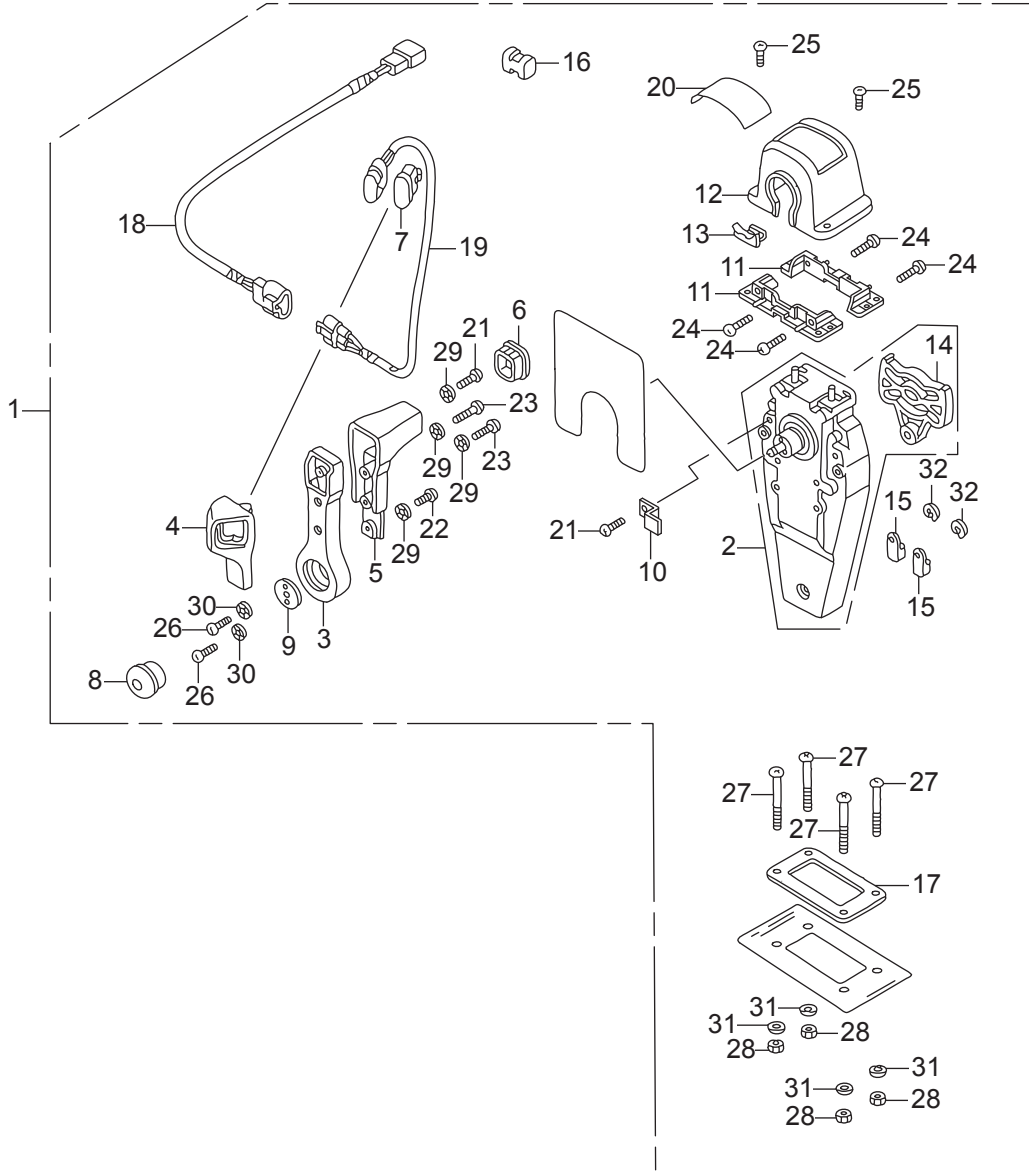


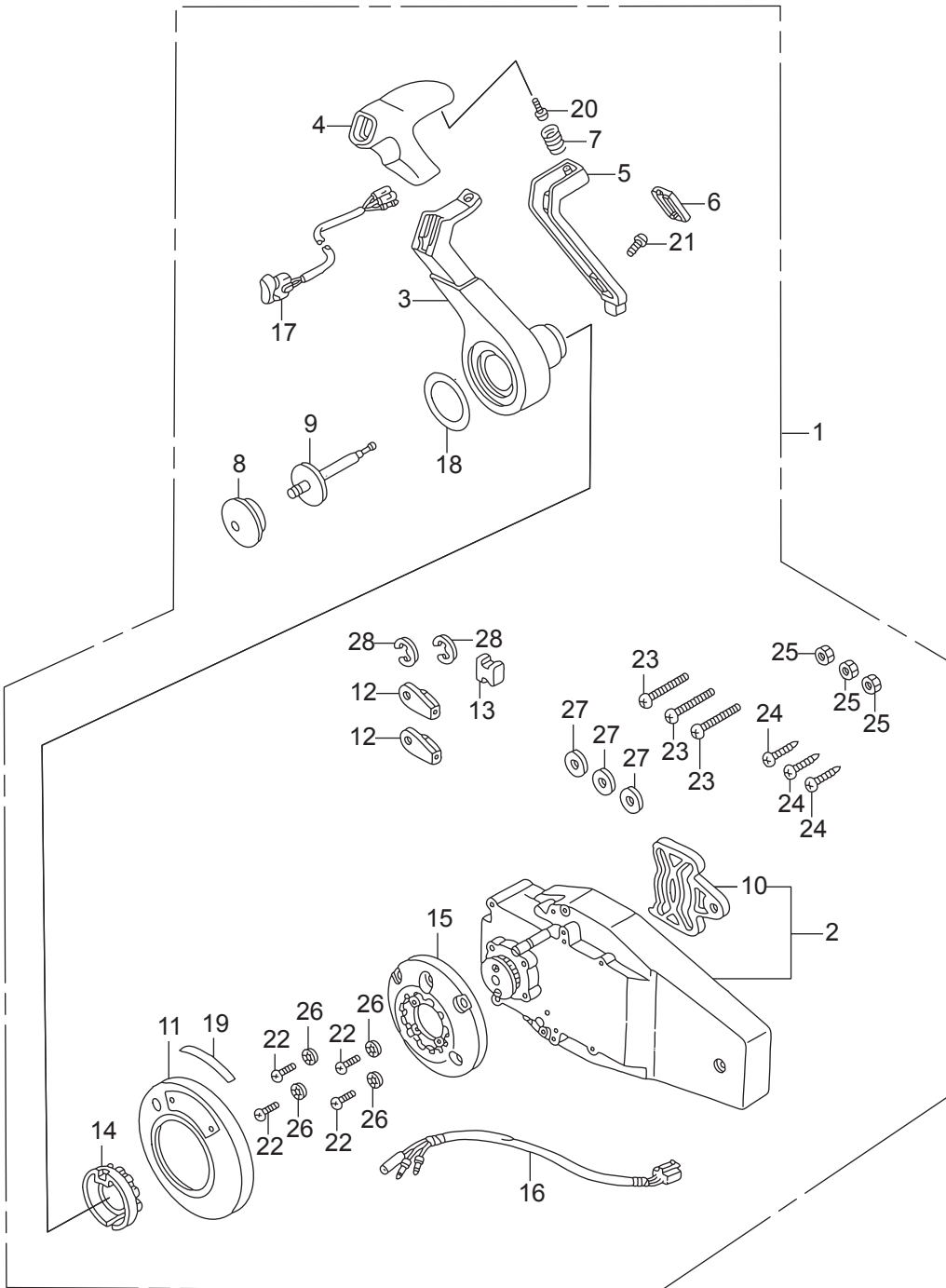


FR.

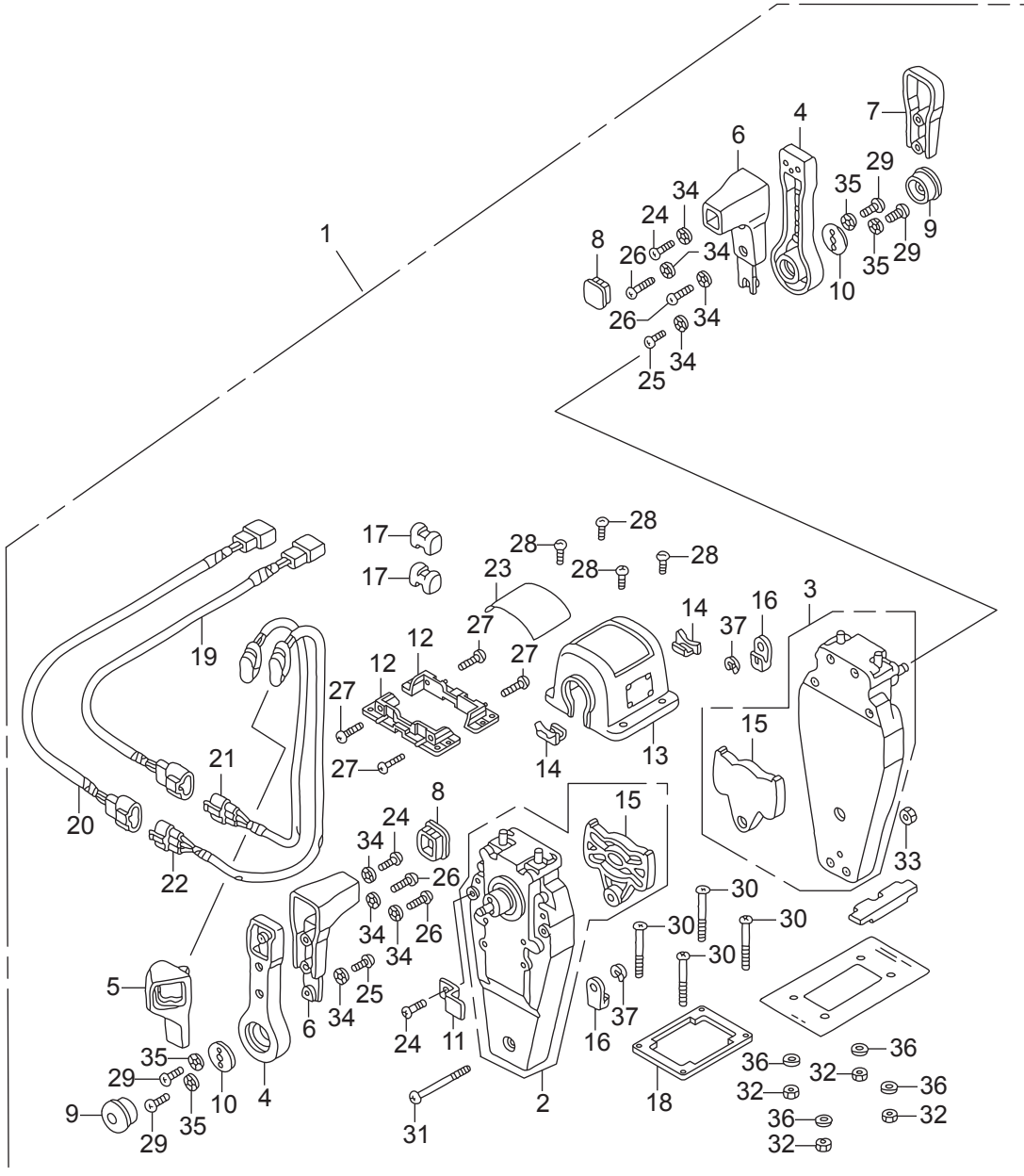


Ref.No.	Part No.	Description	Q' ty			Remarks	
			BFT200D	BFT225D	BFT250D		
FOP-3	1	HZZ3-06240-R31	BOX KIT, REMOTE CONTROL	1	1	1	(TOP MOUNT SINGLE)(R.)
FOP-3	2	HZW5-24810-U01	HOUSING ASSY., L. INNER	1	1	1	(TOP MOUNT)
FOP-3	3	HZW5-24811-U01	HANDLE, REMOTE CONTROL	1	1	1	
FOP-3	4	HZW5-24812-U01	COVER, L. GRIP	1	1	1	
FOP-3	5	HZW5-24813-U01	GRIP, REMOTE CONTROL HANDLE	1	1	1	
FOP-3	6	HZW5-24814-U01	CAP, GRIP	1	1	1	
FOP-3	7	HZW5-24815-U01	CAP, SWITCH	1	1	1	
FOP-3	8	HZW5-24816-U01	BUTTON, THROTTLE	1	1	1	
FOP-3	9	HZW5-24817-U01	PLATE, HANDLE	1	1	1	
FOP-3	10	HZW5-24818-U01	PLATE, CABLE CLAMP	1	1	1	
FOP-3	11	HZW5-24819-U01	BRACKET, REMOTE CONTROL HOUSING	2	2	2	
FOP-3	12	HZZ3-24820-R12	HOUSING COMP., REMOTE CONTROL BOX	1	1	1	
FOP-3	13	HZW5-24825-U01	HOUSING, LEAD	1	1	1	
FOP-3	14	HZW5-24826-U01	PLATE, DWELL	1	1	1	
FOP-3	15	HZW5-24831-U01	TERMINAL, CABLE	2	2	2	
FOP-3	16	HZW5-24832-U01	SPACER, CABLE CLAMP	1	1	1	
FOP-3	17	HZW5-24834-U01	PACKING, SINGLE	1	1	1	
FOP-3	18	HZW7-32530-U00	SUB HARNESS ASSY., POWER TRIM-TILT (A)	1	1	1	
FOP-3	19	HZW5-35370-U02	SWITCH ASSY., POWER TRIM-TILT(A)	1	1	1	
FOP-3	20	HZZ3-87703-R82	MARK, REMOTE CONTROL(SINGLE)	1	1	1	
FOP-3	21	HZW5-90101-U00	SCREW, PAN, 5X16	2	2	2	
FOP-3	22	HZW5-90102-U00	SCREW, PAN, 5X10	1	1	1	
FOP-3	23	HZW5-90103-U01	SCREW, PAN, 5X20	2	2	2	
FOP-3	24	HZW5-90104-U00	SCREW, PAN, 5X18	4	4	4	
FOP-3	25	HZW5-90105-U01	SCREW, PAN, 4X10	2	2	2	
FOP-3	26	HZW5-90106-U00	SCREW, PAN, 6X18	2	2	2	
FOP-3	27	HZW5-90107-U00	SCREW, PAN, 5X40	4	4	4	
FOP-3	28	HZW5-90301-U00	NUT, HEX., 5MM	4	4	4	
FOP-3	29	HZW5-90501-U00	WASHER, LOCK, 5MM	4	4	4	

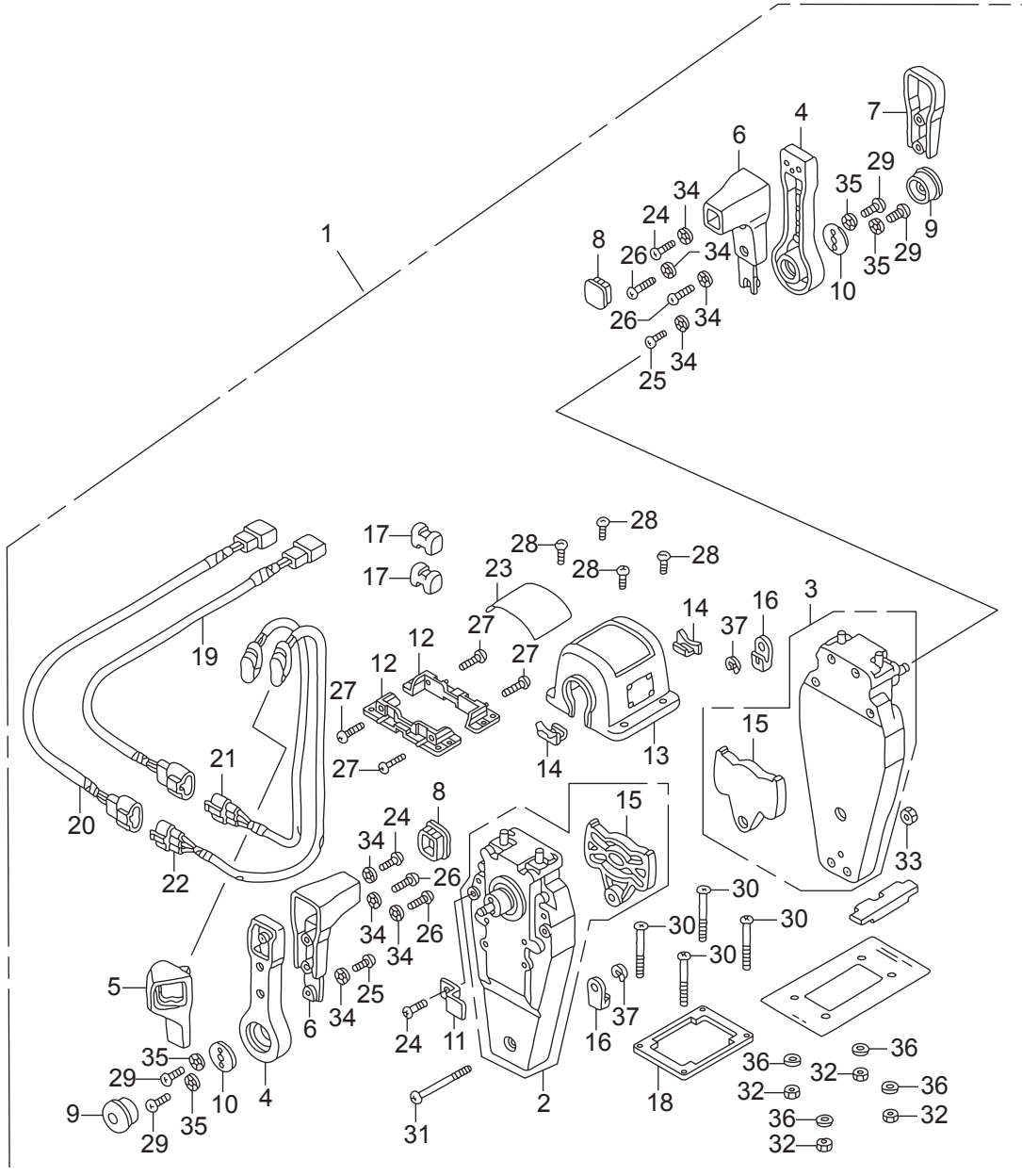




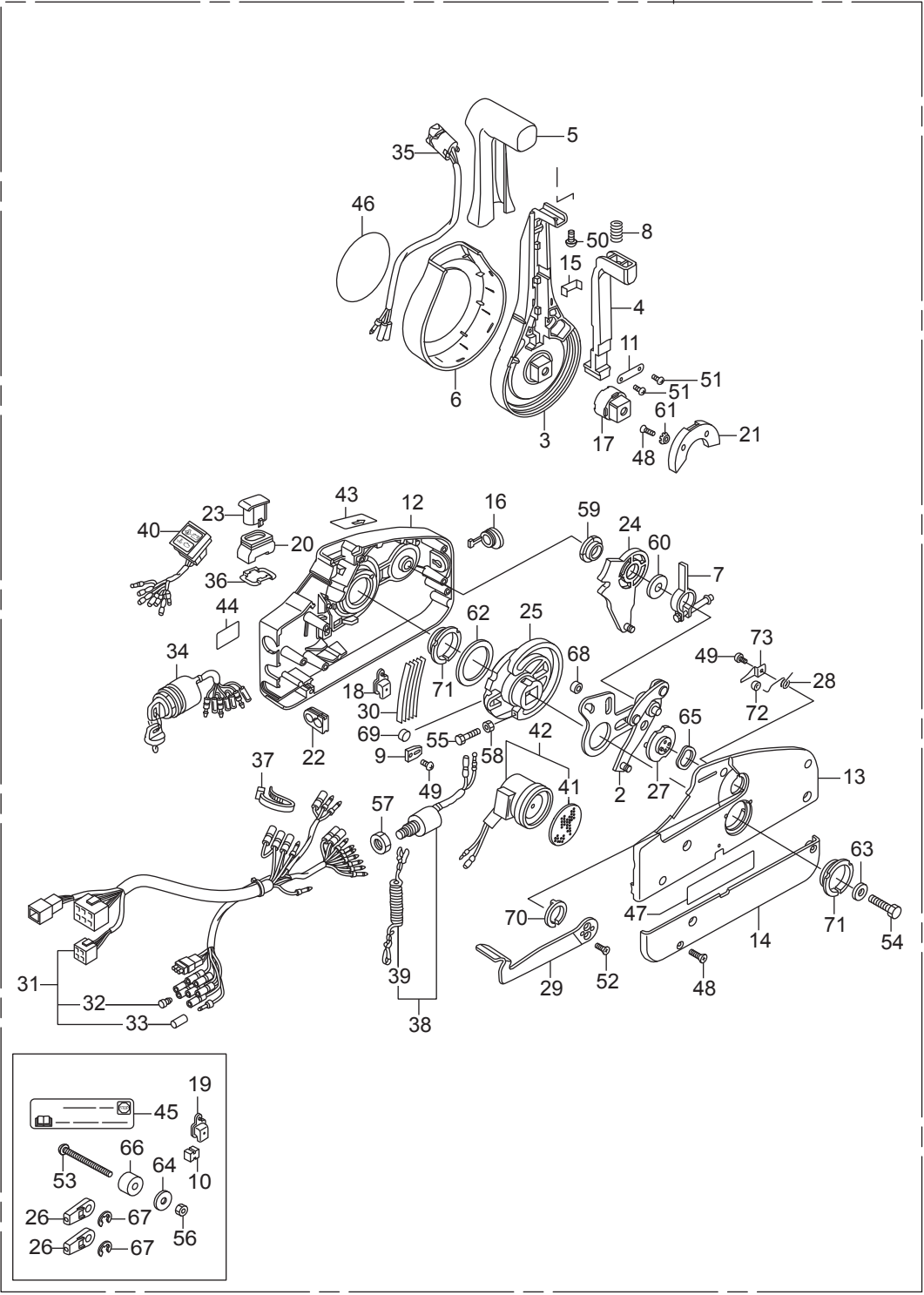
Ref.No.	Part No.	Description	Q'ty			Remarks	
			BFT200D	BFT225D	BFT250D		
FOP-3-1	1	HZZ3-06240-R41	BOX KIT, REMOTE CONTROL	1	1	1	(FLUSH MOUNT)(R.)
FOP-3-1	2	HZW7-24810-U01	HOUSING ASSY., R. INNER	1	1	1	(FLUSH MOUNT)
FOP-3-1	3	HZW7-24811-U01	HANDLE, REMOTE CONTROL	1	1	1	
FOP-3-1	4	HZW7-24812-U01	COVER, GRIP	1	1	1	
FOP-3-1	5	HZW7-24813-U01	ARM, NEUTRAL LOCK	1	1	1	
FOP-3-1	6	HZW7-24814-U01	COVER, LOCK ARM	1	1	1	
FOP-3-1	7	HZW7-24815-U01	SPRING, NEUTRAL LOCK ARM	1	1	1	
FOP-3-1	8	HZW5-24816-U01	BUTTON, THROTTLE	1	1	1	
FOP-3-1	9	HZW7-24817-U01	SHAFT, THROTTLE BUTTON	1	1	1	
FOP-3-1	10	HZW5-24826-U01	PLATE, DWELL	1	1	1	
FOP-3-1	11	HZZ3-24830-R42	COVER ASSY.	1	1	1	
FOP-3-1	12	HZW5-24831-U01	TERMINAL, CABLE	2	2	2	
FOP-3-1	13	HZW5-24832-U01	SPACER, CABLE CLAMP	1	1	1	
FOP-3-1	14	HZW7-24832-U01	HOLDER, NEUTRAL LOCK	1	1	1	
FOP-3-1	15	HZW7-24833-U01	BASE	1	1	1	
FOP-3-1	16	HZW7-32530-U20	SUB HARNESS ASSY., POWER TRIM TILT(C)	1	1	1	
FOP-3-1	17	HZW7-35370-U02	SWITCH ASSY., POWER TRIM-TILT®	1	1	1	
FOP-3-1	18	HZZ3-87701-R41	MARK, HANDLE FLUSH MOUNT	1	1	1	
FOP-3-1	19	HZW7-87703-U00	MARK, FLUSH MOUNT	1	1	1	
FOP-3-1	20	HZW5-90101-U00	SCREW, PAN, 5X16	1	1	1	
FOP-3-1	21	HZW7-90101-U01	SCREW, TRUSS, 4X12	1	1	1	
FOP-3-1	22	HZW7-90102-U01	SCREW, PAN, 5X30	4	4	4	
FOP-3-1	23	HZW7-90103-U01	SCREW, PAN, 6X35	3	3	3	
FOP-3-1	24	HZW7-90104-U01	SCREW, TAPPING, 6X30	3	3	3	
FOP-3-1	25	HZW7-90301-U01	NUT, HEX., 6MM	3	3	3	
FOP-3-1	26	HZW5-90501-U00	WASHER, LOCK, 5MM	4	4	4	
FOP-3-1	27	HZW7-90502-U00	WASHER, PLAIN, 6MM	3	3	3	
FOP-3-1	28	HCO-94540-06029	E-RING, 6MM	2	2	2	



Ref.No.	Part No.	Description	Q' ty			Remarks	
			BFT200D	BFT225D	BFT250D		
FOP-3-2	1	HZZ3-06240-R61	BOX KIT, REMOTE CONTROL	1	1	1	(TOP MOUNT DUAL)(R)
FOP-3-2	2	HZW5-24810-U01	HOUSING ASSY., L. INNER	1	1	1	(TOP MOUNT)
FOP-3-2	3	HZW5-24810-U11	HOUSING ASSY., R. INNER	1	1	1	(TOP MOUNT)
FOP-3-2	4	HZW5-24811-U01	HANDLE, REMOTE CONTROL	2	2	2	
FOP-3-2	5	HZW5-24812-U01	COVER, L. GRIP	1	1	1	
FOP-3-2	6	HZW5-24813-U01	GRIP, REMOTE CONTROL HANDLE	2	2	2	
FOP-3-2	7	HZW5-24813-U21	COVER, DUAL GRIP	1	1	1	
FOP-3-2	8	HZW5-24814-U01	CAP, GRIP	2	2	2	
FOP-3-2	9	HZW5-24816-U01	BUTTON, THROTTLE	2	2	2	
FOP-3-2	10	HZW5-24817-U01	PLATE, HANDLE	2	2	2	
FOP-3-2	11	HZW5-24818-U01	PLATE, CABLE CLAMP	1	1	1	
FOP-3-2	12	HZW5-24819-U01	BRACKET, REMOTE CONTROL HOUSING	2	2	2	
FOP-3-2	13	HZZ3-24820-R22	HOUSING COMP., REMOTE CONTROL BOX (DUAL)	1	1	1	
FOP-3-2	14	HZW5-24825-U01	HOUSING, LEAD	2	2	2	
FOP-3-2	15	HZW5-24826-U01	PLATE, DWELL	2	2	2	
FOP-3-2	16	HZW5-24831-U01	TERMINAL, CABLE	4	4	4	
FOP-3-2	17	HZW5-24832-U01	SPACER, CABLE CLAMP	2	2	2	
FOP-3-2	18	HZW5-24834-U21	PACKING, DUAL	1	1	1	
FOP-3-2	19	HZW7-32530-U00	SUB HARNESS ASSY., POWER TRIM TILT(A)	1	1	1	
FOP-3-2	20	HZW7-32530-U10	SUB HARNESS ASSY., POWER TRIM TILT(B)	1	1	1	
FOP-3-2	21	HZW5-35370-U02	SWITCH ASSY., POWER TRIM-TILT (A)	1	1	1	
FOP-3-2	22	HZW5-35370-U12	SWITCH ASSY., POWER TRIM-TILT (B)	1	1	1	
FOP-3-2	23	HZZ3-87703-R02	MARK, REMOTE CONTROL(DUAL)	1	1	1	
FOP-3-2	24	HZW5-90101-U00	SCREW, PAN, 5X16	3	3	3	
FOP-3-2	25	HZW5-90102-U00	SCREW, PAN, 5X10	2	2	2	
FOP-3-2	26	HZW5-90103-U01	SCREW, PAN, 5X20	4	4	4	
FOP-3-2	27	HZW5-90104-U00	SCREW, PAN, 5X18	4	4	4	
FOP-3-2	28	HZW5-90105-U01	SCREW, PAN, 4X10	4	4	4	
FOP-3-2	29	HZW5-90106-U00	SCREW, PAN, 6X18	4	4	4	

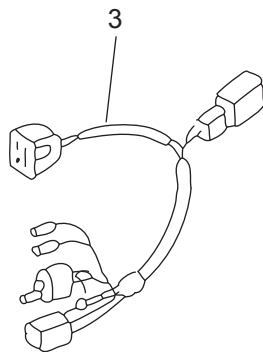
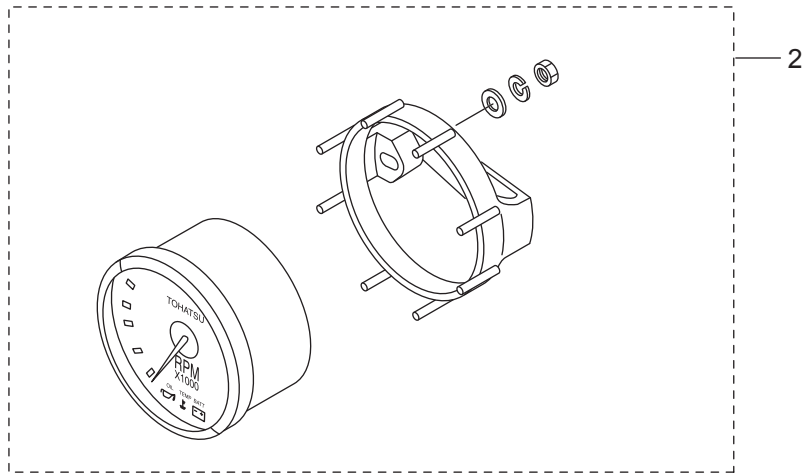
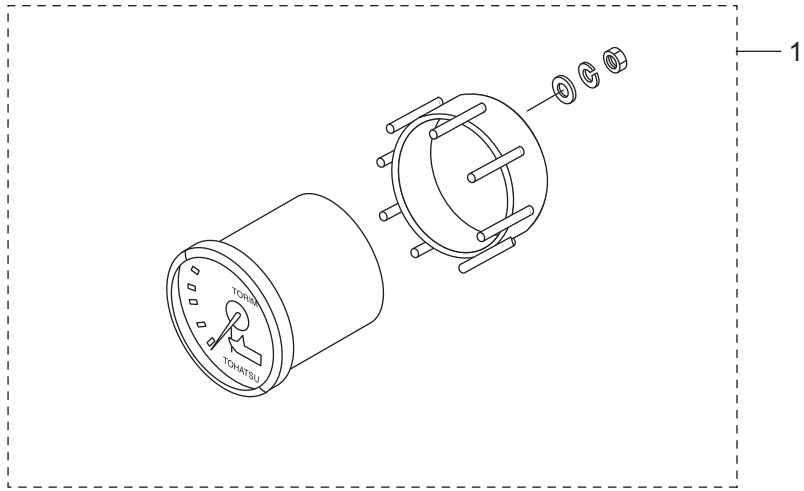


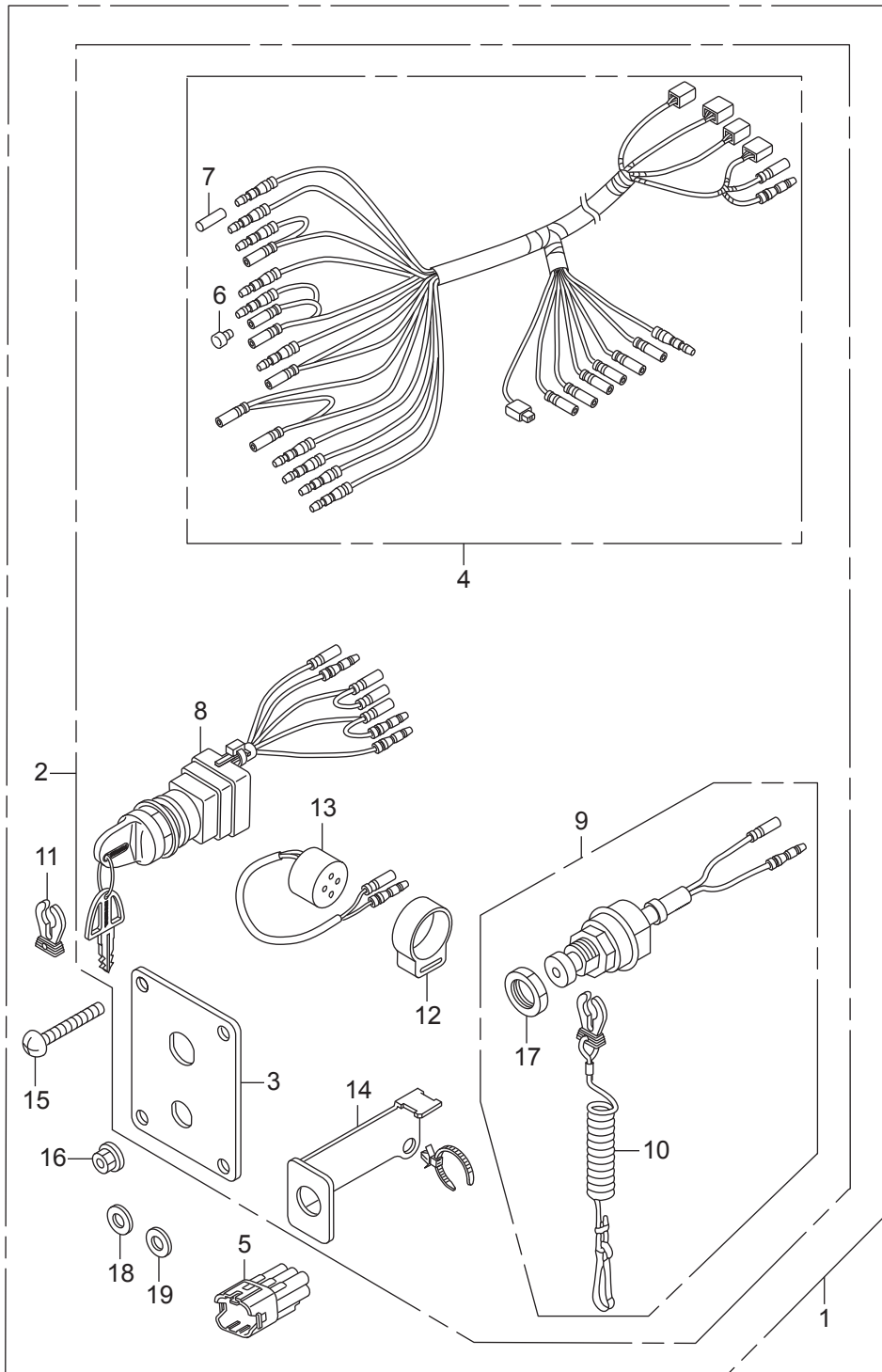
1

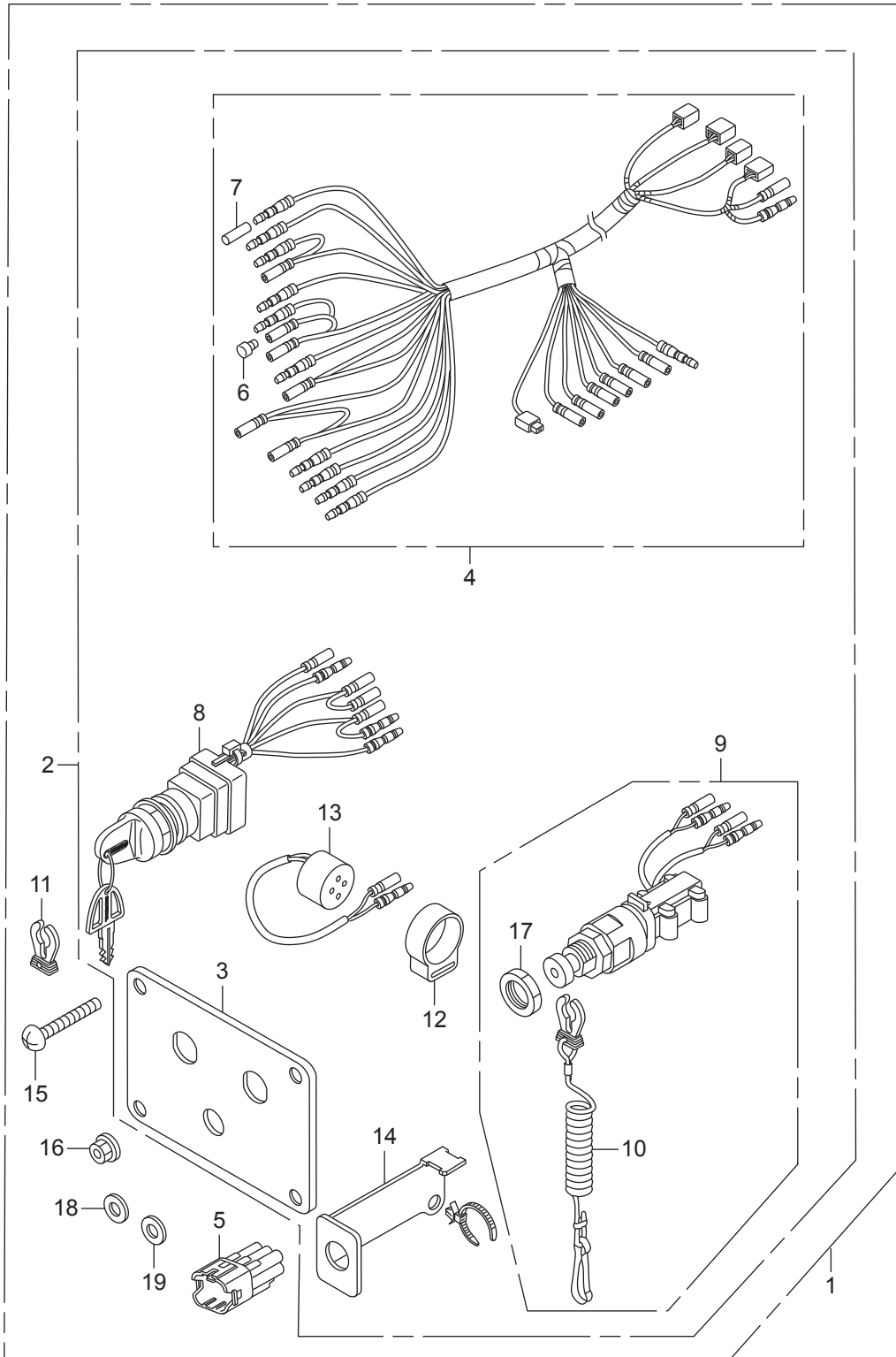


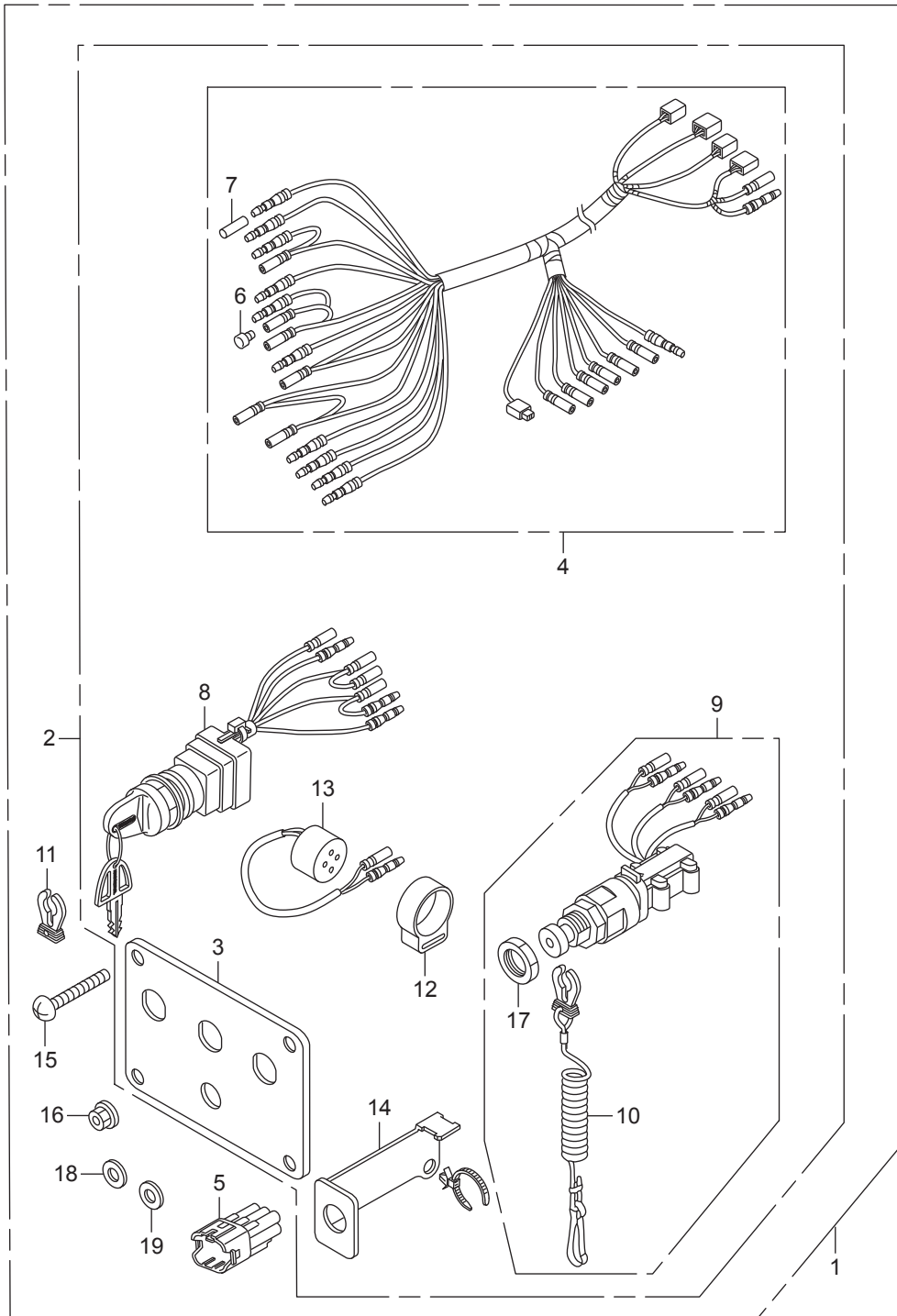
Ref.No.	Part No.	Description	Q'ty			Remarks	
			BFT200D	BFT225D	BFT250D		
FOP-3-3	1	HZZ3-24800-P14	BOX ASSY., REMOTE CONTROL	1	1	1	(NHK MEC)
FOP-3-3	2	HZZ5-24810-D01	PLATE ASSY.	1	1	1	
FOP-3-3	3	HZZ5-24811-D01	LEVER, HAND	1	1	1	
FOP-3-3	4	HZZ5-24812-D01	ARM, NEUTRAL LOCK	1	1	1	
FOP-3-3	5	HZZ5-24813-D01	GRIP	1	1	1	
FOP-3-3	6	HZZ5-24814-D01	COVER, LEVER	1	1	1	
FOP-3-3	7	HZZ5-24815-D01	ARM ASSY., BRAKE	1	1	1	
FOP-3-3	8	HZZ5-24816-D01	SPRING(2)	1	1	1	
FOP-3-3	9	HZZ5-24817-D01	CLIP, DETENT	1	1	1	
FOP-3-3	10	HZZ5-24818-D01	SPACER(1)	1	1	1	(LOOSE PARTS)
FOP-3-3	11	HZZ5-24819-D01	BRACKET	1	1	1	
FOP-3-3	12	HZZ5-24821-D01	HOUSING, FR.	1	1	1	
FOP-3-3	13	HZZ5-24822-D01	HOUSING, RR.	1	1	1	
FOP-3-3	14	HZZ5-24823-D01	PANEL, BACK	1	1	1	
FOP-3-3	15	HZZ5-24824-D01	BRACKET, WIRE CLAMP	1	1	1	
FOP-3-3	16	HZZ5-24826-D01	CAP, RUBBER	1	1	1	
FOP-3-3	17	HZZ5-24827-D01	ADJUSTER	1	1	1	
FOP-3-3	18	HZZ5-24828-D01	COVER, POWER TRIM-TILT WIRE	1	1	1	
FOP-3-3	19	HZZ5-24828-D01	COVER, POWER TRIM-TILT WIRE	1	1	1	(LOOSE PARTS)
FOP-3-3	20	HZZ5-24829-D01	SEAL, RUBBER	1	1	1	
FOP-3-3	21	HZZ5-24831-D01	HOLDER, NEUTRAL LOCK	1	1	1	
FOP-3-3	22	HZZ5-24832-D01	GROMMET, WIRE(14)	1	1	1	
FOP-3-3	23	HZZ5-24833-D01	CAP, TROLLING CONTROL SWITCH BLANK	1	1	1	
FOP-3-3	24	HZZ5-24845-D01	GEAR ASSY., SHIFT	1	1	1	
FOP-3-3	25	HZZ5-24850-D01	GEAR, DRIVE	1	1	1	
FOP-3-3	26	HZZ5-24855-D01	TERMINAL, CABLE	2	2	2	(LOOSE PARTS)
FOP-3-3	27	HZZ5-24875-D01	DRUM ASSY., FREE THROTTLE	1	1	1	
FOP-3-3	28	HZZ5-24876-D01	SPRING(1)	1	1	1	
FOP-3-3	29	HZZ5-24878-D01	LEVER, FREE THROTTLE	1	1	1	

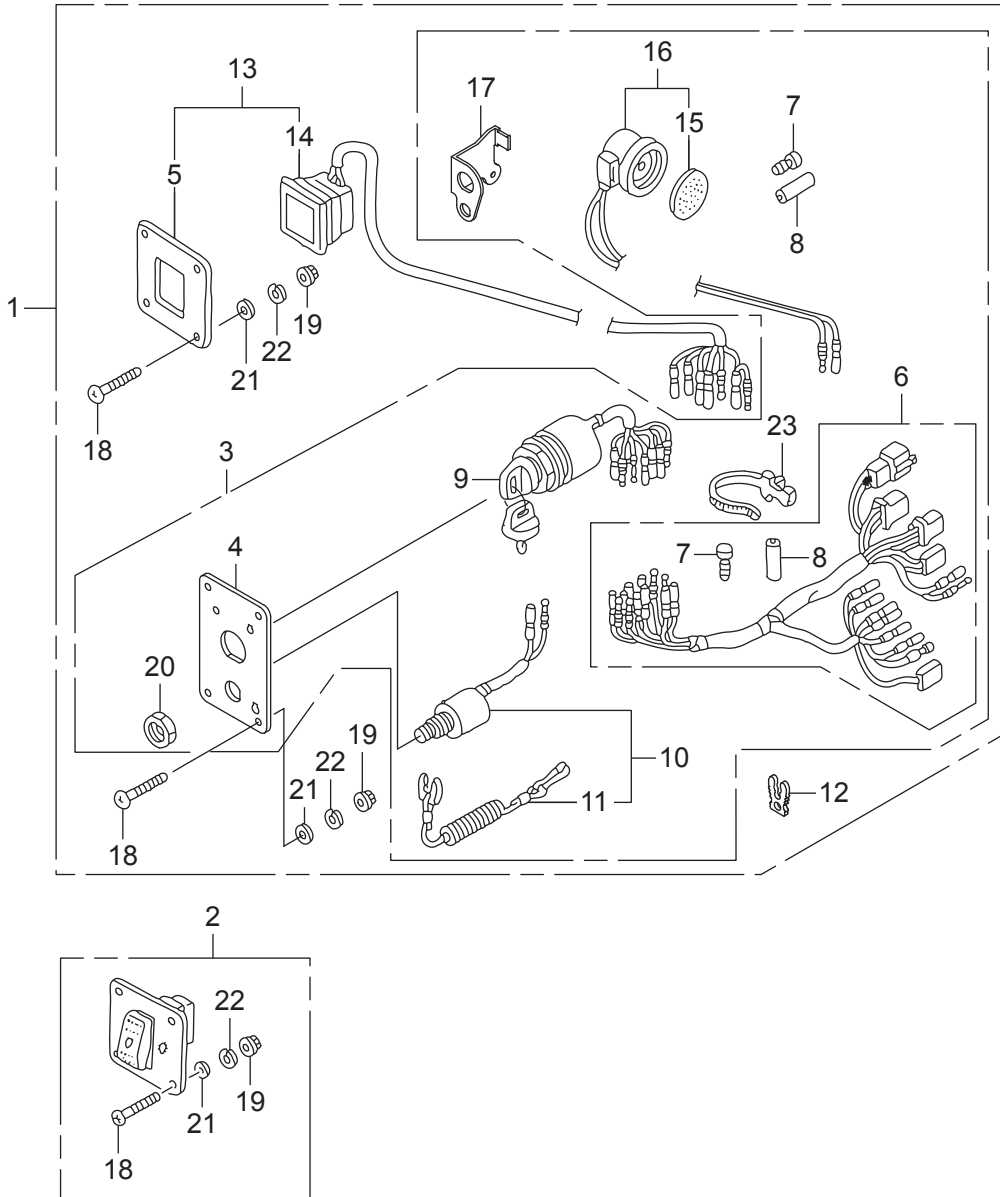
Ref.No.	Part No.	Description	Q' ty			Remarks	
			BFT200D	BFT225D	BFT250D		
FOP-3-3	30	HZZ5-24883-D01	SPRING, DETENT	5	5	5	
FOP-3-3	31	HZZ5-32530-D01	CABLE ASSY., REMOTE CONTROL(B)	1	1	1	
FOP-3-3	32	HZV5-32823-003	PLUG, INNER CONNECTOR	7	7	7	
FOP-3-3	33	HZV5-32824-003	PLUG, OUTER CONNECTOR	1	1	1	
FOP-3-3	34	HZZ3-35100-R12	SWITCH ASSY., COMBINATION	1	1	1	
FOP-3-3	35	HZZ5-35370-D02	SWITCH ASSY., POWER TRIM-TILT	1	1	1	
FOP-3-3	36	HZZ3-35645-A41	PLATE, SWITCH	1	1	1	
FOP-3-3	37	HZZ5-35701-D01	BAND, WIRE	1	1	1	
FOP-3-3	38	HZV5-36180-033	SWITCH ASSY., EMERGENCY STOP	1	1	1	
FOP-3-3	39	HZV4-36182-651	CORD COMP., EMERGENCY	1	1	1	
FOP-3-3	40	HZZ5-37210-D02	LAMP ASSY., INDICATION	1	1	1	
FOP-3-3	41	H341-38403-672	PLATE, WINKER BUZZER	1	1	1	
FOP-3-3	42	HZV5-38410-003	BUZZER COMP., WARNING	1	1	1	
FOP-3-3	43	HZZ5-87701-D00	MARK, FAST IDLE	1	1	1	
FOP-3-3	44	HZZ5-87702-A00	MARK, EMERGENCY STOP(US)	1	1	1	
FOP-3-3	45	HZZ5-87702-A00	MARK, EMERGENCY STOP(US)	1	1	1	(LOOSE PARTS)
FOP-3-3	46	HZZ5-87703-P01	MARK, EMBLEM	1	1	1	
FOP-3-3	47	HZZ5-87704-D01	LABEL, SIGP	1	1	1	
FOP-3-3	48	HZZ5-90101-D01	SCREW, 5X18	7	7	7	
FOP-3-3	49	HZZ5-90102-D01	SCREW, 4X6	2	2	2	
FOP-3-3	50	HZZ5-90103-D01	SCREW, 5X10	1	1	1	
FOP-3-3	51	HZZ5-90104-D01	SCREW, 4X10	2	2	2	
FOP-3-3	52	HZZ5-90106-D01	SCREW, 5X12	2	2	2	
FOP-3-3	53	HZZ5-90107-D01	SCREW, 6X90	3	3	3	(LOOSE PARTS)
FOP-3-3	54	HZZ5-90108-D01	BOLT, 8X50	1	1	1	
FOP-3-3	55	HZZ5-90109-D01	BOLT, 5X25	1	1	1	
FOP-3-3	56	HZZ5-90301-D01	NUT, 6MM	3	3	3	
FOP-3-3	57	H921-90302-000	NUT, HEX., 16MM	1	1	1	
FOP-3-3	58	HZZ5-90302-D01	NUT, 5MM	1	1	1	



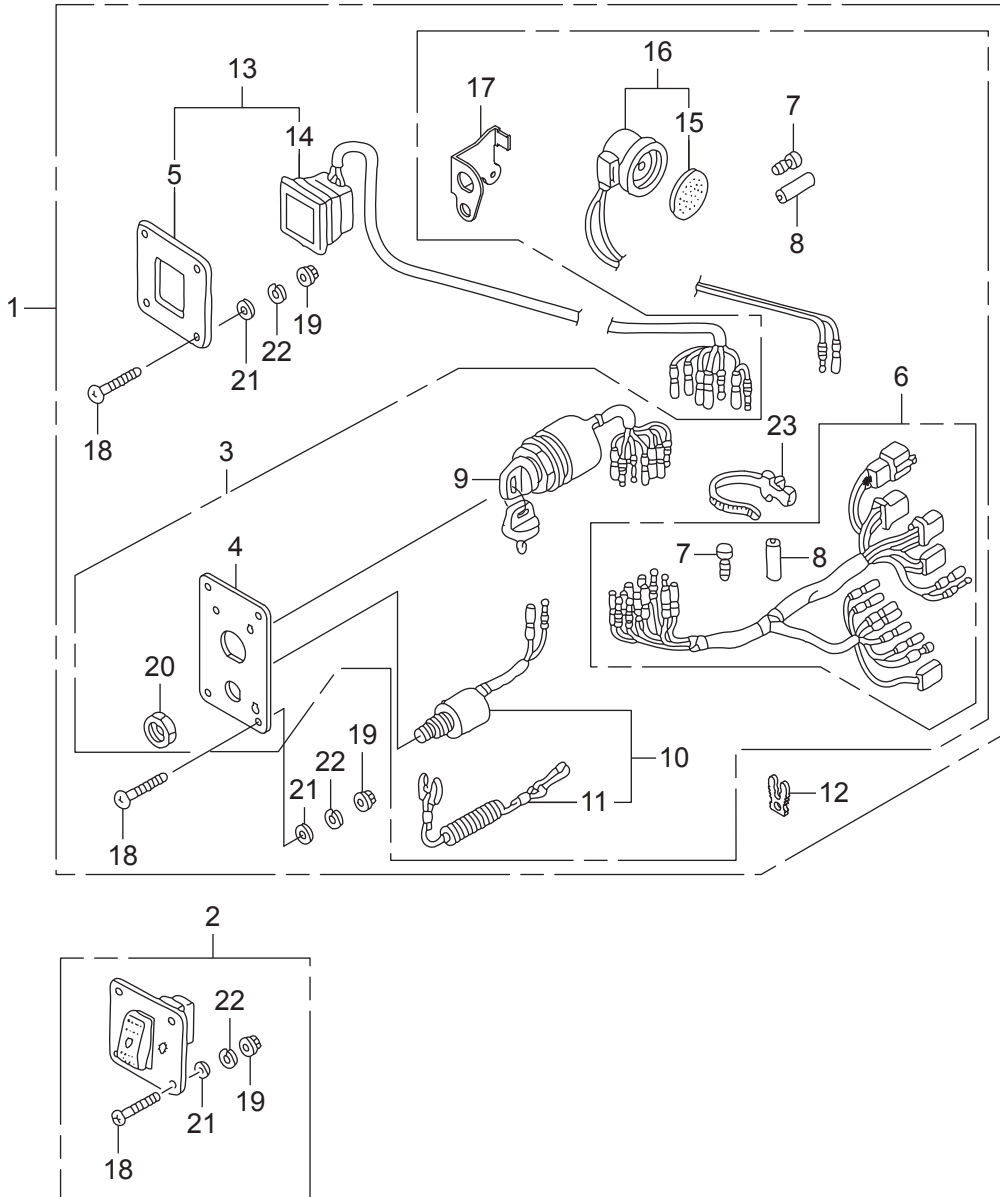


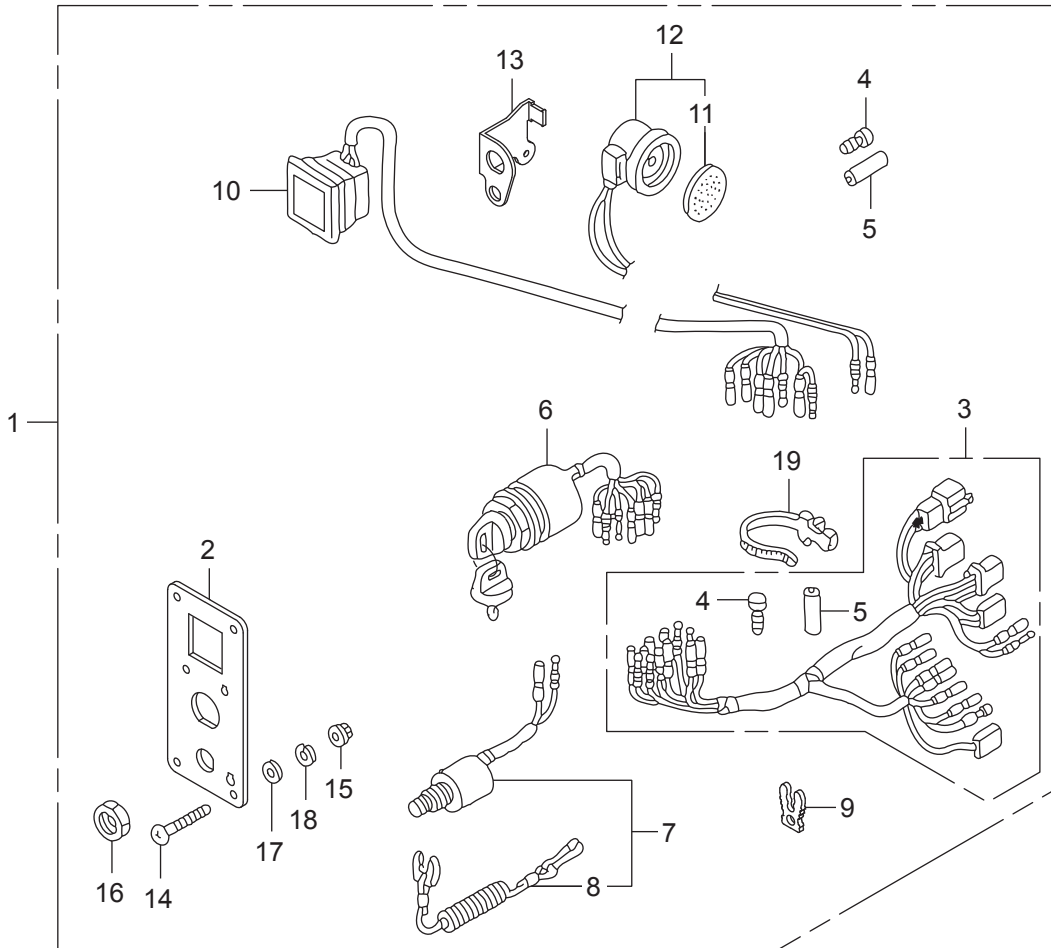


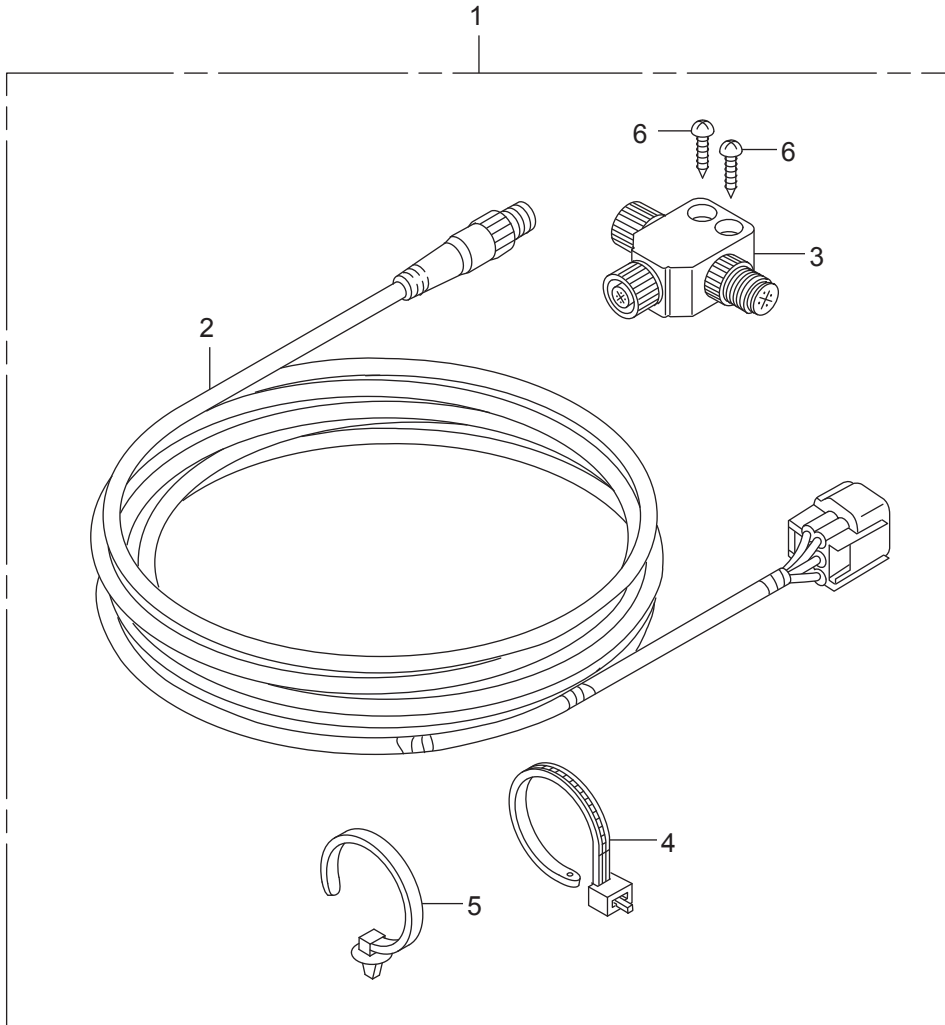


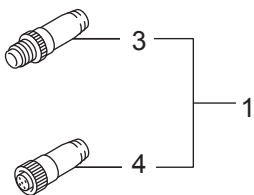
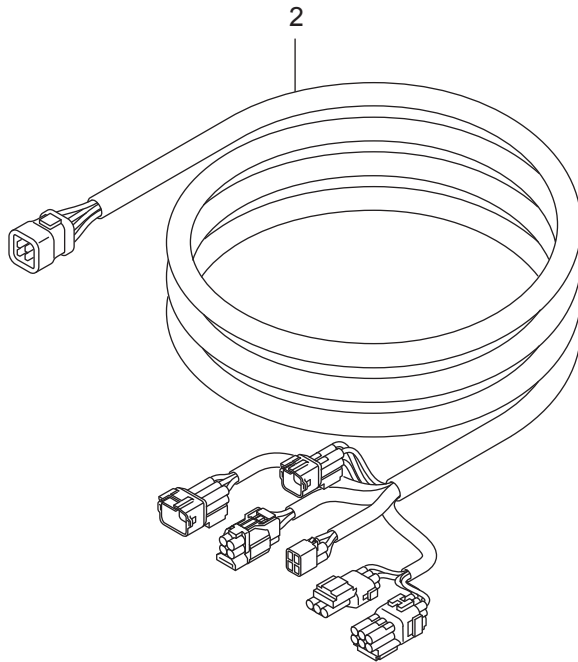
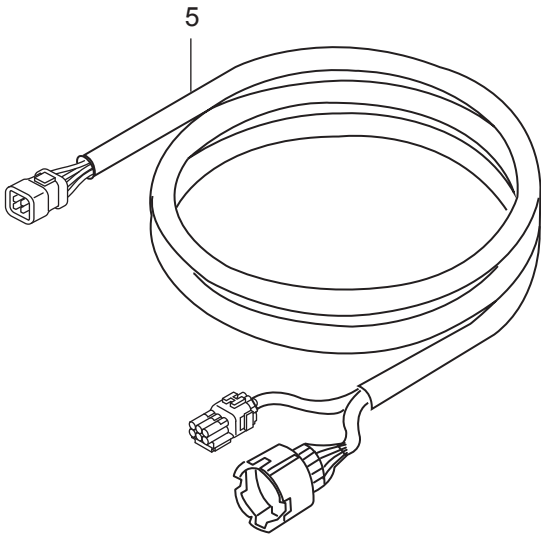


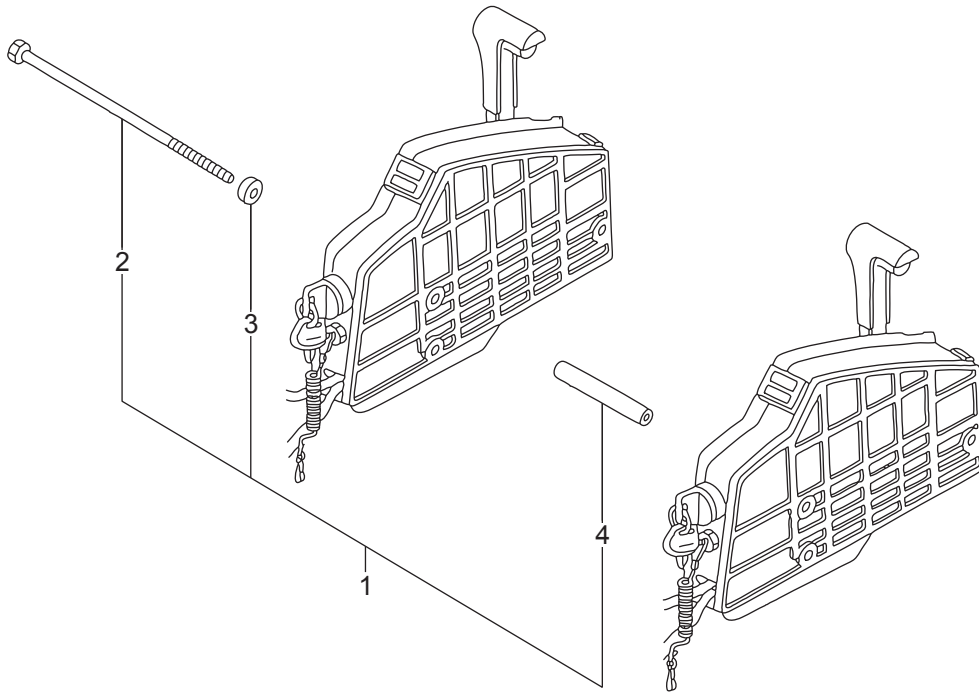
Ref.No.	Part No.	Description	Q' ty			Remarks	
			BFT200D	BFT225D	BFT250D		
FOP-5-3	1	HZZ3-06323-R23	PANEL KIT, SWITCH(B)(4-LED)	1	1	1	
FOP-5-3	2	HZZ5-06352-M00	SWITCH KIT, LIGHT	1	-	-	LRA
FOP-5-3	3	HZZ3-32341-R32	PANEL ASSY., SWITCH	1	1	1	
FOP-5-3	4	HZZ3-32346-R22	PANEL, CONTROL	1	1	1	
FOP-5-3	5	HZZ3-32347-R02	PANEL, CONTROL	1	1	1	
FOP-5-3	6	HZZ5-32545-000	HARNESS ASSY., SWITCH PANEL	1	1	1	
FOP-5-3	7	HZV5-32823-003	PLUG, INNER CONNECTOR	8	8	8	
FOP-5-3	8	HZV5-32824-003	PLUG, OUTER CONNECTOR	3	3	3	
FOP-5-3	9	HZZ3-35100-R12	SWITCH ASSY., COMBINATION	1	1	1	
FOP-5-3	10	HZV5-36180-033	SWITCH ASSY., EMERGENCY STOP	1	1	1	
FOP-5-3	11	HZV4-36182-651	CORD COMP., EMERGENCY	1	1	1	
FOP-5-3	12	HZV4-36187-652	CLIP, EMERGENCY LOCK	1	1	1	
FOP-5-3	13	HZZ3-37205-R03	PANEL ASSY., INDICATOR(4-LED)	1	1	1	
FOP-5-3	14	HZZ5-37210-763	LAMP ASSY., INDICATION(4-LED)	1	1	1	
FOP-5-3	15	H341-38403-672	PLATE, WINKER BUZZER	1	1	1	
FOP-5-3	16	HZV5-38410-003	BUZZER COMP., WARNING	1	1	1	
FOP-5-3	17	HZZ5-38414-003	BRACKET, BUZZER	1	1	1	
FOP-5-3	18	HZW5-90109-000	SCREW, PAN, 5X40	12	-	-	LRA
FOP-5-3	18	HZW5-90109-000	SCREW, PAN, 5X40	8	-	-	XCRA,XRA
FOP-5-3	18	HZW5-90109-000	SCREW, PAN, 5X40	-	8	8	
FOP-5-3	19	HZZ5-90301-M00	NUT, FLANGE, 5MM	12	-	-	LRA
FOP-5-3	19	HZZ5-90301-M00	NUT, FLANGE, 5MM	8	-	-	XCRA,XRA
FOP-5-3	19	HZZ5-90301-M00	NUT, FLANGE, 5MM	-	8	8	
FOP-5-3	20	H921-90302-000	NUT, HEX., 16MM	1	1	1	
FOP-5-3	21	HZZ5-90501-M00	WASHER, PLAIN, 5MM	12	-	-	LRA
FOP-5-3	21	HZZ5-90501-M00	WASHER, PLAIN, 5MM	8	-	-	XCRA,XRA
FOP-5-3	21	HZZ5-90501-M00	WASHER, PLAIN, 5MM	-	8	8	
FOP-5-3	22	HZZ5-90502-M00	WASHER, SPRING, 5MM	12	-	-	LRA
FOP-5-3	22	HZZ5-90502-M00	WASHER, SPRING, 5MM	8	-	-	XCRA,XRA



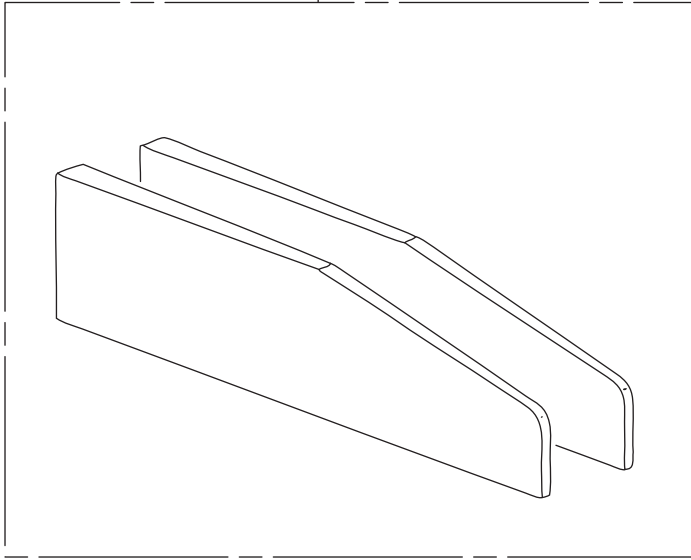




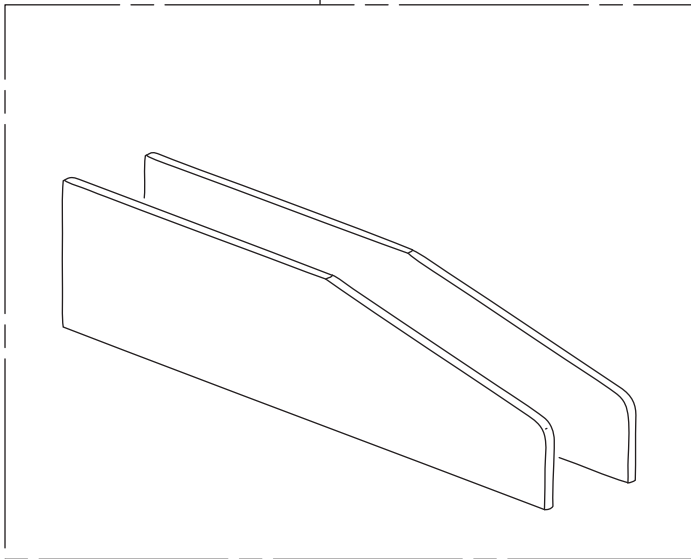


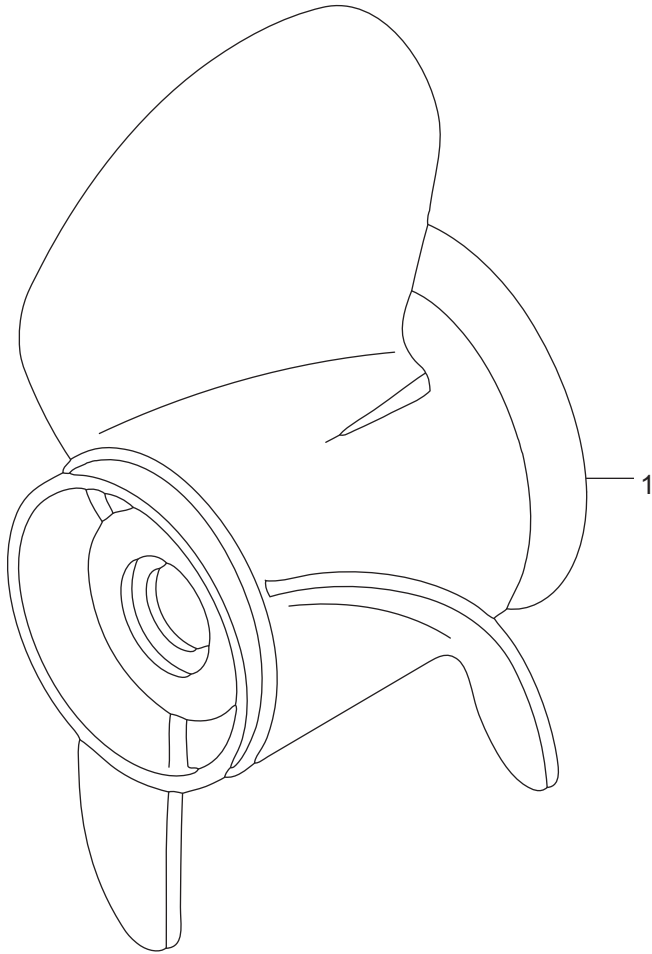


1

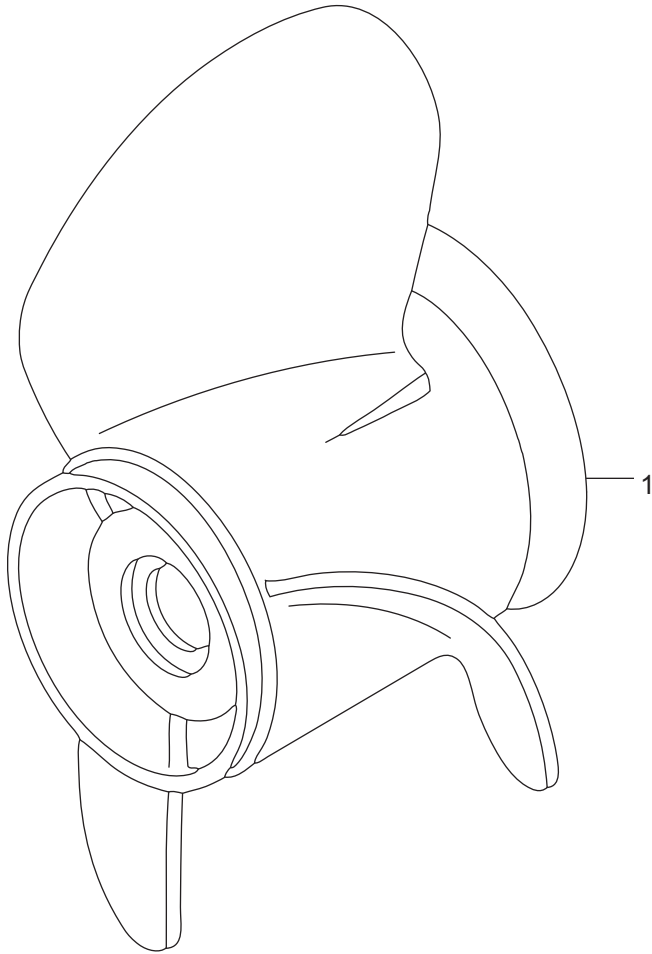


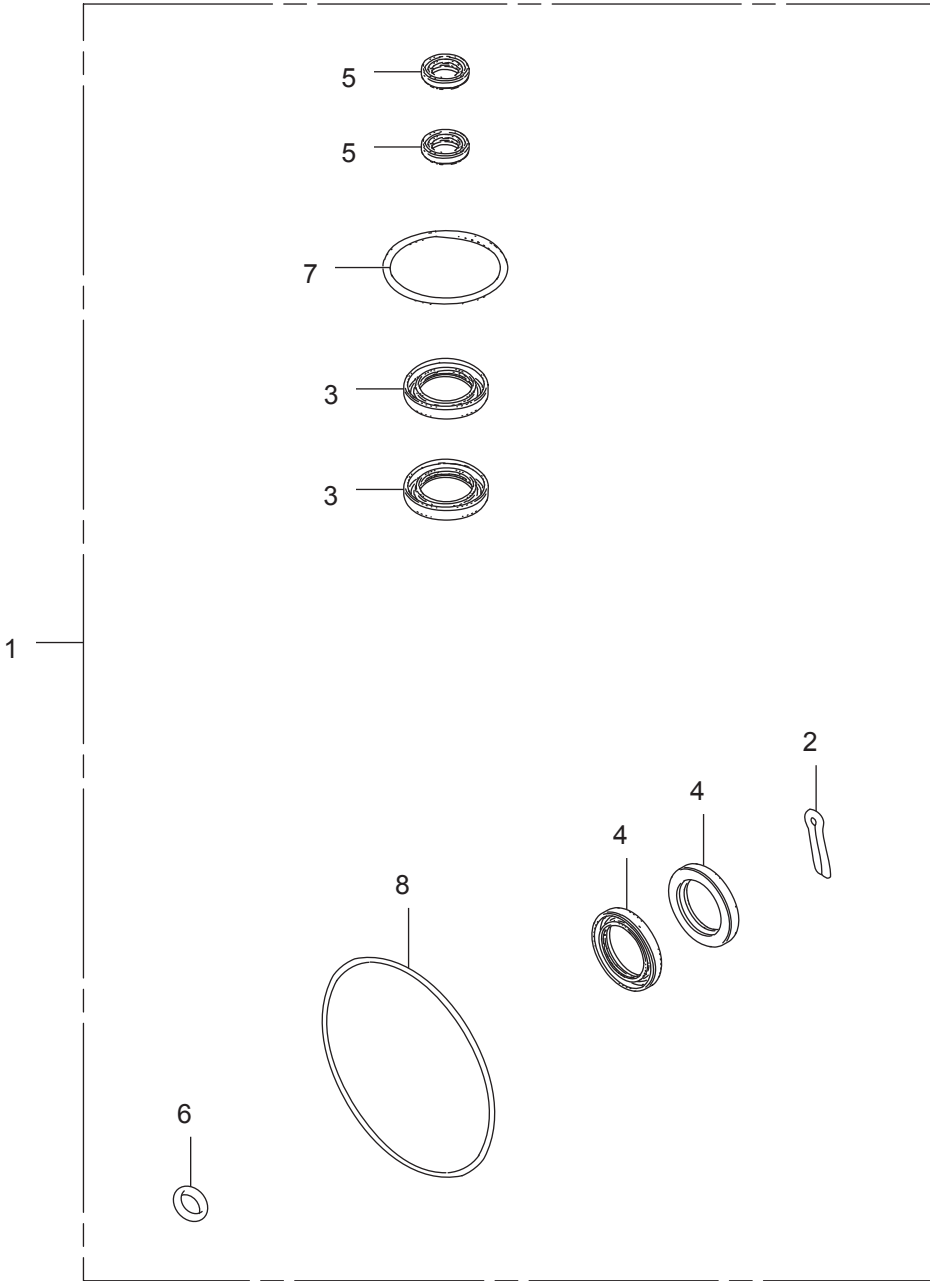
2





Ref.No.	Part No.	Description	Q' ty			Remarks	
			BFT200D	BFT225D	BFT250D		
FOP-15	1	HZY3-58130-T00	PROPELLER COMP., THREE BLADES (14-1/2 x 15) (SUS)	1	1	-	LRA,XRA
FOP-15	1	HZY3-58130-T10	PROPELLER COMP., THREE BLADES (14-1/4 x 17) (SUS)	1	1	-	LRA,XRA
FOP-15	1	HZY3-58130-T20	PROPELLER COMP., THREE BLADES (14 x 19) (SUS)	1	1	-	LRA,XRA
FOP-15	1	HZY3-58130-T30	PROPELLER COMP., THREE BLADES (14 x 21) (SUS)	1	1	-	LRA,XRA
FOP-15	1	HZY3-58130-T40	PROPELLER COMP., THREE BLADES (14-1/4 x 23) (SUS)	1	1	-	LRA,XRA
FOP-15	1	HZY3-58130-T50	PROPELLER COMP., THREE BLADES (14 x 25) (SUS)	1	1	-	LRA,XRA
FOP-15	1	HZY3-58130-V01ZA	PROPELLER COMP., THREE BLADES (15-1/2 x 13) (AL)	1	1	-	*NH283* STING GRAY LRA,XRA
FOP-15	1	HZY3-58130-V12ZA	PROPELLER COMP., THREE BLADES (15-1/4 x 15) (AL)	1	1	-	*NH283* STING GRAY LRA,XRA
FOP-15	1	HZY3-58130-V22ZA	PROPELLER COMP., THREE BLADES (15 x 17) (AL)	1	1	-	*NH283* STING GRAY LRA,XRA
FOP-15	1	HZY3-58130-V32ZA	PROPELLER COMP., THREE BLADES (14-3/4 x 19) (AL)	1	1	-	*NH283* STING GRAY LRA,XRA
FOP-15	1	HZY3-58130-V42ZA	PROPELLER COMP., THREE BLADES (14-1/2 x 21) (AL)	1	1	-	*NH283* STING GRAY LRA,XRA
FOP-15	1	HZY3-58130-V52ZA	PROPELLER COMP., THREE BLADES (14-1/4 x 23) (AL)	1	1	-	*NH283* STING GRAY LRA,XRA
FOP-15	1	HZY3-58180-T00	PROPELLER COMP., THREE BLADES (14-1/2 x 15) (C/R)	1	1	-	XCRA
FOP-15	1	HZY3-58180-T10	PROPELLER COMP., THREE BLADES (14-1/4 x 17) (C/R)	1	1	-	XCRA
FOP-15	1	HZY3-58180-T20	PROPELLER COMP., THREE BLADES (14 x 19) (C/R)	1	1	-	XCRA
FOP-15	1	HZY3-58180-T30	PROPELLER COMP., THREE BLADES (14 x 21) (C/R)	1	1	-	XCRA
FOP-15	1	HZY3-58180-T40	PROPELLER COMP., THREE BLADES (14-1/2 x 23) (C/R)	-	-	1	XCRA
FOP-15	1	HZX2-58130-T01	PROPELLER COMP., THREE BLADES (15-3/4 x 15)	-	-	1	LRA,URA,XRA
FOP-15	1	HZX2-58130-T11	PROPELLER COMP., THREE BLADES (15-1/2 x 17)	-	-	1	LRA,URA,XRA
FOP-15	1	HZX2-58130-T21	PROPELLER COMP., THREE BLADES (15-1/4 x 19)	-	-	1	LRA,URA,XRA
FOP-15	1	HZX2-58130-T31	PROPELLER COMP., THREE BLADES (15 x 21)	-	-	1	LRA,URA,XRA
FOP-15	1	HZX2-58130-T41	PROPELLER COMP., THREE BLADES (14-3/4 x 23)	-	-	1	LRA,URA,XRA
FOP-15	1	HZX2-58130-T51	PROPELLER COMP., THREE BLADES (14-1/2 x 25)	-	-	1	LRA,URA,XRA
FOP-15	1	HZX2-58130-T61	PROPELLER COMP., THREE BLADES (14-1/2 x 27)	-	-	1	LRA,URA,XRA
FOP-15	1	HZX2-58180-T01	PROPELLER COMP., THREE BLADES (15-3/4 x 15) (C/R)	-	-	1	UCRA,XCRA
FOP-15	1	HZX2-58180-T11	PROPELLER COMP., THREE BLADES (15-1/2 x 17) (C/R)	-	-	1	UCRA,XCRA
FOP-15	1	HZX2-58180-T21	PROPELLER COMP., THREE BLADES (15-1/4 x 19) (C/R)	-	-	1	UCRA,XCRA
FOP-15	1	HZX2-58180-T31	PROPELLER COMP., THREE BLADES (15 x 21) (C/R)	-	-	1	UCRA,XCRA
FOP-15	1	HZX2-58180-T41	PROPELLER COMP., THREE BLADES (14-3/4 x 23) (C/R)	-	-	1	UCRA,XCRA





INDEX

<A>		
ADJUSTER.....	FOP-3-3-17	
ARM ASSY., BRAKE.....	FOP-3-3-7	
ARM ASSY., FR. INTAKE ROCKER.....	E-9-10-3	
ARM ASSY., INTAKE ROCKER.....	E-9-10-4	
ARM COMP. A, EX. ROCKER.....	E-9-10-5	
ARM COMP. B, EX. ROCKER.....	E-9-10-6	
ARM, NEUTRAL LOCK.....	FOP-3-1-5	
ARM, NEUTRAL LOCK.....	FOP-3-3-4	
ARM, SHIFT(MECH).....	F-2-11	
ARM, THROTTLE.....	F-2-4	
ARMATURE COMP.....	F-11-7	
		
BAG, TOOL, 200MM.....	F-13-7	
BALL, STEEL.....	E-21-6	
BALL, STEEL, #12(3/8).....	F-5-33	
BALL, STEEL, #12(3/8).....	F-5-1-35	
BALL, STEEL, #7(7/32).....	F-5-32	
BALL, STEEL, #7(7/32).....	F-5-1-34	
BAND.....	E-18-44	
BAND(BLACK 3.5X140).....	F-11-3	
BAND, AIR FLOW.....	E-15-7	
BAND, TUBE CLIP, 12.5MM.....	F-13-9	
BAND, WIRE.....	F-10-6	
BAND, WIRE.....	F-10-6	
BAND, WIRE.....	FOP-3-3-37	
BAND, WIRE HARNESS(NATURAL) (150MM).....	FOP-5-3-23	
BAND, WIRE HARNESS(NATURAL)(150MM).....	FOP-5-4-19	
BAND, WIRE, 165MM(BLACK).....	F-7-10-21	
BASE.....	FOP-3-1-15	
BASE COMP., TIMING BELT.....	E-13-10	
BASE, L. INJECTOR.....	E-14-18	
BASE, R. INJECTOR.....	E-14-16	
BEARING A, CONNECTING ROD (BLACK).....	E-7-7	
BEARING A, MAIN LOWER(BLACK).....	E-7-11	
BEARING A, MAIN UPPER(BLACK).....	E-7-9	
BEARING B, CONNECTING ROD(BROWN).....	E-7-7	
BEARING B, MAIN LOWER(BROWN).....	E-7-11	
BEARING B, MAIN UPPER(BROWN).....	E-7-9	
BEARING C, CONNECTING ROD(GREEN).....	E-7-7	
BEARING C, MAIN LOWER(GREEN).....	E-7-11	
BEARING C, MAIN UPPER(GREEN).....	E-7-9	
BEARING D, CONNECTING ROD(YELLOW).....	E-7-7	
BEARING D, MAIN LOWER(YELLOW).....	E-7-11	
BEARING D, MAIN UPPER(YELLOW).....	E-7-9	
BEARING E, CONNECTING ROD(PINK).....	E-7-7	
BEARING E, MAIN LOWER(PINK).....	E-7-11	
BEARING E, MAIN UPPER(PINK).....	E-7-9	
BEARING F, MAIN LOWER(RED).....	E-7-11	
BEARING F, MAIN UPPER(RED).....	E-7-9	
BEARING(1).....	FOP-3-3-59	
BEARING(2).....	FOP-3-3-70	
BEARING(3).....	FOP-3-3-71	
BEARING, FR. GENERATOR.....	E-19-3	
BEARING, NEEDLE, 20X28X13.....	E-6-10-43	
BEARING, NEEDLE, 28X39X30.....	F-5-26	
BEARING, NEEDLE, 28X39X30.....	F-5-1-28	
BEARING, NEEDLE, 30.5X47X37.....	F-4-25	
BEARING, NEEDLE, 32X42X30.....	F-5-27	
BEARING, NEEDLE, 32X42X30.....	F-5-1-29	
BEARING, NEEDLE, 50X72X4.5.....	F-5-1-25	
BEARING, RADIAL BALL.....	F-5-25	
BEARING, RADIAL BALL.....	F-5-1-27	
BEARING, RR. GENERATOR.....	E-19-2	
BEARING, TAPER ROLLER.....	F-4-26	
BEARING, TAPER ROLLER.....	F-5-24	
BEARING, THRUST NEEDLE.....	F-5-1-26	
BEARING, THRUST(F).....	F-5-23	
BEARING, THRUST(F).....	F-5-1-24	
BELT, A.C. GENERATOR.....	E-13-17	
BELT, TIMING(197YU26 B-323).....	E-13-6	
BLOCK ASSY., CYLINDER.....	E-3-3	
BODY.....	E-18-3	
BODY, OIL JET.....	E-3-13	
BOLT A, THROUGH.....	E-21-14	
BOLT COMP., OIL JET.....	E-3-14	
BOLT KIT, SIDE REMOTE CONTROL.....	FOP-12-1	
BOLT, 1/4-28UNF.....	F-10-37	
BOLT, 12MM.....	E-5-13	
BOLT, 3/8-24UNF.....	F-10-46	
BOLT, 5X25.....	FOP-3-3-55	
BOLT, 8X50.....	FOP-3-3-54	
BOLT, CONNECTING ROD.....	E-7-5	
BOLT, DRAIN PLUG.....	E-6-11	
BOLT, DRAIN PLUG.....	F-3-15	
BOLT, FLANGE, 10X110.....	E-21-19	
BOLT, FLANGE, 10X120(SATO).....	E-6-10-26	
BOLT, FLANGE, 10X40.....	E-13-26	
BOLT, FLANGE, 10X43.....	E-13-27	
BOLT, FLANGE, 10X55.....	E-3-10-10	
BOLT, FLANGE, 10X70.....	E-6-10-52	
BOLT, FLANGE, 10X90.....	E-19-21	
BOLT, FLANGE, 10X90.....	E-21-20	
BOLT, FLANGE, 12X120.....	E-6-10-53	
BOLT, FLANGE, 12X95.....	E-3-26	
BOLT, FLANGE, 6X10.....	E-14-27	
BOLT, FLANGE, 6X10.....	E-18-115	
BOLT, FLANGE, 6X10.....	E-20-10-10	
BOLT, FLANGE, 6X10.....	F-7-10-15	
BOLT, FLANGE, 6X11.....	F-2-29	
BOLT, FLANGE, 6X12.....	F-3-20-37	
BOLT, FLANGE, 6X12.....	F-7-7	
BOLT, FLANGE, 6X12.....	F-7-10-16	
BOLT, FLANGE, 6X12.....	F-10-38	
BOLT, FLANGE, 6X12.....	F-10-39	
BOLT, FLANGE, 6X14.....	E-5-22	
BOLT, FLANGE, 6X14.....	E-14-26	
BOLT, FLANGE, 6X14.....	E-18-50	
BOLT, FLANGE, 6X14.....	E-18-114	
BOLT, FLANGE, 6X14.....	F-2-27	
BOLT, FLANGE, 6X14.....	F-7-6	
BOLT, FLANGE, 6X14(CT200).....	E-1-12	
BOLT, FLANGE, 6X14(CT200).....	E-3-30	
BOLT, FLANGE, 6X14(CT200).....	E-13-20	
BOLT, FLANGE, 6X16.....	E-3-32	
BOLT, FLANGE, 6X16.....	E-13-23	
BOLT, FLANGE, 6X16.....	E-18-49	
BOLT, FLANGE, 6X16.....	E-19-23	
BOLT, FLANGE, 6X16.....	F-2-26	
BOLT, FLANGE, 6X16.....	F-4-18	
BOLT, FLANGE, 6X18.....	E-3-35	
BOLT, FLANGE, 6X18.....	E-5-23	
BOLT, FLANGE, 6X20.....	E-20-6	
BOLT, FLANGE, 6X20.....	F-7-20-7	
BOLT, FLANGE, 6X20.....	F-10-35	
BOLT, FLANGE, 6X20.....	F-10-43	
BOLT, FLANGE, 6X22.....	E-3-36	
BOLT, FLANGE, 6X22.....	E-6-10-31	
BOLT, FLANGE, 6X22.....	E-13-24	
BOLT, FLANGE, 6X22.....	E-14-10-13	
BOLT, FLANGE, 6X22.....	E-15-16	
BOLT, FLANGE, 6X23.....	F-10-36	
BOLT, FLANGE, 6X25.....	E-3-10-7	
BOLT, FLANGE, 6X25.....	E-14-24	
BOLT, FLANGE, 6X25.....	E-18-47	
BOLT, FLANGE, 6X25.....	F-3-20-41	
BOLT, FLANGE, 6X25.....	F-3-30-8	
BOLT, FLANGE, 6X28.....	E-18-48	
BOLT, FLANGE, 6X32.....	E-3-10-9	
BOLT, FLANGE, 6X32.....	E-6-10-32	
BOLT, FLANGE, 6X32.....	E-14-10-14	
BOLT, FLANGE, 6X35.....	E-1-13	
BOLT, FLANGE, 6X35.....	E-3-33	
BOLT, FLANGE, 6X35.....	E-4-15	
BOLT, FLANGE, 6X35.....	E-14-25	
BOLT, FLANGE, 6X37.....	E-3-10-12	
BOLT, FLANGE, 6X40.....	E-6-10-37	
BOLT, FLANGE, 6X55.....	E-3-10-11	
BOLT, FLANGE, 6X60.....	E-4-17	
BOLT, FLANGE, 8X120.....	E-6-10-34	
BOLT, FLANGE, 8X18.....	F-3-20-35	
BOLT, FLANGE, 8X18.....	F-7-10-17	
BOLT, FLANGE, 8X20.....	E-9-12	
BOLT, FLANGE, 8X22.....	F-10-44	
BOLT, FLANGE, 8X25.....	E-3-10-15	
BOLT, FLANGE, 8X28.....	E-9-13	
BOLT, FLANGE, 8X30.....	E-5-24	
BOLT, FLANGE, 8X30.....	E-6-10-35	

BOLT, FLANGE, 8X30	E-9-10-20	BOLT-WASHER, 8X60	FOP-2-9
BOLT, FLANGE, 8X35	E-3-38	BOSS, FLYWHEEL	E-5-12
BOLT, FLANGE, 8X40	E-4-18	BOX ASSY., JUNCTION	F-7-20-1
BOLT, FLANGE, 8X40	E-9-10-21	BOX ASSY., REMOTE CONTROL	FOP-3-3-1
BOLT, FLANGE, 8X50	E-3-34	BOX KIT, REMOTE CONTROL	FOP-3-1
BOLT, FLANGE, 8X50	E-14-10-15	BOX KIT, REMOTE CONTROL	FOP-3-1-1
BOLT, FLANGE, 8X60	E-4-16	BOX KIT, REMOTE CONTROL	FOP-3-2-1
BOLT, FLANGE, 8X65	E-15-17	BRACKET	FOP-3-3-11
BOLT, FLANGE, 8X75	E-3-37	BRACKET	FOP-5-14
BOLT, HEX	F-11-32	BRACKET	FOP-5-1-14
BOLT, HEX., 10X60	E-6-10-30	BRACKET	FOP-5-2-14
BOLT, HEX., 10X85	E-6-10-29	BRACKET ASSY.	F-11-6
BOLT, HEX., 12X120	E-6-10-27	BRACKET C, HARNESS CLIP	E-1-10
BOLT, HEX., 12X130	F-10-48	BRACKET, A.C. GENERATOR FUSE	E-20-10-3
BOLT, HEX., 12X200	F-10-41	BRACKET, BUZZER	FOP-5-3-17
BOLT, HEX., 12X45	F-5-13	BRACKET, BUZZER	FOP-5-4-13
BOLT, HEX., 12X45	F-5-1-13	BRACKET, CLIP B	E-1-9
BOLT, HEX., 12X65	E-6-10-28	BRACKET, CLIP B	E-3-21
BOLT, HEX., 14X180	F-3-20-39	BRACKET, COUPLER A	E-20-10-4
BOLT, HEX., 6X14	F-10-45	BRACKET, COUPLER C	F-7-10-2
BOLT, HEX., 6X16	E-6-10	BRACKET, COUPLER D	E-13-18
BOLT, HEX., 6X40	F-2-30	BRACKET, COUPLER D	E-20-10-5
BOLT, HEX., 6X55	F-3-27	BRACKET, FR	E-21-11
BOLT, IDLER	E-13-13	BRACKET, FUEL PUMP COUPLER	E-1-8
BOLT, OIL CHECK	F-3-11	BRACKET, HARNESS CLIP A	E-14-23
BOLT, RECESSED	F-11-29	BRACKET, HOOK FR	F-8-2
BOLT, SEALING, 18MM	E-5-10	BRACKET, HOOK L	F-8-6
BOLT, SEALING, 22MM	E-3-6	BRACKET, HOOK R	F-8-5
BOLT, SEALING, 22MM	E-3-39	BRACKET, JUNCTION CONNECTOR	F-7-2
BOLT, SEALING, 22MM	E-3-10-13	BRACKET, L. STERN	F-10-26
BOLT, SEALING, 22MM	E-5-15	BRACKET, NEUTRAL SWITCH	F-2-24
BOLT, SEALING, 6MM	E-18-45	BRACKET, R. STERN	F-10-25
BOLT, SOCKET(A)	F-11-30	BRACKET, REMOTE CONTROL HOUSING	FOP-3-11
BOLT, SOCKET(B)	F-11-31	BRACKET, REMOTE CONTROL HOUSING	FOP-3-2-12
BOLT, SOCKET, 6X20	F-8-8	BRACKET, RR	E-21-12
BOLT, SOCKET, 6X25	F-8-7	BRACKET, SHIFT LINK(MECH)	F-2-21
BOLT, SPECIAL ADJUSTER	E-19-22	BRACKET, TILT LIMIT SWITCH	F-10-22
BOLT, SPECIAL, 6X17	F-3-30-9	BRACKET, TILTING	F-10-29
BOLT, SPECIAL, 6X17	F-3-30-9	BRACKET, UNDER CASE FR	F-3-20-16
BOLT, SPECIAL, 6X220	FOP-12-2	BRACKET, WIRE CLAMP	FOP-3-3-15
BOLT, SPECIAL, 8MM	E-5-14	BREAKER ASSY.	F-11-1
BOLT, SPECIAL, 8X29	E-13-10-9	BRUSH ASSY.	F-11-2
BOLT, STUD, 10X170	F-3-18	BRUSH SET	E-21-7
BOLT, STUD, 10X28	F-10-42	BUSH A, THRUST RECEIVE	F-10-32
BOLT, STUD, 10X45	E-6-10-33	BUSH B, THRUST RECEIVE	F-10-33
BOLT, STUD, 12X170	F-3-17	BUSH COMP., VERTICAL SHAFT	F-3-20-20
BOLT, STUD, 12X40	F-3-16	BUSH, INSULATION	E-19-4
BOLT, STUD, 6X68	E-19-8	BUSH, INSULATION	E-19-18
BOLT, STUD, 8X28	E-14-28	BUSH, LOWER CYLINDER	F-11-25
BOLT, STUD, 8X45	E-14-29	BUSH, MOTOR CODE	F-11-20
BOLT, TENSIONER	E-19-24	BUSH, SHIFT ARM	F-2-19
BOLT, TIMING BELT ADJUSTING SPRING	E-13-21	BUSH, SWIVEL CASE	F-10-21
BOLT, TIMING BELT COVER	E-13-10-8	BUSH, SWIVEL CASE	F-11-12
BOLT, TIMING BELT IDLER	E-13-14	BUSH, TILT ARM	F-10-28
BOLT, TORX(M6X20)	E-20-10-9	BUTTON, THROTTLE	FOP-3-8
BOLT-WASHER, 10X109	E-3-27	BUTTON, THROTTLE	FOP-3-1-8
BOLT-WASHER, 10X32	F-3-13	BUTTON, THROTTLE	FOP-3-2-9
BOLT-WASHER, 10X32	F-10-40	BUZZER COMP., WARNING	FOP-3-3-42
BOLT-WASHER, 10X35	F-3-20-36	BUZZER COMP., WARNING	FOP-5-13
BOLT-WASHER, 10X47	F-3-14	BUZZER COMP., WARNING	FOP-5-1-13
BOLT-WASHER, 10X60	E-3-28	BUZZER COMP., WARNING	FOP-5-2-13
BOLT-WASHER, 10X80	E-3-29	BUZZER COMP., WARNING	FOP-5-3-16
BOLT-WASHER, 11X105	E-3-31	BUZZER COMP., WARNING	FOP-5-4-12
BOLT-WASHER, 12X163	E-9-11	<C>	
BOLT-WASHER, 12X35	E-13-25	CABLE ASSY., CONVERSION (10FT)	FOP-10-5
BOLT-WASHER, 12X50	F-3-20-38	CABLE ASSY., CONVERSION (6FT)	FOP-10-5
BOLT-WASHER, 16X49	E-13-22	CABLE ASSY., INTERFACE(10FT)	FOP-7-2
BOLT-WASHER, 5X12	E-14-10-11	CABLE ASSY., INTERFACE(16FT)	FOP-7-2
BOLT-WASHER, 5X16	E-13-10-7	CABLE ASSY., INTERFACE(6FT)	FOP-7-2
BOLT-WASHER, 5X28	E-14-10-12	CABLE ASSY., PANEL INDICATOR (30FT)	FOP-10-2
BOLT-WASHER, 6X16	F-2-28	CABLE ASSY., PANEL INDICATOR (20FT)	FOP-10-2
BOLT-WASHER, 6X25	E-15-15	CABLE ASSY., PANEL INDICATOR (25FT)	FOP-10-2
BOLT-WASHER, 6X25	F-7-10-13	CABLE ASSY., POWER TILT RELAY	F-7-10-7
BOLT-WASHER, 6X27	E-20-5	CABLE ASSY., REMOTE CONTROL(B)	FOP-3-3-31
BOLT-WASHER, 6X27	E-20-10-8	CABLE ASSY., STARTER	F-7-10-3
BOLT-WASHER, 6X27	F-7-10-14	CABLE COMP., THROTTLE	E-15-9
BOLT-WASHER, 6X29	E-6-10-36	CABLE KIT, INTERFACE(10FT)	FOP-7-1
BOLT-WASHER, 6X60	E-15-18	CABLE KIT, INTERFACE(16FT)	FOP-7-1
BOLT-WASHER, 8X28(SUS)	E-6-9	CAM A, TILT LIMIT ANGLE	F-10-23
BOLT-WASHER, 8X35	E-18-46	CAM B, TILT LIMIT ANGLE	F-10-24
BOLT-WASHER, 8X35	F-3-20-40	CAMSHAFT, L	E-9-10-2
BOLT-WASHER, 8X35(SUS)	E-6-8	CAMSHAFT, L	E-9-10-2
BOLT-WASHER, 8X60	F-4-17	CAMSHAFT, R	E-9-10-1

CAMSHAFT, R.	E-9-10-1	CLIP, WIRE HARNESS	F-10-67
CAP ASSY., OIL FILLER	E-3-10-5	CLIP, WIRE HARNESS, 10MM.	E-14-31
CAP COMP., OIL TANK	F-11-28	CLIP, WIRE HARNESS, 25MM.	E-1-15
CAP, BOLT, 10MM.	E-3-10-14	CLIP, WIRE HARNESS, 25MM.	E-20-10-11
CAP, DUMMY(WPC 4P 090 M)(RED).....	F-7-5	CLUTCH COMP., OVERRUNNING	E-21-3
CAP, GRIP	FOP-3-6	COIL ASSY., PLUG TOP	E-20-1
CAP, GRIP	FOP-3-2-8	COLLAR	E-18-26
CAP, L. SIDE COVER	F-3-20-33	COLLAR A, COVER LOCK	F-3-20-28
CAP, RUBBER	FOP-3-3-16	COLLAR B, COVER LOCK	F-3-20-29
CAP, SWITCH	FOP-3-7	COLLAR, 12X6.5	F-3-30-11
CAP, TIMING BELT TENSIONER.....	E-13-8	COLLAR, 5.5X6.8	E-14-10-8
CAP, TROLLING CONTROL SWITCH BLANK.....	FOP-3-3-23	COLLAR, 8.5X14.5	E-18-54
CAP, WATER JOINT	F-3-20-5	COLLAR, 8.5X14.5	F-3-20-52
CARTRIDGE, OIL FILTER	E-3-10-4	COLLAR, C.D.I. UNIT CASE	E-15-20
CASE ASSY., ENGINE UNDER.....	F-3-20-9	COLLAR, C.D.I. UNIT CASE	E-20-7
CASE ASSY., GEAR(L)	F-3-10-1	COLLAR, C.D.I. UNIT CASE	E-20-10-12
CASE ASSY., GEAR(UL)	F-3-10-1	COLLAR, C.D.I. UNIT CASE	F-7-10-25
CASE ASSY., GEAR(UL)	F-3-10-1	COLLAR, DISTANCE	F-4-33
CASE ASSY., GEAR(XL)	F-3-10-1	COLLAR, DISTANCE	FOP-2-14
CASE ASSY., GEAR(XL)	F-3-10-1	COLLAR, DISTANCE(A)	FOP-12-3
CASE ASSY., OIL SEAL	E-3-2	COLLAR, DISTANCE(B)	FOP-12-4
CASE COMP., GEAR	F-3-10	COLLAR, DISTANCE, 6.5X9X3	F-8-11
CASE COMP., MOUNT	E-6-10-24	COLLAR, MOUNTING(6MM)	F-7-10-24
CASE COMP., PUMP	E-18-28	COLLAR, ORIFICE	F-11-46
CASE KIT, GEAR	FOP-17-1	COLLAR, SET	E-18-23
CASE, ELECTRONIC CONTROL UNIT.....	E-20-10-7	COLLAR, SHIFT SLIDER	F-2-13
CASE, ELECTRONIC PARTS	E-20-10-1	COLLAR, STEERING ROD	F-10-70
CASE, EXTENSION(L)	F-3-20-18	COLLAR, TIMING BELT COVER	E-13-10-10
CASE, EXTENSION(XL)	F-3-20-17	CONNECTOR KIT, TERMINATOR.....	FOP-10-1
CASE, FLUSH VALVE	E-6-10-9	CONNECTOR(T)	FOP-7-3
CASE, GEAR	F-3-3	CONTROL UNIT, ELECTRONIC.....	E-20-10-6
CASE, POWER TILT RELAY	F-7-10-12	CONTROL UNIT, ELECTRONIC.....	E-20-10-6
CASE, SWIVEL(L)	F-10-19	CONTROL UNIT, ELECTRONIC.....	E-20-10-6
CASE, SWIVEL(XL)	F-10-19	CORD COMP., EMERGENCY.....	FOP-3-3-39
CIRCLIP, EXTERNAL, 15MM	F-5-31	CORD COMP., EMERGENCY.....	FOP-5-10
CIRCLIP, EXTERNAL, 15MM	F-5-1-33	CORD COMP., EMERGENCY.....	FOP-5-1-10
CIRCLIP, EXTERNAL, 39MM	F-10-66	CORD COMP., EMERGENCY.....	FOP-5-2-10
CIRCLIP, INTERNAL	F-11-34	CORD COMP., EMERGENCY.....	FOP-5-3-11
CIRCLIP, INTERNAL, 43	F-3-20-47	CORD COMP., EMERGENCY.....	FOP-5-4-8
CIRCLIP, INTERNAL, 47MM	F-4-34	CORD, A.C. GENERATOR.....	F-7-10-9
CLAMP	F-6-5	CORD, SWITCH	E-3-22
CLAMP	F-6-8	COTTER, VALVE(FUJI VALVE).....	E-9-10-19
CLAMP B, FUEL TUBE	E-18-1-5	COVER ASSY.	FOP-3-1-11
CLAMP, 6MM-12MM	E-18-10-29	COVER ASSY., COOLING FAN	E-15-10
CLAMP, CHECK VALVE	E-18-10-1	COVER ASSY., CRANKCASE UPPER	E-3-1
CLAMP, HOSE.....	E-14-15	COVER ASSY., ENGINE	F-8-1
CLAMP, HOSE.....	E-18-10-16	COVER ASSY., L. TIMING BELT.....	E-13-10-3
CLAMP, TUBE(D10.5)	E-4-19	COVER ASSY., R. TIMING BELT	E-13-10-2
CLAMP, TUBE(D10.5)	E-6-10-40	COVER B, TERMINAL	F-7-10-6
CLAMP, TUBE(D10.5)	E-18-10-26	COVER B, TERMINAL(L)	F-7-10-5
CLAMP, TUBE(D10.7)	E-18-10-25	COVER COMP.	E-18-4
CLAMP, TUBE(D12)	E-18-10-27	COVER COMP., CYLINDER HEAD(L)	E-1-3
CLAMP, TUBE(D21)	E-4-21	COVER COMP., CYLINDER HEAD(R)	E-1-1
CLAMP, TUBE(D29)	E-4-20	COVER COMP., ENGINE UNDER L	F-3-30-5
CLAMP, TUBE(D32.5)	E-1-14	COVER COMP., ENGINE UNDER L	F-3-30-6
CLIP A, WIRE	E-1-11	COVER COMP., ENGINE UNDER R.....	F-3-30-3
CLIP D, WASHER TUBE	E-1-19	COVER COMP., ENGINE UNDER R.....	F-3-30-4
CLIP, BRAKE PIPE.....	E-15-14	COVER COMP., FUSE	F-7-20-2
CLIP, DETENT	FOP-3-3-9	COVER, BEARING	E-19-5
CLIP, EMERGENCY LOCK	FOP-5-11	COVER, DUAL GRIP	FOP-3-2-7
CLIP, EMERGENCY LOCK	FOP-5-1-11	COVER, FLUSH VALVE	E-6-10-8
CLIP, EMERGENCY LOCK	FOP-5-2-11	COVER, GEAR CASE	F-3-5
CLIP, EMERGENCY LOCK	FOP-5-3-12	COVER, GRIP	FOP-3-1-4
CLIP, EMERGENCY LOCK	FOP-5-4-9	COVER, IMPELLER	F-4-4
CLIP, HARNESS	E-18-52	COVER, IMPELLER	FOP-2-6
CLIP, HARNESS BAND(BLACK)	E-18-1-17	COVER, INTAKE MANIFOLD UPPER.....	E-14-10-4
CLIP, HARNESS BAND(BLACK)	F-2-45	COVER, L. CAMSHAFT THRUST.....	E-9-8
CLIP, HARNESS BAND(BLACK)	F-7-9	COVER, L. GRIP	FOP-3-4
CLIP, HARNESS BAND(BLACK)	F-7-10-26	COVER, L. GRIP	FOP-3-2-5
CLIP, HARNESS BAND(BLACK) (155.3MM).....	FOP-7-5	COVER, L. RELIEF VALVE	E-6-10-19
CLIP, INJECTOR	E-14-2	COVER, L. WATER JACKET	E-6-10-23
CLIP, PISTON PIN	E-7-4	COVER, LEVER	FOP-3-3-6
CLIP, ROLLER	FOP-3-3-73	COVER, LOCK ARM	FOP-3-1-6
CLIP, SENSOR HOSE	E-18-10-24	COVER, NEUTRAL SWITCH.....	F-2-25
CLIP, TUBE	E-6-10-2	COVER, OIL LEVEL GAUGE.....	E-3-16
CLIP, TUBE	F-10-3	COVER, OIL PUMP	E-5-4
CLIP, TUBE(B12)	E-18-1-16	COVER, POWER TRIM-TILT WIRE	FOP-3-3-18
CLIP, TUBE(B12)	E-18-10-28	COVER, POWER TRIM-TILT WIRE	FOP-3-3-19
CLIP, TUBE(B12.5)	E-6-10-41	COVER, PUMP	E-18-29
CLIP, TUBE(B12.5)	F-3-20-46	COVER, PUMP(A)	E-18-31
CLIP, WIRE HARNESS	F-7-8	COVER, R. CAMSHAFT THRUST	E-9-7
CLIP, WIRE HARNESS	F-7-10-22	COVER, R. RELIEF VALVE.....	E-6-10-15
CLIP, WIRE HARNESS	F-7-10-23	COVER, R. WATER JACKET	E-6-10-21

COVER, REMOTE CONTROL CABLE.....	F-2-3	GRIP, REMOTE CONTROL HANDLE.....	FOP-3-5
COVER, RR.....	F-3-30-7	GRIP, REMOTE CONTROL HANDLE.....	FOP-3-2-6
COVER, SEPARATE.....	F-3-20-15	GRIP, SCREW DRIVER.....	F-13-5
COVER, STARTER TERMINAL.....	F-7-10-4	GROMMET.....	E-14-10-10
COVER, THERMOSTAT.....	E-4-13	GROMMET, 1WAY.....	F-3-20-53
COVER, UPPER MOUNT.....	F-10-18	GROMMET, ELECTRONIC PARTS CASE.....	E-20-10-2
COVER, WATER JACKET.....	E-18-12	GROMMET, ELECTRONIC PARTS CASE.....	F-7-10-1
CRANKCASE COMP.....	E-3-10-1	GROMMET, EXTENSION CASE.....	F-4-13
CRANKSHAFT COMP.....	E-7-8	GROMMET, GEAR CASE.....	F-3-4
CUP SET, WATER SEPARATOR.....	E-18-1-18	GROMMET, LOCK HOOK.....	F-8-3
<D>		GROMMET, RELAY.....	F-7-10-11
DOWEL PIN, 10X12.....	E-14-35	GROMMET, RELAY BRACKET.....	E-20-4
DOWEL PIN, 13X37.....	E-3-40	GROMMET, SILENCER.....	E-15-8
DOWEL PIN, 14X15.....	E-5-16	GROMMET, TIMING BELT COVER.....	E-13-10-1
DOWEL PIN, 14X15.....	E-6-10-42	GROMMET, UNDER CASE.....	E-15-13
DOWEL PIN, 16X22.....	E-9-15	GROMMET, UNDER CASE.....	F-3-30-1
DOWEL PIN, 6X10.....	E-3-53	GROMMET, UNDER CASE(C).....	F-11-10
DOWEL PIN, 6X10.....	E-9-14	GROMMET, UNDER CASE(MECH).....	F-3-20-12
DOWEL PIN, 6X10.....	E-13-30	GROMMET, VAPOR SEPARATOR.....	E-18-38
DOWEL PIN, 6X10.....	E-15-21	GROMMET, VAPOR SEPARATOR.....	E-18-39
DOWEL PIN, 6X10.....	F-3-25	GROMMET, WATER CHECK.....	F-3-20-34
DOWEL PIN, 6X10.....	F-3-25	GROMMET, WATER TUBE.....	E-6-6
DOWEL PIN, 6X10.....	F-3-20-50	GROMMET, WIRE(14).....	FOP-3-3-22
DOWEL PIN, 6X10.....	F-4-24	GUIDE COMP., ROD.....	F-11-17
DOWEL PIN, 8X14.....	E-3-10-19	GUIDE, EX. VALVE(O.S.).....	E-9-3
DRIVER 1, PLUS SCREW(NO.2).....	F-13-4	GUIDE, IN. VALVE(O.S.).....	E-9-2
DRUM ASSY., FREE THROTTLE.....	FOP-3-3-27	GUIDE, L. EX.....	E-6-10-6
DUMMY, WATER PROOF CONNECTOR.....	F-7-3	GUIDE, R. EX.....	E-6-10-3
DUMMY, WATER PROOF CONNECTOR (GREEN).....	FOP-5-5	GUIDE, SHIFT LINK(MECH).....	F-2-20
DUMMY, WATER PROOF CONNECTOR (GREEN).....	FOP-5-2-5	<H>	
DUMMY, WATER PROOF CONNECTOR (GREEN).....	FOP-5-1-5	HANDLE, REMOTE CONTROL.....	FOP-3-3
<E>		HANDLE, REMOTE CONTROL.....	FOP-3-1-3
END COVER, RR.....	E-19-17	HANDLE, REMOTE CONTROL.....	FOP-3-2-4
END, NIPPLE.....	F-10-10	HANGER, ENGINE.....	E-3-10-2
E-RING, 10MM.....	F-4-35	HANGER, ENGINE.....	E-9-1
E-RING, 12MM.....	F-2-47	HARNESS ASSY., MAIN WIRE.....	F-7-1
E-RING, 15MM.....	F-11-47	HARNESS ASSY., MAIN WIRE.....	F-7-1
E-RING, 4MM.....	F-2-46	HARNESS ASSY., SWITCH PANEL.....	FOP-5-4
E-RING, 6MM.....	FOP-3-32	HARNESS ASSY., SWITCH PANEL.....	FOP-5-1-4
E-RING, 6MM.....	FOP-3-1-28	HARNESS ASSY., SWITCH PANEL.....	FOP-5-2-4
E-RING, 6MM.....	FOP-3-2-37	HARNESS ASSY., SWITCH PANEL.....	FOP-5-3-6
E-RING, 6MM.....	FOP-3-3-67	HARNESS ASSY., SWITCH PANEL.....	FOP-5-4-3
EXTENSION, OIL FILLER.....	E-3-10-6	HARNESS COMP.....	E-18-43
<F>		HEAD COMP., CYLINDER.....	E-9-5
FAN, COOLING.....	E-13-16	HOLDER.....	E-18-11
FILTER ASSY., SPOOL VALVE.....	E-3-19	HOLDER ASSY., BEARING.....	F-5-1-11
FILTER ASSY., SPOOL VALVE.....	E-3-19	HOLDER ASSY., BRUSH.....	E-19-1
FILTER B.....	F-11-18	HOLDER COMP., BRUSH.....	E-21-10
FLOAT SET.....	E-18-2	HOLDER, BEARING.....	F-5-12
FLYWHEEL COMP.....	E-5-11	HOLDER, NEUTRAL LOCK.....	FOP-3-1-14
FRAME COMP., MOUNTING(L).....	F-10-13	HOLDER, NEUTRAL LOCK.....	FOP-3-3-21
FRAME COMP., MOUNTING(XL).....	F-10-13	HOLDER, OIL FILTER.....	E-3-10-8
FUSE, BLOCK(150A).....	F-7-20-3	HOLDER, PROPELLER SHAFT.....	F-5-11
FUSE, MINI(10A).....	F-7-20-9	HOLDER, PROPELLER SHAFT.....	F-5-1-12
FUSE, MINI(15A).....	F-7-20-10	HOLDER, SEAL.....	F-2-22
FUSE, MINI(30A).....	F-7-20-11	HOLDER, SHIFT ROD.....	F-4-12
<G>		HOOK COMP., COVER LOCK L.....	F-3-20-31
GASKET B, IMPELLER.....	F-4-5	HOOK COMP., COVER LOCK R.....	F-3-20-27
GASKET B, IMPELLER.....	FOP-2-7	HOSE A, PRESSURE REGULATOR.....	E-18-10-18
GASKET COMP., CYLINDER HEAD.....	E-9-9	HOSE B, PRESSURE REGULATOR.....	E-18-10-19
GASKET, EAC VALVE.....	E-15-5	HOSE COMP. B, FUEL.....	E-14-12
GASKET, EX. PIPE.....	E-6-4	HOSE COMP., FUEL.....	E-14-10
GASKET, FR. INJECTOR BASE.....	E-14-17	HOSE COMP., FUEL JOINT.....	E-14-11
GASKET, INTAKE MANIFOLD.....	E-14-20	HOUSING ASSY., L. INNER.....	FOP-3-2
GASKET, INTAKE MANIFOLD.....	E-14-10-1	HOUSING ASSY., L. INNER.....	FOP-3-2-2
GASKET, L. EX. MANIFOLD.....	E-4-5	HOUSING ASSY., R. INNER.....	FOP-3-1-2
GASKET, MOUNT CASE.....	E-6-10-25	HOUSING ASSY., R. INNER.....	FOP-3-2-3
GASKET, R. EX. MANIFOLD.....	E-4-3	HOUSING COMP., REMOTE CONTROL BOX.....	FOP-3-12
GASKET, RR. INJECTOR BASE.....	E-14-19	HOUSING COMP., REMOTE CONTROL BOX (DUAL).....	FOP-3-2-13
GASKET, THROTTLE BODY.....	E-15-2	HOUSING, FR.....	FOP-3-3-12
GAUGE COMP., OIL LEVEL.....	E-3-15	HOUSING, IMPELLER.....	F-4-2
GEAR ASSY., INTERNAL.....	E-21-18	HOUSING, IMPELLER.....	FOP-2-4
GEAR ASSY., PLANETARY.....	E-21-4	HOUSING, LEAD.....	FOP-3-13
GEAR ASSY., SHIFT.....	FOP-3-3-24	HOUSING, LEAD.....	FOP-3-2-14
GEAR COMP., BEVEL(FORWARD) (24T).....	F-5-8	HOUSING, LOWER CENTER MOUNTING.....	F-10-17
GEAR COMP., BEVEL(REVERSE)(24T).....	F-5-1-9	HOUSING, LOWER CENTER MOUNTING.....	F-10-17
GEAR, BEVEL(FORWARD)(24T).....	F-5-1-8	HOUSING, LOWER MOUNTING.....	F-3-20-21
GEAR, BEVEL(REVERSE)(24T).....	F-5-9	HOUSING, RR.....	FOP-3-3-13
GEAR, DRIVE.....	FOP-3-3-25	HOUSING, UPPER MOUNTING.....	F-10-14
GEAR, PINION.....	F-4-16	HOUSING, WATER PUMP.....	F-4-6
GEAR, PINION(COUNTER ROTATION).....	F-4-16	<I>	
GENERATOR ASSY., A.C.....	E-19-14	IDLER B, TIMING BELT.....	E-13-15
GRIP.....	FOP-3-3-5	IDLER, TIMING BELT(KOYO SEIKO).....	E-13-12

IMPELLER, PUMP	F-4-1	NUT, 6MM	FOP-3-3-56
IMPELLER, PUMP	FOP-2-3	NUT, CASTLE, 18MM	F-5-14
INJECTOR ASSY., FUEL	E-14-1	NUT, CASTLE, 18MM	F-5-1-14
INSULATOR	E-18-33	NUT, FLANGE CAP, 10MM	E-3-10-16
INSULATOR COMP.	E-18-32	NUT, FLANGE, 10MM	F-10-52
<J>		NUT, FLANGE, 12MM	F-10-50
JOINT ASSY (INLET)	F-6-2	NUT, FLANGE, 5MM	E-14-10-17
JOINT ASSY (OUTLET)	F-6-3	NUT, FLANGE, 5MM	FOP-5-16
JOINT ASSY., OIL PIPE	E-3-12	NUT, FLANGE, 5MM	FOP-5-1-16
JOINT SET	E-18-6	NUT, FLANGE, 5MM	FOP-5-2-16
JOINT, DRIVE	F-11-16	NUT, FLANGE, 5MM	FOP-5-3-19
JOINT, FUEL FEED HOSE	E-18-10-6	NUT, FLANGE, 5MM	FOP-5-3-19
JOINT, FUEL PIPE	E-14-9	NUT, FLANGE, 5MM	FOP-5-3-19
JOINT, FUEL PIPE	E-18-42	NUT, FLANGE, 5MM	FOP-5-4-15
JOINT, FUEL RETURN	E-18-10-17	NUT, FLANGE, 6MM	F-2-31
JOINT, FUEL TUBE	F-13-8	NUT, FLANGE, 8MM	E-14-30
JOINT, THREE WAY	E-18-10-11	NUT, FLANGE, 8MM	E-14-10-16
JOINT, WATER HOSE	F-3-20-2	NUT, FLANGE, 8MM	E-19-25
<K>		NUT, HEX, 12MM	F-10-74
KEY, 4.5X24	E-13-28	NUT, HEX, 16MM	F-3-20-42
KEY, SPECIAL	E-13-29	NUT, HEX, 16MM	FOP-3-3-57
KEY, WOODRUFF	F-4-23	NUT, HEX, 16MM	FOP-5-3-20
KEY, WOODRUFF	FOP-2-10	NUT, HEX, 16MM	FOP-5-4-16
KIT, CABLE(NMEA)(6FT)	FOP-7-1	NUT, HEX, 18MM	F-4-20
<L>		NUT, HEX, 20MM	F-2-32
LABEL, FUSE & OIL CAUTION(E)	F-12-1	NUT, HEX, 4MM	F-10-75
LABEL, SIGP	FOP-3-3-47	NUT, HEX, 5MM	F-10-73
LABEL, WARNING OPERATOR	F-12-10	NUT, HEX, 5MM	FOP-3-28
LAMP ASSY., INDICATION	FOP-3-3-40	NUT, HEX, 5MM	FOP-3-2-32
LAMP ASSY., INDICATION(4-LED)	FOP-5-3-14	NUT, HEX, 5MM	FOP-3-2-33
LAMP ASSY., INDICATION(4-LED)	FOP-5-4-10	NUT, HEX, 6MM	E-19-27
LEVER SET	E-21-17	NUT, HEX, 6MM	FOP-3-1-25
LEVER, COVER LOCK FR.	F-3-20-26	NUT, LOCK, 68MM	F-4-19
LEVER, COVER LOCK L	F-3-20-32	NUT, PULLEY LOCK	E-19-7
LEVER, COVER LOCK R	F-3-20-30	NUT, SELF-LOCK(3/8-24UNF)	F-10-53
LEVER, FREE THROTTLE	FOP-3-3-29	NUT, SELF-LOCK(7/8-14UNF)	F-10-51
LEVER, HAND	FOP-3-3-3	NUT, SELF-LOCK, 10MM	F-3-21
LINER, PUMP	F-4-3	NUT, SELF-LOCK, 12MM	F-3-22
LINER, PUMP	FOP-2-5	NUT, SELF-LOCK, 14MM	F-3-20-43
LINER, SWIVEL CASE	F-10-20	NUT, SELF-LOCK, 5MM	F-3-20
LOW PERMEATION HOSE L=1600	F-6-7	NUT, SELF-LOCK, 6MM	F-3-19
LOW PERMEATION HOSE L=700	F-6-6	NUT, SELF-LOCK, 6MM	F-8-9
<M>		NUT, SELF-LOCK, 6MM	F-10-49
MANIFOLD COMP., INLET	E-14-10-3	NUT, TAPPET ADJUSTING	E-9-10-22
MANIFOLD COMP., L. EX	E-4-4	NUT, TAPPET ADJUSTING	E-9-10-23
MANIFOLD COMP., R. EX	E-4-2	NUT, WATER MOUTH	F-3-20-1
MARK, EMBLEM	FOP-3-3-46	NUT-WASHER, 5MM	E-19-26
MARK, EMERGENCY STOP(US)	FOP-3-3-44	NUT-WASHER, 6MM	F-7-10-19
MARK, EMERGENCY STOP(US)	FOP-3-3-45	NUT-WASHER, 8MM	F-7-10-18
MARK, FAST IDLE	FOP-3-3-43	<O>	
MARK, FLUSH MOUNT	FOP-3-1-19	OIL SEAL	F-11-35
MARK, FR. EMBLEM	F-12-9	OIL SEAL, 14X26X6	F-2-42
MARK, FR.(BFT200)	F-12-6	OIL SEAL, 31X46X7(NOK)	E-5-18
MARK, FR.(BFT225)	F-12-7	OIL SEAL, 39.5X52X6(ARAI)	F-10-69
MARK, FR.(BFT250)	F-12-8	OIL SEAL, 39X53X8(NOK)	E-9-16
MARK, HANDLE FLUSH MOUNT	FOP-3-1-18	OIL SEAL, 41X66X8	E-3-41
MARK, REMOTE CONTROL(DUAL)	FOP-3-2-23	OIL SEAL, 46X60X9	E-5-17
MARK, REMOTE CONTROL(SINGLE)	FOP-3-20	OIL SEAL, 80X98X10(ARAI)	E-3-42
MARK, RR.(BFT200)	F-12-2	ORIFICE ASSY., OIL CONTROL	E-3-10
MARK, RR.(BFT225)	F-12-3	O-RING	E-14-10-9
MARK, RR.(BFT250)	F-12-4	O-RING	E-15-19
MARK, SIDE STRIPE	F-12-5	O-RING	E-18-13
MESH, FUEL FILTER	E-14-4	O-RING	E-18-14
METAL COMP., ANODE	F-3-9	O-RING	E-18-15
METAL KIT, ANODE	F-10-1	O-RING	E-18-16
METAL, ANODE	E-3-4	O-RING	E-18-17
METAL, ANODE	E-3-5	O-RING	E-18-18
METAL, ANODE	E-4-1	O-RING	E-18-19
METAL, ANODE	E-6-10-1	O-RING	E-18-1-1
METER LEAD WIRE	FOP-4-3	O-RING	E-18-1-11
MOTION COMP., LOST	E-9-10	O-RING	F-4-29
MOTOR ASSY., POWER TILT	F-11-5	O-RING	FOP-17-7
MOTOR ASSY., STARTER	E-21-1	O-RING SET, 3.5X31.7	F-11-43
MOUNT COMP., LOWER RUBBER	F-3-20-22	O-RING, 1.68X7.25	F-11-39
MOUNT COMP., UPPER RUBBER	F-10-15	O-RING, 1.8X69.6	F-11-37
<N>		O-RING, 1.9X10	F-3-20-55
NIPPLE, GREASE	F-10-68	O-RING, 1.9X11	F-11-40
NIPPLE, SENSOR	F-10-11	O-RING, 121X3.1	F-5-30
NIPPLE, SENSOR	F-10-12	O-RING, 121X3.1	F-5-1-32
NUT	FOP-5-17	O-RING, 121X3.1	FOP-17-8
NUT	FOP-5-1-17	O-RING, 13X1.5(ARAI)	E-3-48
NUT	FOP-5-2-17	O-RING, 15X1.9	E-3-50
NUT, 5MM	FOP-3-3-58	O-RING, 16.3X3.5	E-3-47

O-RING, 16MM	E-6-10-45	PIN, SPRING, 6X22	F-3-20-48
O-RING, 18.1X3.6	E-3-10-17	PIN, UPPER CYLINDER	F-11-26
O-RING, 18.3X3.5	E-3-45	PIN, VERTICAL SHAFT	E-13-19
O-RING, 2.0X70.5	F-11-36	PIPE COMP., L. EX.	E-6-5
O-RING, 20.6X2.6	E-5-19	PIPE COMP., L. FUEL	E-14-5
O-RING, 23.5X2	E-6-10-48	PIPE COMP., R. EX.	E-6-3
O-RING, 25X2.4(NOK)	E-3-49	PIPE, R. FUEL	E-14-3
O-RING, 26.2X2.4(NOK)	E-3-46	PISTON	E-7-2
O-RING, 26.9X2.4(NOK)	F-2-44	PISTON COMP., FREE	F-11-22
O-RING, 28.3X2.4(NOK)	E-3-10-18	PISTON(0.25)	E-7-2
O-RING, 3.5X35.7	F-11-41	PIVOT, SHIFT	F-2-14
O-RING, 3.5X38.7	F-11-38	PIVOT, THROTTLE	F-2-17
O-RING, 3.5X41.7	F-11-42	PLATE	E-18-10
O-RING, 31.5X2.4(ARAI)	E-4-24	PLATE	E-18-1-12
O-RING, 33.5X2	E-6-10-47	PLATE ASSY.	FOP-3-3-2
O-RING, 48.5X2.4	E-9-17	PLATE SET, TRANSOM(5.5MM FLAT)	FOP-14-2
O-RING, 49.4X3.1	E-6-10-46	PLATE SET, TRIM ADJUST (15mmTAPER)	FOP-14-1
O-RING, 59.4X3.1	E-21-22	PLATE, CABLE CLAMP	FOP-3-10
O-RING, 6.9X1.45	F-3-26	PLATE, CABLE CLAMP	FOP-3-2-11
O-RING, 6.9X1.45	FOP-17-6	PLATE, CRANK PULSER	E-13-2
O-RING, 65.4X2.4	F-4-32	PLATE, DWELL	FOP-3-14
O-RING, 65.4X2.4	FOP-2-13	PLATE, DWELL	FOP-3-1-10
O-RING, 66.4X3.1	E-4-22	PLATE, DWELL	FOP-3-2-15
O-RING, 7.45X3.61(NOK)	E-14-34	PLATE, HANDLE	FOP-3-9
O-RING, 7.47X3.6	E-14-33	PLATE, HANDLE	FOP-3-2-10
O-RING, 7.8X1.9(ARAI)	E-14-32	PLATE, L. TIMING BELT COVER	E-13-10-4
O-RING, 7.8X1.9(ARAI)	E-18-53	PLATE, LOCK	F-2-15
O-RING, 8.8X1.9	E-3-43	PLATE, LOCK	F-2-18
O-RING, 8.8X2.4	E-3-11	PLATE, R. TIMING BELT COVER	E-13-10-5
O-RING, 9.5X1.9	E-3-44	PLATE, REMOTE CONTROL CABLE	F-2-2
O-RING, 9.5X1.9	E-4-23	PLATE, RUBBER SETTING	F-3-1
O-RING, PRESSURE REGULATOR	E-14-7	PLATE, SHIFT	F-5-7
O-RING, TIMING BELT TENSIONER BASE	E-13-11	PLATE, SHIFT	F-5-1-7
O-RING, WATER PUMP	F-4-30	PLATE, STARTER CABLE	F-7-10-8
O-RING, WATER PUMP	FOP-2-11	PLATE, SWITCH	FOP-3-3-36
O-RING, WATER PUMP HOUSING	F-4-31	PLATE, WATER TUBE	E-6-7
O-RING, WATER PUMP HOUSING	FOP-2-12	PLATE, WINKER BUZZER	FOP-3-3-41
<P>		PLATE, WINKER BUZZER	FOP-5-3-15
PACKING	F-11-45	PLATE, WINKER BUZZER	FOP-5-4-11
PACKING, DUAL	FOP-3-2-18	PLUG, FUEL TUBE	E-18-1-13
PACKING, FLASH VALVE	E-6-10-18	PLUG, INNER CONNECTOR	FOP-3-3-32
PACKING, HEAD COVER	E-1-2	PLUG, INNER CONNECTOR	FOP-5-6
PACKING, INTAKE MANIFOLD UP	E-14-10-5	PLUG, INNER CONNECTOR	FOP-5-1-6
PACKING, OIL HOLE	E-3-9	PLUG, INNER CONNECTOR	FOP-5-2-6
PACKING, OIL LEVEL GAUGE	E-3-17	PLUG, INNER CONNECTOR	FOP-5-3-7
PACKING, OIL PAN	E-6-2	PLUG, INNER CONNECTOR	FOP-5-4-4
PACKING, OIL PUMP BODY	E-5-2	PLUG, OUTER CONNECTOR	FOP-3-3-33
PACKING, RELIEF VALVE	E-6-10-17	PLUG, OUTER CONNECTOR	FOP-5-7
PACKING, RELIEF VALVE COVER	E-6-10-16	PLUG, OUTER CONNECTOR	FOP-5-1-7
PACKING, SINGLE	FOP-3-17	PLUG, OUTER CONNECTOR	FOP-5-2-7
PACKING, THROTTLE BODY	E-14-10-2	PLUG, OUTER CONNECTOR	FOP-5-3-8
PACKING, WATER JACKET COVER	E-6-10-22	PLUG, OUTER CONNECTOR	FOP-5-4-5
PAN ASSY., OIL	E-6-1	PLUG, SPARK(IZFR6K-11E)(NGK)	E-20-3
PANEL ASSY., CONTROL(SINGLE)	FOP-5-2	PLUG, SPARK(ZFR6K-11E)(NGK)	E-20-3
PANEL ASSY., CONTROL(TRIPLE)	FOP-5-2-2	PORT, IDLE EXHAUST	F-3-20-14
PANEL ASSY., CONTROL(TWIN)	FOP-5-1-2	PRIMER BULB	F-6-4
PANEL ASSY., INDICATOR(4-LED)	FOP-5-3-13	PRIMER BULB ASSY	F-6-1
PANEL ASSY., SWITCH	FOP-5-3-3	PROPELLER COMP., THREE BLADES (14×19) (C/R)	FOP-15-1
PANEL KIT, SWITCH(4-LED)	FOP-5-4-1	PROPELLER COMP., THREE BLADES (14×19) (SUS)	FOP-15-1
PANEL KIT, SWITCH(B)(4-LED)	FOP-5-3-1	PROPELLER COMP., THREE BLADES (14×21) (C/R)	FOP-15-1
PANEL KIT, SWITCH(SINGLE)	FOP-5-1	PROPELLER COMP., THREE BLADES (14×21) (SUS)	FOP-15-1
PANEL KIT, SWITCH(TRIPLE)	FOP-5-2-1	PROPELLER COMP., THREE BLADES (14×25) (SUS)	FOP-15-1
PANEL KIT, SWITCH(TWIN)	FOP-5-1-1	PROPELLER COMP., THREE BLADES (14-1/2×15) (C/R)	FOP-15-1
PANEL, BACK	FOP-3-3-14	PROPELLER COMP., THREE BLADES (14-1/2×15) (SUS)	FOP-15-1
PANEL, CONTROL	FOP-5-3-4	PROPELLER COMP., THREE BLADES (14-1/2×21) (AL)	FOP-15-1
PANEL, CONTROL	FOP-5-3-5	PROPELLER COMP., THREE BLADES (14-1/2×23) (C/R)	FOP-15-1
PANEL, CONTROL	FOP-5-4-2	PROPELLER COMP., THREE BLADES (14-1/2×25) (C/R)	FOP-15-1
PANEL, CONTROL(SINGLE)	FOP-5-3	PROPELLER COMP., THREE BLADES (14-1/2×25) (C/R)	FOP-15-1
PANEL, CONTROL(TRIPLE)	FOP-5-2-3	PROPELLER COMP., THREE BLADES (14-1/2×27) (C/R)	FOP-15-1
PANEL, CONTROL(TWIN)	FOP-5-1-3	PROPELLER COMP., THREE BLADES (14-1/2×27) (C/R)	FOP-15-1
PIN B, DOWEL, 10X16	E-5-21	PROPELLER COMP., THREE BLADES (14-1/4×17) (C/R)	FOP-15-1
PIN B, DOWEL, 10X16	E-6-10-51	PROPELLER COMP., THREE BLADES (14-1/4×17) (SUS)	FOP-15-1
PIN B, DOWEL, 6X10	E-9-18	PROPELLER COMP., THREE BLADES (14-1/4×23) (AL)	FOP-15-1
PIN, LINK	F-2-40	PROPELLER COMP., THREE BLADES (14-1/4×23) (SUS)	FOP-15-1
PIN, LOCK SPRING	F-3-20-49	PROPELLER COMP., THREE BLADES (14-3/4×19) (AL)	FOP-15-1
PIN, PISTON	E-7-3	PROPELLER COMP., THREE BLADES (14-3/4×23)	FOP-15-1
PIN, SHIFTER, 8X50	F-5-2	PROPELLER COMP., THREE BLADES (14-3/4×23) (C/R)	FOP-15-1
PIN, SHIFTER, 8X50	F-5-1-2	PROPELLER COMP., THREE BLADES (15×17) (AL)	FOP-15-1
PIN, SNAP, 6MM	F-2-39	PROPELLER COMP., THREE BLADES (15×21)	FOP-15-1
PIN, SPLIT, 4.0	F-5-22	PROPELLER COMP., THREE BLADES (15×21) (C/R)	FOP-15-1
PIN, SPLIT, 4.0	F-5-1-23	PROPELLER COMP., THREE BLADES (15-1/2×13) (AL)	FOP-15-1
PIN, SPLIT, 4.0	FOP-17-2	PROPELLER COMP., THREE BLADES (15-1/2×17)	FOP-15-1
PIN, SPRING, 3X20	F-10-76	PROPELLER COMP., THREE BLADES (15-1/2×17) (C/R)	FOP-15-1

PROPELLER COMP., THREE BLADES (15-1/4×15) (AL)	FOP-15-1	SCREW, 6X90	FOP-3-3-53
PROPELLER COMP., THREE BLADES (15-1/4×19)	FOP-15-1	SCREW, FLAT, 5X55	F-3-12
PROPELLER COMP., THREE BLADES (15-1/4×19) (C/R)	FOP-15-1	SCREW, FLAT, 6X16	E-5-20
PROPELLER COMP., THREE BLADES (15-3/4×15)	FOP-15-1	SCREW, PAN	E-18-21
PROPELLER COMP., THREE BLADES (15-3/4×15) (C/R)	FOP-15-1	SCREW, PAN, 4X10	FOP-3-25
PULLER, MINI FUSE	F-7-20-4	SCREW, PAN, 4X10	FOP-3-2-28
PULLEY	E-19-6	SCREW, PAN, 4X14	F-10-71
PULLEY COMP., L. TIMING BELT DRIVEN	E-13-5	SCREW, PAN, 5X10	FOP-3-22
PULLEY COMP., R. TIMING BELT DRIVEN	E-13-4	SCREW, PAN, 5X10	FOP-3-2-25
PULLEY, CRANKSHAFT	E-13-3	SCREW, PAN, 5X12	E-18-11
PULLEY, TIMING BELT DRIVE	E-13-1	SCREW, PAN, 5X16	E-3-51
PUMP ASSY.	F-11-14	SCREW, PAN, 5X16	E-6-10-50
PUMP ASSY., FUEL	E-18-27	SCREW, PAN, 5X16	FOP-3-21
PUMP ASSY., OIL	E-5-1	SCREW, PAN, 5X16	FOP-3-1-20
PUMP KIT, IMPELLER	FOP-2-1	SCREW, PAN, 5X16	FOP-3-2-24
PUMP KIT, IMPELLER	FOP-2-2	SCREW, PAN, 5X18	FOP-3-24
PUMP UNIT SET A, FUEL	E-18-7	SCREW, PAN, 5X18	FOP-3-2-27
PUMP UNIT SET B, FUEL	E-18-9	SCREW, PAN, 5X20	E-3-52
PUMP UNIT, FUEL	E-18-41	SCREW, PAN, 5X20	F-10-72
<R>		SCREW, PAN, 5X20	FOP-3-23
RECEIVER, THRUST	F-10-31	SCREW, PAN, 5X20	FOP-3-2-26
RECTIFIER ASSY.	E-19-19	SCREW, PAN, 5X20	FOP-3-1-22
REGULATOR ASSY.	E-19-20	SCREW, PAN, 5X30	FOP-3-1-22
REGULATOR ASSY., PRESSURE	E-14-6	SCREW, PAN, 5X40	FOP-3-27
RELAY ASSY., FUEL PUMP(DENSO)	F-7-20-5	SCREW, PAN, 5X40	FOP-3-2-30
RELAY ASSY., POWER TILT	F-7-10-10	SCREW, PAN, 5X40	FOP-5-15
RELAY ASSY., POWER(12V-20A)	F-7-20-6	SCREW, PAN, 5X40	FOP-5-1-15
RETAINER(BLUE GREEN)(TOKAI)	E-14-22	SCREW, PAN, 5X40	FOP-5-2-15
RETAINER, SPRING	E-7-12	SCREW, PAN, 5X40	FOP-5-3-18
RETAINER, VALVE SPRING	E-9-10-17	SCREW, PAN, 5X40	FOP-5-3-18
RING	E-18-34	SCREW, PAN, 5X40	FOP-5-4-14
RING SET, PISTON(0.25)	E-7-1	SCREW, PAN, 5X55	FOP-3-2-31
RING SET, PISTON(STD.)	E-7-1	SCREW, PAN, 5X8	E-21-21
RING, BACK UP	F-11-19	SCREW, PAN, 6X18	E-4-25
RING, CROSS PIN	F-5-3	SCREW, PAN, 6X18	FOP-3-26
RING, CROSS PIN	F-5-1-3	SCREW, PAN, 6X18	FOP-3-2-29
RING, INNER(15X20X23)	F-2-41	SCREW, PAN, 6X22	E-21-8
RING, SETTING(39)	F-5-21	SCREW, PAN, 6X35	FOP-3-1-23
RING, STOPPER	F-2-9	SCREW, PAN, 6X8	F-10-47
RING, WATER TUBE SEAL	F-4-8	SCREW, PAN, 6X8	F-11-33
RING, WATER TUBE SEAL	FOP-2-8	SCREW, TAPPET ADJUSTING	E-9-10-13
ROD COMP. A, SHIFT(L)	F-4-11	SCREW, TAPPET ADJUSTING	E-9-10-14
ROD COMP. A, SHIFT(XL)	F-4-11	SCREW, TAPPING, 4X25	FOP-7-6
ROD COMP. A, SHIFT(XXL)	F-4-11	SCREW, TAPPING, 6X30	FOP-3-1-24
ROD COMP., CONNECTING	E-7-6	SCREW, TRUSS, 4X12	FOP-3-1-21
ROD COMP., LINK(MECH)	F-2-12	SCREW, WASHER	E-18-22
ROD COMP., PISTON	F-11-21	SCREW, WAVE WASHER	E-19-12
ROD COMP., PISTON(B)	F-11-15	SCREW, WAVE WASHER	E-19-13
ROD COMP., SHIFT	F-4-9	SCREW-WASHER	E-18-20
ROD COMP., SHIFT	F-4-9	SCREW-WASHER	E-19-11
ROD KIT, STEERING	F-10-2	SCREW-WASHER, 5X15	F-7-20-8
ROLLER	FOP-3-3-69	SEAL A, UNDER CASE	F-3-20-10
ROLLER, 3X13.8	F-5-28	SEAL A, VALVE STEM(NOK)	E-9-4
ROLLER, 3X13.8	F-5-1-30	SEAL B, EX. GUIDE	E-6-10-5
ROLLER, 5X8	E-5-25	SEAL B, UNDER CASE	F-3-20-11
ROLLER, DRIVE GEAR CAM	FOP-3-3-68	SEAL B, VALVE STEM(NOK)	E-9-6
ROLLER, FREE THROTTLE	FOP-3-3-72	SEAL, EXHAUST GUIDE	E-6-10-4
ROLLER, HOOK	F-8-4	SEAL, RUBBER	FOP-3-3-20
ROTOR ASSY.	E-19-15	SEAL, SPARK PLUG TUBE(NOK)	E-1-4
ROTOR COMP.	E-21-2	SEAL, WATER	F-11-44
ROTOR, OIL PUMP INNER	E-5-5	SEAL, WATER(14X26X8)	F-2-43
ROTOR, OIL PUMP OUTER	E-5-6	SEAL, WATER, 12X21X6	F-4-28
RUBBER C, STAND STOPPER	F-3-20-54	SEAL, WATER, 12X21X6	FOP-17-5
RUBBER, DRAIN PLUG	F-3-20-19	SEAL, WATER, 22X35X7	E-6-10-44
RUBBER, FR. CARRIER CUSHION	F-3-20-24	SEAL, WATER, 26X42X7	F-4-27
RUBBER, FUEL PUMP	E-18-30	SEAL, WATER, 26X42X7	FOP-17-3
RUBBER, MOUNT CASE SEAL	F-3-20-6	SEAL, WATER, 30X45X7	F-5-29
RUBBER, OIL PUMP	E-5-3	SEAL, WATER, 30X45X7	F-5-1-31
RUBBER, RING	E-4-11	SEAL, WATER, 30X45X7	FOP-17-4
RUBBER, STOPPER	F-3-30-2	SEAT, SPRING(250)	E-7-13
RUBBER, UPPER MOUNT STOPPER	F-10-16	SEAT, VALVE SPRING	E-9-10-18
<S>		SEAT, WATER JOINT	F-3-20-4
SCREEN, L. WATER	F-3-7	SEAT, WATER MOUTH	F-3-20-3
SCREEN, R. WATER	F-3-6	SENSOR ASSY., AIR TEMPERATURE	E-15-11
SCREW	E-19-9	SENSOR ASSY., CRANK	E-3-25
SCREW	E-19-10	SENSOR ASSY., MAP	E-14-10-6
SCREW SET	E-15-1	SENSOR ASSY., TDC	E-13-10-6
SCREW SET, DRAIN	E-18-5	SENSOR ASSY., TRIM ANGLE	F-10-7
SCREW, 4X10	FOP-3-3-51	SENSOR ASSY., WATER	E-3-23
SCREW, 4X6	FOP-3-3-49	SENSOR ASSY., WATER	E-4-14
SCREW, 5X10	FOP-3-3-50	SENSOR, KNOCK	E-3-20
SCREW, 5X12	FOP-3-3-52	SENSOR, OIL PRESSURE	E-3-24
SCREW, 5X18	FOP-3-3-48	SEPARATOR ASSY., VAPOR	E-18-37

SEPARATOR, EXTENSION	F-3-2	SPRING, SUPPORT	E-7-14
SHAFT ASSY., CLUTCH	E-21-15	SPRING, VALVE(PINK)	E-9-10-15
SHAFT ASSY., GEAR	E-21-16	STAY A, FUEL STRAINER	E-18-1-9
SHAFT COMP., EX. ROCKER ARM	E-9-10-8	STAY B, FUEL STRAINER	E-1-6
SHAFT COMP., FR. INTAKE ROCKERARM	E-9-10-7	STAY COMP. A, FUEL PUMP	E-18-35
SHAFT COMP., INTAKE ROCKER ARM	E-9-10-7	STAY COMP. B, FUEL PUMP	E-18-36
SHAFT COMP., SHIFT(A)	F-2-10	STAY COMP., HARNESS	F-3-20-13
SHAFT COMP., SHIFT(B)	F-2-16	STAY COMP., PLUG TOP COIL	E-20-2
SHAFT, LOWER CYLINDER	F-10-34	STAY, A.C. GENERATOR	E-19-16
SHAFT, PROPELLER	F-5-10	STAY, FUEL TUBE	E-18-1-3
SHAFT, PROPELLER	F-5-1-10	STAY, MAP SENSOR	E-14-10-7
SHAFT, THROTTLE ARM	F-2-5	STAY, PLATE	E-18-8
SHAFT, THROTTLE BUTTON	FOP-3-1-9	STAY, PLATE	E-18-40
SHAFT, TILTING	F-10-27	STAY, POWER TILT SWITCH	F-3-20-8
SHAFT, VERTICAL(L)	F-4-14	STOPPER SET, SLEEVE	E-21-9
SHAFT, VERTICAL(XL)	F-4-14	STOPPER, LOWER MOUNT	F-3-20-23
SHAFT, VERTICAL(XXL)	F-4-14	STOPPER, TILT	F-10-30
SHIFTER, CLUTCH	F-5-1	STRAINER ASSY., FUEL(LOW)	E-18-1-6
SHIFTER, CLUTCH	F-5-1-1	STRAINER COMP., FUEL(HIGH)	E-14-13
SHIM A, BEVEL(0.10)	F-5-18	STRAINER COMP., OIL	E-5-7
SHIM A, BEVEL(0.10)	F-5-1-18	STRAINER, FUEL	E-18-1-7
SHIM A, BEVEL(0.10)	F-5-1-19	STRAINER, FUEL PUMP	E-18-10-14
SHIM A, GEAR(0.10)	F-4-22	SUB HARNESS ASSY., POWER TRIM TILT(A)	FOP-3-2-19
SHIM A, THRUST(2.75)	F-5-19	SUB HARNESS ASSY., POWER TRIM TILT(B)	FOP-3-2-20
SHIM B, BEVEL(0.15)	F-5-18	SUB HARNESS ASSY., POWER TRIM TILT(C)	FOP-3-1-16
SHIM B, BEVEL(0.15)	F-5-1-18	SUB HARNESS ASSY., POWER TRIM-TILT (A)	FOP-3-18
SHIM B, BEVEL(0.15)	F-5-1-19	SUSPENSION, AUDIBLE PILOT	FOP-5-12
SHIM B, GEAR(0.15)	F-4-22	SUSPENSION, AUDIBLE PILOT	FOP-5-1-12
SHIM B, THRUST(2.80)	F-5-19	SUSPENSION, AUDIBLE PILOT	FOP-5-2-12
SHIM C, BEVEL(0.30)	F-5-18	SUSPENSION, COUPLER	F-7-4
SHIM C, BEVEL(0.30)	F-5-1-18	SUSPENSION, STRAINER	E-14-14
SHIM C, BEVEL(0.30)	F-5-1-19	SUSPENSION, STRAINER	E-18-1-10
SHIM C, GEAR(0.30)	F-4-22	SUSPENSION, STRAINER	E-18-10-15
SHIM C, THRUST(2.85)	F-5-19	SWITCH ASSY., COMBINATION	FOP-3-3-34
SHIM D, BEVEL(0.50)	F-5-18	SWITCH ASSY., COMBINATION	FOP-5-8
SHIM D, BEVEL(0.50)	F-5-1-18	SWITCH ASSY., COMBINATION	FOP-5-1-8
SHIM D, BEVEL(0.50)	F-5-1-19	SWITCH ASSY., COMBINATION	FOP-5-2-8
SHIM D, GEAR(0.50)	F-4-22	SWITCH ASSY., COMBINATION	FOP-5-3-9
SHIM D, THRUST(2.90)	F-5-19	SWITCH ASSY., COMBINATION	FOP-5-4-6
SHIM E, THRUST(2.95)	F-5-19	SWITCH ASSY., EMERGENCY STOP	FOP-3-3-38
SHIM F, THRUST(3.00)	F-5-19	SWITCH ASSY., EMERGENCY STOP	FOP-5-3-10
SHIM G, THRUST(3.05)	F-5-19	SWITCH ASSY., EMERGENCY STOP	FOP-5-4-7
SHIM H, THRUST(3.10)	F-5-19	SWITCH ASSY., EMERGENCY STOP (SINGLE)	FOP-5-9
SHIM I, THRUST(2.70)	F-5-19	SWITCH ASSY., EMERGENCY STOP (TRIPPLE)	FOP-5-2-9
SHIM J, THRUST(2.65)	F-5-19	SWITCH ASSY., EMERGENCY STOP (TWIN)	FOP-5-1-9
SHIM K, THRUST(2.60)	F-5-19	SWITCH ASSY., MAGNET	E-21-13
SHIM L, THRUST(2.55)	F-5-19	SWITCH ASSY., NEUTRAL	F-2-23
SHIM M, THRUST(2.50)	F-5-19	SWITCH ASSY., POWER TILT	F-3-20-7
SLIDER COMP., SHIFT	F-5-4	SWITCH ASSY., POWER TRIM-TILT	FOP-3-3-35
SLIDER COMP., SHIFT	F-5-1-4	SWITCH ASSY., POWER TRIM-TILT (A)	FOP-3-2-21
SLIDER, SHIFT	F-5-5	SWITCH ASSY., POWER TRIM-TILT (B)	FOP-3-2-22
SLIDER, SHIFT	F-5-1-5	SWITCH ASSY., POWER TRIM-TILT(A)	FOP-3-19
SLINGER, OIL	F-4-15	SWITCH ASSY., POWER TRIM-TILT?	FOP-3-1-17
SPACER(1)	FOP-3-3-10	SWITCH ASSY., TILT LIMIT	F-10-8
SPACER(2)	FOP-3-3-66	SWITCH KIT, LIGHT	FOP-5-3-2
SPACER, CABLE CLAMP	FOP-3-16	<T>	
SPACER, CABLE CLAMP	FOP-3-1-13	TAB, TRIM	F-3-8
SPACER, CABLE CLAMP	FOP-3-2-17	TACHOMETER HOUR METER	FOP-4-2
SPACER, INTAKE MANIFOLD	E-14-21	TACHOMETER HOUR METER	FOP-4-2
SPACER, L. RELIEF VALVE	E-6-10-20	TANK, OIL	F-11-27
SPACER, R. RELIEF VALVE	E-6-10-14	TENSIONER COMP., TIMING BELT	E-13-7
SPACER, THERMOSTAT COVER	E-4-12	TERMINAL, CABLE	FOP-3-15
SPACER, THROTTLE BODY	E-15-4	TERMINAL, CABLE	FOP-3-1-12
SPRING COMP., CLICK	F-2-7	TERMINAL, CABLE	FOP-3-2-16
SPRING COMP., CLICK	F-10-4	TERMINAL, CABLE	FOP-3-3-26
SPRING COMP., TIMING BELT ADJUSTING	E-13-9	TERMINATOR(F)	FOP-10-4
SPRING(1)	FOP-3-3-28	TERMINATOR(M)	FOP-10-3
SPRING(2)	FOP-3-3-8	THERMOSTAT ASSY.	E-4-10
SPRING, AIR FLOW TUBE	E-15-6	THROTTLE BODY ASSY.	E-15-3
SPRING, CLICK ASSIST	F-2-8	THROTTLE BODY ASSY.	E-15-3
SPRING, CLICK ASSIST	F-10-5	TIE, CABLE	FOP-7-4
SPRING, DETENT	FOP-3-3-30	T-JOINT	E-1-7
SPRING, EX. VALVE (YELLOW GREEN)	E-9-10-16	T-JOINT	E-18-10-22
SPRING, FLUSH VALVE	E-6-10-10	TRIM METER ASSY	FOP-4-1
SPRING, LEVER RETURN	F-3-20-25	TRIM METER ASSY	FOP-4-1
SPRING, MOTOR	F-11-9	TRIM-TILT ASSY., POWER	F-11-13
SPRING, NEUTRAL LOCK ARM	FOP-3-1-7	TUBE A, AIR VENT	E-18-10-3
SPRING, RELIEF VALVE	E-5-9	TUBE B, AIR VENT	E-18-10-4
SPRING, RELIEF VALVE	E-6-10-13	TUBE B, BREATHER	E-1-17
SPRING, ROCKER ARM	E-9-10-9	TUBE C, BREATHER	E-1-18
SPRING, SHIFT	F-5-6	TUBE COMP. A, BREATHER	E-1-16
SPRING, SHIFT	F-5-1-6	TUBE COMP. A, FUEL	E-18-1-2
SPRING, SHIFT ROD	F-4-10	TUBE COMP. B, FUEL	E-18-1-4

TUBE COMP. C, FUEL	E-18-10-9	WASHER, PLAIN, 5MM	FOP-5-4-17
TUBE COMP., AIR VENT.	E-18-10-5	WASHER, PLAIN, 6MM	F-2-36
TUBE D, FUEL	E-18-10-10	WASHER, PLAIN, 6MM	F-2-37
TUBE E, FUEL	E-18-10-12	WASHER, PLAIN, 6MM	F-2-38
TUBE F, FUEL	E-18-10-13	WASHER, PLAIN, 6MM	F-3-30-10
TUBE, 5X250(HCO-95005-50001-30M)	F-10-78	WASHER, PLAIN, 6MM	F-8-10
TUBE, 5X340(HCO-95005-50001-30M)	F-10-79	WASHER, PLAIN, 6MM	F-10-62
TUBE, 5X45(HCO-95005-50001-30M)	F-10-77	WASHER, PLAIN, 6MM	FOP-3-1-27
TUBE, CHECK VALVE	E-18-10-2	WASHER, PLAIN, 8MM	F-7-10-20
TUBE, FLUSH VALVE	E-6-10-49	WASHER, PROPELLER	F-5-17
TUBE, FUEL, 3.5X55	E-18-10-30	WASHER, PROPELLER	F-5-1-17
TUBE, L. WATER RETURN	E-4-9	WASHER, PROPELLER THRUST	F-5-15
TUBE, OIL	E-1-5	WASHER, PROPELLER THRUST	F-5-1-15
TUBE, PRESSURE REGULATOR	E-14-8	WASHER, SEALING(22MM)	E-3-8
TUBE, R. WATER RETURN	E-4-6	WASHER, SEALING(22MM)	E-3-10-3
TUBE, RELIEF	E-18-10-8	WASHER, SEALING, 22MM	E-3-7
TUBE, SPIRAL(12X14.6)	F-11-4	WASHER, SEALING, 6MM	E-18-51
TUBE, VINYL, 3.5X6.5X600	E-18-10-31	WASHER, SPRING, 5MM	FOP-5-19
TUBE, WATER	E-4-8	WASHER, SPRING, 5MM	FOP-5-1-19
TUBE, WATER	E-6-10-7	WASHER, SPRING, 5MM	FOP-5-2-19
TUBE, WATER IN	E-18-10-20	WASHER, SPRING, 5MM	FOP-5-3-22
TUBE, WATER JOINT	F-3-20-51	WASHER, SPRING, 5MM	FOP-5-3-22
TUBE, WATER OUTLET	E-18-10-21	WASHER, SPRING, 5MM	FOP-5-3-22
TUBE, WATER RELIEF	E-4-7	WASHER, SPRING, 5MM	FOP-5-4-18
TUBE, WATER(L)	F-4-7	WASHER, THRUST	E-7-10
TUBE, WATER(XL)	F-4-7	WASHER, THRUST	E-9-10-10
TUBE, WATER(XXL)	F-4-7	WASHER, THRUST BEARING	F-5-16
<V>		WASHER, THRUST BEARING	F-5-1-16
VALVE ASSY., EAC	E-15-12	WASHER, THRUST, 14MM	F-2-33
VALVE ASSY., SPOOL	E-3-18	WASHER, THRUST, 34MM	F-10-58
VALVE ASSY., SPOOL	E-3-18	WASHER, THRUST, 48X74X3	F-5-1-21
VALVE COMP., MANUAL	F-11-23	WASHER, THRUST, 85X110X2	F-5-1-20
VALVE COMP., RELIEF	E-18-10-7	WASHER, UPPER MOUNTING STOPPER	F-10-59
VALVE COMP., RESERVOIR	F-11-24	WASHER, WAVE	FOP-3-3-65
VALVE SET, FLOAT	E-18-1	WASHER, WAVE, 12MM	F-10-56
VALVE, CHECK	E-18-10-23	WASHER, WAVE, 26MM	F-10-57
VALVE, EX	E-9-10-12	WASHER, WAVE, 40MM	F-10-55
VALVE, FLASH	E-6-10-12	WIRE, LEAD(1.5X116MM)	F-10-9
VALVE, IN	E-9-10-11	WIRE, LEAD(1.5X116MM)	F-11-11
VALVE, RELIEF	E-5-8	WRENCH, BOX(10MM)	F-13-2
VALVE, RELIEF	E-6-10-11	WRENCH, EYE, 19MM	F-13-6
<W>		WRENCH, HEX., 6MM	F-13-3
WASHER	F-2-35	WRENCH, PLUG	F-13-1
WASHER B, THRUST, 14MM	F-2-34	<Y>	
WASHER(3)	FOP-3-3-60	YOKE ASSY.	F-11-8
WASHER(4)	FOP-3-3-61	YOKE COMP.	E-21-5
WASHER(5)	FOP-3-3-62		
WASHER(7)	FOP-3-3-64		
WASHER, 10MM	F-10-63		
WASHER, 30MM	F-3-20-44		
WASHER, 7/8	F-10-60		
WASHER, 8MM	FOP-3-3-63		
WASHER, AIR CLEANER COVER SETTING	F-2-1		
WASHER, DRAIN PLUG, 12MM	E-6-12		
WASHER, LOCK, 5MM	FOP-3-29		
WASHER, LOCK, 5MM	FOP-3-1-26		
WASHER, LOCK, 5MM	FOP-3-2-34		
WASHER, LOCK, 6MM	FOP-3-30		
WASHER, LOCK, 6MM	FOP-3-2-35		
WASHER, PIVOT	F-2-6		
WASHER, PLAIN	E-18-24		
WASHER, PLAIN	E-18-25		
WASHER, PLAIN, 10MM	E-6-10-39		
WASHER, PLAIN, 10MM	F-3-24		
WASHER, PLAIN, 10MM	F-10-61		
WASHER, PLAIN, 12MM	E-6-10-38		
WASHER, PLAIN, 12MM	F-3-23		
WASHER, PLAIN, 12MM	F-4-21		
WASHER, PLAIN, 12MM	F-5-20		
WASHER, PLAIN, 12MM	F-5-1-22		
WASHER, PLAIN, 12MM	F-10-64		
WASHER, PLAIN, 12MM	F-10-65		
WASHER, PLAIN, 14MM	F-3-20-45		
WASHER, PLAIN, 4MM	F-10-54		
WASHER, PLAIN, 5MM	E-14-10-18		
WASHER, PLAIN, 5MM	FOP-3-31		
WASHER, PLAIN, 5MM	FOP-3-2-36		
WASHER, PLAIN, 5MM	FOP-5-18		
WASHER, PLAIN, 5MM	FOP-5-1-18		
WASHER, PLAIN, 5MM	FOP-5-2-18		
WASHER, PLAIN, 5MM	FOP-5-3-21		
WASHER, PLAIN, 5MM	FOP-5-3-21		
WASHER, PLAIN, 5MM	FOP-5-3-21		

INDEX (Parts Number)

332-70201-0	F-6-8	HCO-95701-12120-09	E-6-10-53	HPE0-15231-000	E-5-8	HSA0-90683-003	E-20-10-11
3C7-70217-0	F-6-5	HCO-96211-0700	F-5-1-34	HPEA-13111-000	E-7-3	HSB2-90650-003	E-14-31
3C7-70220-1	F-6-2	HCO-96211-07000	F-5-32	HPF0-91302-003	F-2-44	HSC2-90649-003	FOP-5-3-23
3C7-70224-1	F-6-3	HCO-96211-12000	F-5-33	HPF4-91324-004	E-3-10-18	HSC2-90649-003	FOP-5-4-19
3FF-70200-4	F-6-1	HCO-96211-12000	F-5-1-35	HPG4-91033-013	F-5-1-25	HSD2-90705-931	F-2-39
3GF-70211-1	F-6-4	HCO-96220-50080	E-5-25	HPG6-15232-000	E-5-9	HSD4-91356-952	E-4-24
3GF-70240-1	F-6-7	HCO-9807B-5617C	E-20-3	HPG7-16741-005	E-14-7	HSDA-39794-004	F-7-20-5
3GF-70241-1	F-6-6	HCO-98200-41000	F-7-20-9	HPGK-37835-A01	E-14-10-9	HSE0-53740-953	E-18-10-24
3PU-72537-0	FOP-4-3	HCO-98200-41500	F-7-20-10	HPH1-90015-013	E-3-10-8	HSF4-89216-000	F-13-1
3PU-72571-0	FOP-4-1	HCO-98200-43000	F-7-20-11	HPH7-90715-000	E-3-40	HSK7-91566-003	E-1-19
3PU-72637-0	FOP-4-2	HCO-99003-30000	F-13-4	HPJ7-12204-305	E-9-2	HSTK-91540-003	E-18-1-17
3PV-72571-0	FOP-4-1	HCO-99003-50000	F-13-5	HPJ7-12205-305	E-9-3	HSTK-91540-003	FOP-7-5
3PV-72637-0	FOP-4-2	HCO-99006-19000	F-13-6	HPK1-91308-003	E-3-46	HVM0-16965-771	E-14-15
H121-51640-730	F-3-20-24	HCO-99008-02000	F-13-7	HPKC-91301-000	E-14-33	HVM0-16965-771	E-18-10-16
H196-47117-000	F-3-30-2	HGC1-38402-000	FOP-5-12	HPLM3-14744-000	E-9-10-13	HZB7-90691-003	E-18-52
H341-38403-672	FOP-3-3-41	HGC1-38402-000	FOP-5-1-12	HPM3-14775-000	E-9-10-18	HZC0-63515-700	F-3-20-33
H341-38403-672	FOP-5-3-15	HGC1-38402-000	FOP-5-2-12	HPM3-90206-004	E-9-10-22	HZE2-90601-000	E-6-12
H341-38403-672	FOP-5-4-11	HGHB-16075-830	F-3-20-55	HPNA-91214-014	E-3-42	HZV0-41122-000	E-13-19
H355-89217-000	F-13-2	HGHB-16163-610	E-6-10-2	HPNA-91302-003	E-14-34	HZV0-90604-000	E-18-1-16
H371-89221-000	F-13-3	HHA0-90402-000	F-2-33	HPNA-91307-003	E-3-44	HZV0-90604-000	E-18-10-28
H371-90009-015	E-6-10-26	HHE0-50310-003	E-1-11	HPNA-91307-003	E-4-23	HZV1-24210-010	F-10-4
HSY5-30530-J01	E-3-20	HHW1-90207-671	E-6-10-37	HPNA-91333-003	E-3-50	HZV1-87538-C23	F-12-10
H723-90472-000	F-4-21	HHW1-90215-671	F-4-18	HPNB-37500-003	E-3-25	HZV4-12155-A00	E-3-4
H747-16731-003	F-10-3	HK44-32606-V01	F-7-5	HPP4-90009-E01	E-18-45	HZV4-17704-010	F-13-9
H759-16911-003	E-18-10-14	HKM3-32161-003	F-10-6	HPR3-91319-003	E-3-48	HZV4-24221-010	F-10-5
H763-90681-A01	F-7-10-22	HKM3-32161-003	F-10-6	HPR7-31105-A01	E-19-1	HZV4-36182-651	FOP-3-3-39
H763-90681-A01	F-10-67	HKN5-17224-670	F-2-1	HPT0-14744-004	E-9-10-14	HZV4-36182-651	FOP-5-3-11
H800-91303-000	E-6-10-45	HKV6-90651-003	F-7-10-21	HPT0-31111-003	E-19-2	HZV4-36182-651	FOP-5-4-8
H881-90110-000	F-10-45	HMAL-91302-601	E-3-10-17	HPT0-31114-013	E-19-3	HZV4-36187-652	FOP-5-3-12
H881-90114-000	F-2-30	HMB9-83551-000	E-14-10-10	HPT0-31118-003	E-19-4	HZV4-36187-652	FOP-5-4-9
H921-17936-000	F-2-6	HMG9-35701-950	F-11-3	HPT0-31146-003	E-19-9	HZV4-90127-000	E-6-10
H921-90302-000	F-3-20-42	HMJ0-91301-003	E-14-32	HPT0-31147-003	E-19-11	HZV4-90302-000	F-3-20
H921-90302-000	FOP-3-3-57	HMJ0-91301-003	E-18-53	HPT0-31148-003	E-19-13	HZV4-90506-000	F-8-10
H921-90302-000	FOP-5-3-20	HMJ0-91308-003	F-4-29	HPT0-90005-003	E-9-11	HZV4-90511-000	F-2-37
H921-90302-000	FOP-5-4-16	HMJ0-91308-003	FOP-17-7	HPT0-90206-004	E-9-10-23	HZV4-90512-000	F-2-38
H921-90511-000	F-10-61	HMR5-16966-000	F-13-8	HPT0-90705-000	E-9-15	HZV4-90512-000	F-10-62
HP58-90428-000	F-2-34	HMT2-17193-000	E-1-7	HPT2-91005-N01	F-5-23	HZV4-90514-000	F-10-63
HCO-92101-06055-4J	F-3-27	HP01-91212-003	E-5-18	HP22-91005-N01	F-5-1-24	HZV4-90605-000	E-6-10-41
HCO-93500-04014-4J	F-10-71	HP08-12342-004	E-1-4	HPW5-90701-000	E-5-16	HZV4-90605-000	F-3-20-46
HCO-93500-05016-4J	E-3-51	HP0A-91303-A02	E-15-19	HPW5-90701-000	E-6-10-42	HZV5-12155-000	E-4-1
HCO-93500-05016-4J	E-6-10-50	HP0X-91321-003	E-3-49	HPY3-17249-000	E-15-6	HZV5-12214-000	E-3-8
HCO-93500-05020-4J	E-3-52	HP13-31141-003	E-19-6	HPY3-31215-004	E-21-4	HZV5-12214-000	E-3-10-3
HCO-93500-05020-4J	F-10-72	HP13-31147-003	E-19-10	HPY3-31218-004	E-21-6	HZV5-32823-003	FOP-3-3-32
HCO-93500-06018-4J	E-4-25	HP13-31148-003	E-19-12	HPZ1-12210-004	E-9-4	HZV5-32823-003	FOP-5-6
HCO-93600-06016-0A	E-5-20	HP5A-13115-000	E-7-4	HPZ1-12211-004	E-9-6	HZV5-32823-003	FOP-5-1-6
HCO-93901-446J0	FOP-7-6	HP5A-31201-005	E-21-2	HR70-15280-A00	E-3-13	HZV5-32823-003	FOP-5-2-6
HCO-94001-05490-0S	F-10-73	HP5A-31243-005	E-21-14	HR70-37840-A01	E-13-10-6	HZV5-32823-003	FOP-5-3-7
HCO-94001-06080-0S	E-19-27	HP5G-16614-003	E-14-4	HRCA-14632-A00	E-9-10-8	HZV5-32823-003	FOP-5-4-4
HCO-94001-12490-0S	F-10-74	HP8A-11812-A00	E-13-10-1	HRCA-17055-A01	E-14-17	HZV5-32824-003	FOP-3-3-33
HCO-94002-04490-0S	F-10-75	HP8A-13204-A01	E-7-5	HRCA-17065-A01	E-14-19	HZV5-32824-003	FOP-5-7
HCO-94301-06100	E-15-21	HP8A-14400-A01	E-13-6	HRCA-90014-A01	E-3-31	HZV5-32824-003	FOP-5-1-7
HCO-94301-08140	E-3-10-19	HP8A-14551-A01	E-13-13	HRCA-90704-A00	E-13-28	HZV5-32824-003	FOP-5-2-7
HCO-94301-10120	E-14-35	HP8A-14620-A01	E-9-10-4	HRDV-14610-J00	E-9-10-3	HZV5-32824-003	FOP-5-3-8
HCO-94302-06100	E-9-18	HP8A-14626-A00	E-9-10-5	HRDV-14631-J00	E-9-10-7	HZV5-32824-003	FOP-5-4-5
HCO-94302-06100	E-13-30	HP8A-14627-A00	E-9-10-6	HRDV-14646-J00	E-9-10-10	HZV5-36136-821	F-11-9
HCO-94302-10160	E-5-21	HP8A-14631-A00	E-9-10-7	HRDV-14765-J00	E-9-10-17	HZV5-36180-033	FOP-3-3-38
HCO-94302-10160	E-6-10-51	HP8A-14645-A01	E-9-10-9	HRGM-14781-A01	E-9-10-19	HZV5-36180-033	FOP-5-3-10
HCO-94303-05080	E-3-53	HP8A-15115-A01	E-3-9	HRJA-14711-000	E-9-10-11	HZV5-36180-033	FOP-5-4-7
HCO-94305-30203	F-10-76	HP8A-15140-A00	E-3-10	HRJA-14721-E00	E-9-10-12	HZV5-38410-003	FOP-3-3-42
HCO-94510-15000	F-5-31	HP8A-15142-A00	E-3-11	HRJA-15290-000	E-3-14	HZV5-38410-003	FOP-5-3-16
HCO-94510-15000	F-5-1-33	HP8A-15150-A00	E-3-12	HRJA-90017-003	E-13-22	HZV5-38410-003	FOP-5-4-12
HCO-94520-47000	F-4-34	HP8A-90003-A00	E-9-10-20	HRKG-13210-000	E-7-6	HZV5-40102-000	E-15-13
HCO-94540-04029	F-2-46	HP8A-90004-A00	E-9-10-21	HRKG-14761-003	E-9-10-15	HZV5-40102-000	F-3-30-1
HCO-94540-06029	FOP-3-32	HP8A-90017-A01	E-13-10-9	HRKG-91213-003	E-9-16	HZV5-41171-000	F-10-10
HCO-94540-06029	FOP-3-1-28	HP8A-90031-A01	E-13-25	HRMA-16723-E00	E-18-10-6	HZV5-41172-000	F-10-11
HCO-94540-06029	FOP-3-2-37	HP8A-90701-A00	E-9-14	HRNA-37260-A01	E-3-24	HZV5-41172-000	F-10-12
HCO-94540-10019	F-4-35	HP8A-91301-A00	E-9-17	HRNA-37830-A01	E-14-10-6	HZV5-50214-003	F-11-12
HCO-94540-12029	F-2-47	HP8A-91308-A01	E-3-45	HRTA-15400-003	E-3-10-4	HZV5-56117-821	F-11-19
HCO-94540-15029	F-11-47	HP8A-91309-A01	E-3-47	HRYE-13211-A01	E-7-7	HZV5-56118-820	F-11-20
HCO-95001-35055-40	E-18-10-30	HP8E-14762-A01	E-9-10-16	HRYE-13212-A01	E-7-7	HZV5-56513-000	F-11-25
HCO-95003-05060-31	E-18-10-31	HP8E-17105-A01	E-14-20	HRYE-13213-A01	E-7-7	HZV5-90119-000	F-10-47
HCO-95005-50045-30	F-10-77	HP8F-14820-A01	E-9-10	HRYE-13214-A01	E-7-7	HZV5-90119-000	F-11-33
HCO-95005-50250-30	F-10-78	HPC6-15233-000	E-5-10	HRYE-13215-A01	E-7-7	HZV5-90131-000	E-6-11
HCO-95005-50340-30	F-10-79	HPC6-91324-000	E-5-19	H50A-91541-003	F-2-45	HZV5-90302-003	F-2-32
HCO-95011-63000	F-3-20-54	HPD1-31138-004	E-19-5	H50A-91541-003	F-7-9	HZV5-90304-013	F-10-51
HCO-95701-06014-09	E-5-22	HPD1-31142-004	E-19-7	H50A-91541-003	F-7-10-26	HZV5-90306-003	F-3-21
HCO-95701-06018-09	E-5-23	HPD1-31145-004	E-19-8	H50X-17711-931	E-14-22	HZV5-90307-003	F-10-53
HCO-95701-08030-09	E-5-24	HPD1-90231-014	E-19-26	H50X-46392-A01	E-15-14	HZV5-90501-000	F-10-55
HCO-95701-10070-09	E-6-10-52	HPD6-90430-003	E-18-51	HSA0-90683-003	E-1-15	HZV5-90502-000	F-10-57

HZV5-90504-000.	F-10-58	HZVL-17878-900.	F-2-3	HZVL-50381-000.	F-10-27	HZW1-41102-B00	F-3-4
HZV5-90552-000.	F-10-64	HZVL-17910-003.	E-15-9	HZVL-50529-000.	F-10-30	HZW1-41109-B00	F-3-9
HZV5-90559-000.	E-6-10-38	HZVL-17932-900.	F-2-5	HZVL-56539-000.	F-10-34	HZW1-56110-701	F-11-15
HZV5-90559-000.	F-3-23	HZVL-18110-000ZA.	E-4-2	HZVL-63100-P00ZA.	F-8-1	HZW1-56113-701	F-11-16
HZV5-90559-000.	F-5-20	HZVL-18120-000ZA.	E-4-4	HZVL-63107-000.	F-8-2	HZW1-56116-701	F-11-18
HZV5-90559-000.	F-5-1-22	HZVL-18333-003.	E-6-4	HZVL-63108-000.	F-8-3	HZW1-56130-702	F-11-22
HZV5-90559-000.	F-10-65	HZVL-19241-000.	F-4-6	HZVL-63109-000.	F-8-4	HZW1-56180-701	F-11-24
HZV5-90563-000.	E-6-10-39	HZVL-19255-000.	E-4-6	HZVL-63112-000.	F-8-5	HZW1-56851-703	F-11-27
HZV5-90563-000.	F-3-24	HZVL-19257-000.	E-6-10-7	HZVL-63117-000.	F-8-6	HZW1-56860-701	F-11-28
HZV5-90651-000.	F-10-66	HZVL-19274-000.	F-3-20-4	HZVL-63119-000.	F-3-20-25	HZW1-90102-000	F-10-37
HZV5-90756-000.	F-3-25	HZVL-19313-000ZA.	E-4-12	HZVL-63210-000.	F-3-20-26	HZW1-90107-004	E-21-21
HZV5-90756-000.	F-3-25	HZVL-19315-000ZA.	E-4-13	HZVL-63212-000.	F-3-20-27	HZW1-90113-702	F-11-29
HZV5-90756-000.	F-3-20-50	HZVL-19361-000.	E-6-10-21	HZVL-63213-000.	F-3-20-28	HZW1-90114-702	F-11-30
HZV5-90756-000.	F-4-24	HZVL-19362-000.	E-6-10-22	HZVL-63214-000.	F-3-20-29	HZW1-90115-702	F-11-31
HZV5-91203-821.	F-11-35	HZVL-19366-000.	E-6-10-23	HZVL-63220-000.	F-3-20-30	HZW1-90116-702	F-11-32
HZV5-91256-003.	F-10-69	HZVL-19540-000.	E-15-10	HZVL-63222-000.	F-3-20-31	HZW1-90203-000	F-7-10-18
HZV5-91302-821.	F-11-37	HZVL-23170-000ZA.	E-6-10-24	HZVL-63230-000.	F-3-20-32	HZW1-90301-800	F-5-14
HZV5-91316-821.	F-11-38	HZVL-23172-003.	E-6-10-25	HZVL-63710-000ZA.	F-3-30-3	HZW1-90301-800	F-5-1-14
HZV7-90508-000.	F-2-35	HZVL-24612-900.	F-2-11	HZVL-63710-900ZA.	F-3-30-4	HZW1-90308-003	F-3-22
HZV7-90951-010.	F-10-68	HZVL-24613-900.	F-2-12	HZVL-63715-000ZA.	F-3-30-5	HZW1-90652-702	F-11-34
HZVJ-14111-000.	E-9-10-1	HZVL-24621-000.	F-2-17	HZVL-63715-900ZA.	F-3-30-6	HZW1-90758-B00	F-5-22
HZVJ-14211-000.	E-9-10-2	HZVL-24622-000.	F-2-18	HZVL-63721-000.	F-3-30-7	HZW1-90758-B00	F-5-1-23
HZVJ-32100-900.	F-7-1	HZVL-24627-900.	F-2-20	HZVL-82873-000.	F-3-20-34	HZW1-90758-B00	FOP-17-2
HZVJ-34751-001.	E-20-10-6	HZVL-24628-900.	F-2-21	HZVL-87117-S00.	F-12-1	HZW1-91207-013	F-11-36
HZVJ-87121-P00.	F-12-2	HZVL-30416-000.	E-20-10-1	HZVL-87121-P00.	F-12-4	HZW1-91353-703	F-11-40
HZVJ-87301-P00.	F-12-6	HZVL-30520-003.	E-20-1	HZVL-87132-P00.	F-12-5	HZW1-91354-701	F-11-41
HZVK-16400-003	E-15-3	HZVL-30525-000.	E-20-2	HZVL-87301-P00.	F-12-8	HZW1-91355-701	F-11-42
HZVK-34750-901	E-20-10-6	HZVL-31637-000.	E-19-16	HZVL-87302-P00.	F-12-9	HZW1-91357-701	F-11-43
HZVK-87121-P00	F-12-3	HZVL-32100-900.	F-7-1	HZVL-90001-000.	E-3-26	HZW1-91361-701	F-11-45
HZVK-87301-P00	F-12-7	HZVL-32101-000.	E-20-10-3	HZVL-90003-000.	E-21-19	HZW1-91557-701	F-11-46
HZVL-06328-601.	FOP-7-1	HZVL-32102-000.	E-20-10-4	HZVL-90004-000.	E-13-10-7	HZW4-90156-000	E-14-10-15
HZVL-06328-701.	FOP-7-1	HZVL-32103-000.	F-7-10-2	HZVL-90005-000.	E-21-20	HZW4-90306-003	F-10-52
HZVL-06328-800.	FOP-10-1	HZVL-32104-000.	E-1-8	HZVL-90006-003.	E-3-27	HZW4-90401-000	F-10-54
HZVL-11100-000.	E-3-10-1	HZVL-32106-000.	F-7-2	HZVL-90007-000.	E-13-10-8	HZW4-91301-003	F-3-26
HZVL-11200-000.	E-3-1	HZVL-32108-003.	F-7-3	HZVL-90008-003.	E-3-28	HZW4-91301-003	FOP-17-6
HZVL-11310-000ZA.	E-6-1	HZVL-32111-000.	E-13-18	HZVL-90009-003.	E-3-29	HZW5-06900-U00	FOP-12-1
HZVL-11381-003.	E-6-2	HZVL-32114-000.	E-1-9	HZVL-90011-000.	E-19-22	HZW5-16081-010	E-18-20
HZVL-11820-000.	E-13-10-2	HZVL-32114-000.	E-3-21	HZVL-90013-000.	E-14-10-11	HZW5-16086-000	E-18-23
HZVL-11840-000.	E-13-10-3	HZVL-32193-000.	E-3-22	HZVL-90014-000.	E-14-10-12	HZW5-16087-000	E-18-24
HZVL-11861-000.	E-13-10-4	HZVL-32410-000.	F-7-10-3	HZVL-90015-000.	E-20-5	HZW5-16715-023	E-18-31
HZVL-12000-000ZA.	E-3-3	HZVL-32421-000.	F-7-10-8	HZVL-90015-000.	E-20-10-8	HZW5-16733-000	E-18-38
HZVL-12210-000ZA.	E-9-5	HZVL-32580-900.	FOP-10-2	HZVL-90015-000.	F-7-10-14	HZW5-16915-000	E-18-10-15
HZVL-12231-000.	E-9-7	HZVL-32580-910.	FOP-10-2	HZVL-90020-000.	E-3-34	HZW5-19291-000	E-6-10-11
HZVL-12310-405ZA.	E-1-1	HZVL-32580-920.	FOP-10-2	HZVL-90023-000.	E-14-10-13	HZW5-19292-000	E-6-10-13
HZVL-12320-405ZA.	E-1-3	HZVL-32590-900.	FOP-10-5	HZVL-90028-000.	E-3-35	HZW5-19297-000	E-6-10-17
HZVL-13622-000.	E-13-2	HZVL-32590-910.	FOP-10-5	HZVL-90034-000.	E-4-17	HZW5-24810-U01	FOP-3-2
HZVL-14270-000.	E-13-5	HZVL-32800-600.	FOP-7-2	HZVL-90035-000.	E-9-13	HZW5-24810-U01	FOP-3-2-2
HZVL-14526-405ZA.	E-13-10	HZVL-32800-700.	FOP-7-2	HZVL-90037-000.	E-15-17	HZW5-24810-U11	FOP-3-2-3
HZVL-14553-003.	E-13-14	HZVL-32806-000.	FOP-10-2	HZVL-90038-000.	E-3-37	HZW5-24811-001	FOP-3-3
HZVL-15100-000ZA.	E-5-1	HZVL-32807-000.	FOP-10-4	HZVL-90039-000.	E-13-26	HZW5-24811-U01	FOP-3-2-4
HZVL-15655-000.	E-3-15	HZVL-34750-901.	E-20-10-6	HZVL-90040-000.	E-13-27	HZW5-24812-U01	FOP-3-4
HZVL-15656-000.	E-3-16	HZVL-34754-000.	E-20-10-7	HZVL-90041-000.	E-3-10-10	HZW5-24812-U01	FOP-3-2-5
HZVL-15810-003ZA.	E-3-18	HZVL-35477-000.	F-2-25	HZVL-90043-000.	E-14-28	HZW5-24813-U01	FOP-3-5
HZVL-16015-000.	E-18-3	HZVL-36104-000.	F-11-4	HZVL-90045-000.	E-6-10-33	HZW5-24813-U01	FOP-3-2-6
HZVL-16020-003.	E-18-4	HZVL-37831-000.	E-14-10-7	HZVL-90046-000.	E-6-10-34	HZW5-24813-U21	FOP-3-2-7
HZVL-16030-003.	E-18-7	HZVL-37832-000.	E-14-10-8	HZVL-90049-000.	E-6-10-35	HZW5-24814-U01	FOP-3-6
HZVL-16700-003.	E-18-27	HZVL-38550-003.	F-7-10-10	HZVL-90063-000.	E-3-10-12	HZW5-24814-U01	FOP-3-2-8
HZVL-16710-000.	E-18-30	HZVL-40100-000.	F-3-20-9	HZVL-90070-000.	E-6-8	HZW5-24815-U01	FOP-3-7
HZVL-16725-000.	E-18-35	HZVL-40102-000.	F-3-20-10	HZVL-90071-000.	E-6-9	HZW5-24816-U01	FOP-3-8
HZVL-16726-000.	E-18-36	HZVL-40103-000.	F-3-20-11	HZVL-90072-000.	E-15-18	HZW5-24816-U01	FOP-3-1-8
HZVL-16730-013.	E-18-37	HZVL-40105-900.	F-3-20-12	HZVL-90101-000.	F-8-7	HZW5-24816-U01	FOP-3-2-9
HZVL-16748-000.	E-14-8	HZVL-40110-000.	F-3-20-13	HZVL-90102-000.	F-3-20-36	HZW5-24817-U01	FOP-3-9
HZVL-16755-003.	E-14-10	HZVL-40116-000.	F-3-20-14	HZVL-90103-000.	F-3-20-38	HZW5-24817-U01	FOP-3-2-10
HZVL-16760-003.	E-18-10-7	HZVL-40151-000.	F-3-20-15	HZVL-90105-000.	F-10-42	HZW5-24818-U01	FOP-3-10
HZVL-16765-003.	E-14-12	HZVL-40154-000.	F-3-20-16	HZVL-90107-000.	F-3-20-40	HZW5-24818-U01	FOP-3-2-11
HZVL-16770-A00	E-18-10-8	HZVL-40201-000.	F-3-20-17	HZVL-90109-000.	F-3-20-41	HZW5-24819-U01	FOP-3-11
HZVL-16805-003.	E-18-1-18	HZVL-40201-900.	F-3-20-18	HZVL-90109-000.	F-3-30-8	HZW5-24819-U01	FOP-3-2-12
HZVL-16840-A00	E-18-1-2	HZVL-40209-000.	F-3-20-19	HZVL-90204-000.	E-3-10-16	HZW5-24825-U01	FOP-3-13
HZVL-16841-000.	E-18-1-3	HZVL-41100-000ZA.	F-3-10-1	HZVL-90512-000.	F-3-30-10	HZW5-24825-U01	FOP-3-2-14
HZVL-16850-A00	E-18-1-4	HZVL-41100-600ZC.	F-3-10-1	HZVL-90751-000.	F-3-20-48	HZW5-24826-U01	FOP-3-14
HZVL-16860-A00	E-18-10-9	HZVL-41100-700ZA.	F-3-10-1	HZVL-90752-000.	F-3-20-49	HZW5-24826-U01	FOP-3-1-10
HZVL-16870-A00	E-18-10-10	HZVL-41100-800ZC.	F-3-10-1	HZVL-91303-000.	E-3-43	HZW5-24826-U01	FOP-3-2-15
HZVL-16875-000.	E-18-10-11	HZVL-41100-900ZA.	F-3-10-1	HZVL-91451-000.	F-3-20-51	HZW5-24831-U01	FOP-3-15
HZVL-16880-A00	E-18-10-12	HZVL-41201-000ZA.	F-5-11	HZVL-91508-000.	E-13-10-10	HZW5-24831-U01	FOP-3-1-12
HZVL-16890-A00	E-18-10-13	HZVL-41201-000ZA.	F-5-1-12	HZVL-91551-000.	F-3-30-11	HZW5-24831-U01	FOP-3-2-16
HZVL-16900-003.	E-18-1-6	HZVL-50100-000.	F-10-13	HZW1-06411-020	F-10-1	HZW5-24832-U01	FOP-3-16
HZVL-16910-003.	E-14-13	HZVL-50100-900.	F-10-13	HZW1-19286-B00	F-3-1	HZW5-24832-U01	FOP-3-1-13
HZVL-16914-000.	E-18-1-9	HZVL-50109-000.	F-10-14	HZW1-24210-010	F-2-7	HZW5-24832-U01	FOP-3-2-17
HZVL-16916-000.	E-1-6	HZVL-50166-000.	F-10-18	HZW1-24327-000	F-2-9	HZW5-24834-U01	FOP-3-17
HZVL-16917-000.	E-14-14	HZVL-50201-000ZA.	F-10-19	HZW1-24343-B02	F-4-12	HZW5-24834-U21	FOP-3-2-18
HZVL-17110-003.	E-14-10-3	HZVL-50201-900ZA.	F-10-19	HZW1-24629-000	F-2-22	HZW5-32168-003	E-18-44
HZVL-17131-000ZA.	E-14-10-4	HZVL-50222-000.	F-10-22	HZW1-38551-000	F-7-10-11	HZW5-35370-U02	FOP-3-19
HZVL-17877-900.	F-2-2	HZVL-50311-000ZA.	F-10-26	HZW1-40107-700	F-11-10	HZW5-35370-U02	FOP-3-2-21

HZW5-35370-U12	FOP-3-2-22	HZX2-06192-C00	FOP-2-1	HZX2-90101-C00	F-2-28	HZY3-15825-003.	E-3-19
HZW5-35665-003	E-15-11	HZX2-06193-C00	FOP-2-2	HZX2-90105-C00	F-4-17	HZY3-16011-A01	E-18-1
HZW5-90002-013	E-5-14	HZX2-11911-000	E-3-10-2	HZX2-90105-C00	FOP-2-9	HZY3-16013-000.	E-18-2
HZW5-90021-U00	FOP-12-2	HZX2-13010-000	E-7-1	HZX2-90107-C00	F-3-14	HZY3-16016-003.	E-15-1
HZW5-90101-U00	FOP-3-21	HZX2-13011-000	E-7-1	HZX2-90129-000	F-10-48	HZY3-16020-000.	E-18-5
HZW5-90101-U00	FOP-3-1-20	HZX2-13101-000	E-7-2	HZX2-90301-C00	F-4-19	HZY3-16026-000.	E-18-6
HZW5-90101-U00	FOP-3-2-24	HZX2-13102-000	E-7-2	HZX2-90303-C00	F-4-20	HZY3-16031-010.	E-18-8
HZW5-90102-U00	FOP-3-22	HZX2-13310-000	E-7-8	HZX2-90504-C00	F-10-59	HZY3-16036-003.	E-18-9
HZW5-90102-U00	FOP-3-2-25	HZX2-13321-003	E-7-9	HZX2-90506-C00	F-5-15	HZY3-16041-000.	E-18-10
HZW5-90103-U01	FOP-3-23	HZX2-13322-003	E-7-9	HZX2-90506-C00	F-5-1-15	HZY3-16042-000.	E-18-11
HZW5-90103-U01	FOP-3-2-26	HZX2-13323-003	E-7-9	HZX2-90512-C00	F-5-17	HZY3-16061-000.	E-18-12
HZW5-90104-U00	FOP-3-24	HZX2-13324-003	E-7-9	HZX2-90512-C00	F-5-1-17	HZY3-16072-000.	E-18-13
HZW5-90104-U00	FOP-3-2-27	HZX2-13325-003	E-7-9	HZX2-90518-C00	F-4-22	HZY3-16073-000.	E-18-14
HZW5-90105-U01	FOP-3-25	HZX2-13326-003	E-7-9	HZX2-90519-C00	F-4-22	HZY3-16074-000.	E-18-15
HZW5-90105-U01	FOP-3-2-28	HZX2-13341-003	E-7-11	HZX2-90520-C00	F-4-22	HZY3-16075-000.	E-18-16
HZW5-90106-U00	FOP-3-26	HZX2-13342-003	E-7-11	HZX2-90521-C00	F-4-22	HZY3-16076-000.	E-18-17
HZW5-90106-U00	FOP-3-2-29	HZX2-13343-003	E-7-11	HZX2-90528-C00	F-5-18	HZY3-16077-000.	E-18-18
HZW5-90107-U00	FOP-3-27	HZX2-13344-003	E-7-11	HZX2-90528-C00	F-5-1-18	HZY3-16078-000.	E-18-19
HZW5-90107-U00	FOP-3-2-30	HZX2-13345-003	E-7-11	HZX2-90528-E00.	F-5-1-19	HZY3-16082-000.	E-18-21
HZW5-90108-U00	FOP-3-2-31	HZX2-13346-003	E-7-11	HZX2-90529-C00	F-5-18	HZY3-16083-000.	E-18-22
HZW5-90109-000	FOP-5-15	HZX2-13392-000	E-7-13	HZX2-90529-C00	F-5-1-18	HZY3-16087-000.	E-18-25
HZW5-90109-000	FOP-5-1-15	HZX2-13811-000	E-13-3	HZX2-90529-E00.	F-5-1-19	HZY3-16088-000.	E-18-26
HZW5-90109-000	FOP-5-2-15	HZX2-14111-000	E-9-10-1	HZX2-90530-C00	F-5-18	HZY3-16176-000.	E-15-2
HZW5-90109-000	FOP-5-3-18	HZX2-14211-000	E-9-10-2	HZX2-90530-C00	F-5-1-18	HZY3-16193-A00	E-18-10-1
HZW5-90109-000	FOP-5-3-18	HZX2-16404-000	E-15-4	HZX2-90530-E00.	F-5-1-19	HZY3-16196-A00	E-18-10-2
HZW5-90109-000	FOP-5-3-18	HZX2-16701-003	E-18-28	HZX2-90531-C00	F-5-18	HZY3-16197-000.	E-18-10-3
HZW5-90109-000	FOP-5-4-14	HZX2-17374-000	E-15-8	HZX2-90531-C00	F-5-1-18	HZY3-16198-A00	E-18-10-4
HZW5-90203-010	E-19-25	HZX2-19234-C00	F-4-5	HZX2-90531-E00.	F-5-1-19	HZY3-16199-A00	E-18-10-5
HZW5-90301-U00	FOP-3-28	HZX2-19234-C00	FOP-2-7	HZX2-90541-E01.	F-5-1-20	HZY3-16400-A01	E-15-3
HZW5-90301-U00	FOP-3-2-32	HZX2-19300-003	E-4-10	HZX2-90542-E01.	F-5-1-21	HZY3-16405-000.	E-15-5
HZW5-90302-003	F-10-50	HZX2-19303-003	E-4-11	HZX2-90651-C00	F-5-21	HZY3-16451-000.	E-14-2
HZW5-90302-U21	FOP-3-2-33	HZX2-19511-000	E-13-16	HZX2-90683-003	F-7-10-23	HZY3-16611-A00	E-14-3
HZW5-90501-U00	FOP-3-29	HZX2-24101-C00	F-5-1	HZX2-91051-C01	F-5-24	HZY3-16620-A00	E-14-5
HZW5-90501-U00	FOP-3-1-26	HZX2-24101-C00	F-5-1-1	HZX2-91053-C01	F-4-25	HZY3-16708-000.	E-18-29
HZW5-90501-U00	FOP-3-2-34	HZX2-30280-003	F-11-1	HZX2-91054-E01.	F-5-1-26	HZY3-16721-000.	E-18-33
HZW5-90502-U00	FOP-3-30	HZX2-31106-003	F-11-2	HZX2-91055-C01	F-5-25	HZY3-16733-000.	E-18-39
HZW5-90502-U00	FOP-3-2-35	HZX2-31110-000ZA.	E-5-11	HZX2-91055-C01	F-5-1-27	HZY3-16734-000.	E-18-40
HZW5-90503-U00	FOP-3-31	HZX2-31916-003	E-20-3	HZX2-91056-C01	F-4-26	HZY3-16735-004.	E-18-41
HZW5-90503-U00	FOP-3-2-36	HZX2-32166-003	E-18-43	HZX2-91351-C00	F-5-30	HZY3-16740-A01	E-14-6
HZW5-90509-711	F-5-16	HZX2-32414-300	F-7-10-5	HZX2-91351-C00	F-5-1-32	HZY3-16752-000.	E-18-42
HZW5-90509-711	F-5-1-16	HZX2-32415-000	F-7-10-7	HZX2-91351-C00	FOP-17-8	HZY3-16752-A00	E-14-9
HZW5-90511-U00	FOP-12-3	HZX2-32435-000	F-7-10-9	HZX2-91352-003	F-11-39	HZY3-16757-003.	E-14-11
HZW5-90512-U00	FOP-12-4	HZX2-35470-013	F-2-23	HZX2-91358-003	F-11-44	HZY3-16818-003.	E-18-1-1
HZW5-90601-030	E-18-10-25	HZX2-36120-013	F-11-5	HZX2-91358-C00	F-4-31	HZY3-16901-003.	E-18-1-7
HZW5-90602-030	E-18-10-27	HZX2-36122-003	F-11-6	HZX2-91358-C00	FOP-2-12	HZY3-16904-003.	E-18-1-8
HZW5-90652-003	E-18-10-29	HZX2-36129-003	F-11-8	HZX2-91359-C00	F-4-32	HZY3-16915-010.	E-18-1-10
HZW5-91201-003	E-5-17	HZX2-38228-003	F-7-20-3	HZX2-91359-C00	FOP-2-13	HZY3-16918-003.	E-18-1-11
HZW5-91202-003	E-6-10-44	HZX2-38552-000	F-7-10-12	HZY1-90205-000	F-3-19	HZY3-16919-003.	E-18-1-12
HZW5-91251-003	F-2-42	HZX2-41101-C01ZC.	F-3-3	HZY1-90205-000	F-8-9	HZY3-17051-A00	E-14-16
HZW7-24810-U01	FOP-3-1-2	HZX2-41102-E00ZC.	F-3-5	HZY1-90205-000	F-10-49	HZY3-17061-A00	E-14-18
HZW7-24811-U01	FOP-3-1-3	HZX2-41107-C00ZC.	F-3-8	HZY1-90650-003.	FOP-7-4	HZY3-17105-000.	E-14-10-1
HZW7-24812-U01	FOP-3-1-4	HZX2-41110-305ZB.	F-3-10	HZY2-15810-000ZA.	E-3-18	HZY3-17108-000.	E-14-21
HZW7-24813-U01	FOP-3-1-5	HZX2-41112-C00	F-4-14	HZY2-15825-000.	E-3-19	HZY3-17109-004.	E-14-10-2
HZW7-24814-U01	FOP-3-1-6	HZX2-41112-C10	F-4-14	HZY3-06532-U00	F-10-2	HZY3-17138-004.	E-14-10-5
HZW7-24815-U01	FOP-3-1-7	HZX2-41112-C20	F-4-14	HZY3-11300-C00	E-3-2	HZY3-17721-000.	E-18-10-17
HZW7-24817-U01	FOP-3-1-9	HZX2-41131-C00	F-4-16	HZY3-11871-000.	E-13-10-5	HZY3-17723-A01	E-18-10-18
HZW7-24832-U01	FOP-3-1-14	HZX2-41131-E00.	F-4-16	HZY3-11911-010.	E-9-1	HZY3-17724-010.	E-18-10-19
HZW7-24833-U01	FOP-3-1-15	HZX2-41140-C00	F-5-8	HZY3-12155-000.	E-3-5	HZY3-17738-000.	E-18-1-13
HZW7-32530-U00	FOP-3-18	HZX2-41141-E00.	F-5-1-8	HZY3-12155-000.	E-6-10-1	HZY3-17931-000.	F-2-4
HZW7-32530-U00	FOP-3-2-19	HZX2-41150-E00.	F-5-1-9	HZY3-12164-000.	E-3-6	HZY3-18115-003.	E-4-3
HZW7-32530-U10	FOP-3-2-20	HZX2-41151-C00	F-5-9	HZY3-12171-305.	E-3-7	HZY3-18125-003.	E-4-5
HZW7-32530-U20	FOP-3-1-16	HZX2-41161-C00	F-5-10	HZY3-12241-000.	E-9-8	HZY3-18141-A00ZA.	E-6-10-3
HZW7-35370-U02	FOP-3-1-17	HZX2-41161-E00.	F-5-1-10	HZY3-12251-A01	E-9-9	HZY3-18148-003.	E-6-10-4
HZW7-87703-U00	FOP-3-1-19	HZX2-41200-E00.	F-5-1-11	HZY3-12312-000.	E-1-2	HZY3-18149-A01	E-6-10-5
HZW7-90101-U01	FOP-3-1-21	HZX2-41202-C00	F-5-12	HZY3-13331-A06	E-7-10	HZY3-18151-A00ZA.	E-6-10-6
HZW7-90102-U01	FOP-3-1-22	HZX2-56000-043	F-11-13	HZY3-13391-010.	E-7-12	HZY3-18330-020.	E-6-3
HZW7-90103-U01	FOP-3-1-23	HZX2-56532-C00	F-11-26	HZY3-13398-003.	E-7-14	HZY3-18340-020.	E-6-5
HZW7-90104-U01	FOP-3-1-24	HZX2-58130-T01.	FOP-15-1	HZY3-13621-C01	E-13-1	HZY3-19210-003.	F-4-1
HZW7-90301-U01	FOP-3-1-25	HZX2-58130-T11.	FOP-15-1	HZY3-14261-C00	E-13-4	HZY3-19210-003.	FOP-2-3
HZW7-90502-U00	FOP-3-1-27	HZX2-58130-T21.	FOP-15-1	HZY3-14510-003.	E-13-7	HZY3-19221-010.	F-4-2
HZW9-19279-010	E-6-10-10	HZX2-58130-T31.	FOP-15-1	HZY3-14515-000.	E-13-8	HZY3-19221-010.	FOP-2-4
HZW9-19291-000	E-6-10-12	HZX2-58130-T41.	FOP-15-1	HZY3-14520-000.	E-13-9	HZY3-19223-000.	F-4-3
HZW9-19297-000	E-6-10-18	HZX2-58130-T51.	FOP-15-1	HZY3-14529-000.	E-13-11	HZY3-19223-000.	FOP-2-5
HZW9-32117-000	E-20-10-5	HZX2-58130-T61.	FOP-15-1	HZY3-14550-003.	E-13-12	HZY3-19231-000.	F-4-4
HZW9-90005-010	F-10-35	HZX2-58180-T01.	FOP-15-1	HZY3-14555-003.	E-13-15	HZY3-19231-000.	FOP-2-6
HZW9-90009-000	F-10-36	HZX2-58180-T11.	FOP-15-1	HZY3-15112-013.	E-5-2	HZY3-19251-000.	F-4-7
HZW9-90101-003	F-3-11	HZX2-58180-T21.	FOP-15-1	HZY3-15113-000.	E-5-3	HZY3-19251-611.	F-4-7
HZW9-90102-000	F-3-20-37	HZX2-58180-T31.	FOP-15-1	HZY3-15121-000.	E-5-4	HZY3-19251-621.	F-4-7
HZW9-90102-000	F-10-38	HZX2-58180-T41.	FOP-15-1	HZY3-15131-405.	E-5-5	HZY3-19252-000.	E-6-6
HZW9-90103-010	F-10-39	HZX2-58180-T51.	FOP-15-1	HZY3-15132-405.	E-5-6	HZY3-19253-000.	F-4-8
HZW9-90105-000	F-10-43	HZX2-58180-T61.	FOP-15-1	HZY3-15220-020.	E-5-7	HZY3-19253-000.	FOP-2-8
HZX1-90101-R00	F-8-8	HZX2-90001-000	E-5-13	HZY3-15425-010.	E-1-5	HZY3-19254-000.	E-6-7
HZX2-06125-C00	FOP-17-1	HZX2-90002-000	E-19-21	HZY3-15657-000.	E-3-17	HZY3-19256-010.	E-4-7

HZY3-19257-000.	E-4-8	HZY3-50161-610.	F-10-17	HZY3-90751-000.	F-2-40	HZY9-30419-003.	F-7-10-1
HZY3-19258-010.	E-18-10-20	HZY3-50211-000.	F-10-20	HZY3-90752-003.	F-4-23	HZY9-31207-H01.	E-21-3
HZY3-19259-000.	E-18-10-21	HZY3-50214-000.	F-10-21	HZY3-90752-003.	FOP-2-10	HZY9-31226-H01.	E-21-8
HZY3-19261-000.	E-4-9	HZY3-50301-030ZC.	F-10-25	HZY3-91001-003.	E-6-10-43	HZY9-31229-H01.	E-21-9
HZY3-19270-000.	F-3-20-1	HZY3-50388-U00.	FOP-14-1	HZY3-91056-711.	F-5-26	HZY9-31246-H01.	E-21-16
HZY3-19271-000.	F-3-20-2	HZY3-50388-U10.	FOP-14-2	HZY3-91056-711.	F-5-1-28	HZY9-35645-000.	F-3-20-8
HZY3-19272-000.	F-3-20-3	HZY3-50522-000.	F-10-28	HZY3-91057-003.	F-5-27	HZY9-38410-A01.	FOP-5-13
HZY3-19277-000ZA.	E-6-10-8	HZY3-50527-000.	F-10-29	HZY3-91057-003.	F-5-1-29	HZY9-38410-A01.	FOP-5-1-13
HZY3-19278-000.	E-6-10-9	HZY3-56100-013.	F-11-14	HZY3-91151-000.	F-5-28	HZY9-38410-A01.	FOP-5-2-13
HZY3-19289-000.	F-3-20-5	HZY3-56120-023.	F-11-21	HZY3-91151-000.	F-5-1-30	HZY9-38553-003.	E-20-4
HZY3-19294-000ZB.	E-6-10-14	HZY3-56170-013.	F-11-23	HZY3-91152-003.	F-2-41	HZY9-56115-023.	F-11-17
HZY3-19295-000.	E-6-10-15	HZY3-56516-A00.	F-10-31	HZY3-91212-003.	E-3-41	HZY9-90014-M00.	E-18-46
HZY3-19296-000.	E-6-10-16	HZY3-56518-A00.	F-10-32	HZY3-91251-C01.	F-4-27	HZY9-90026-M00.	E-9-12
HZY3-19297-000.	E-6-10-19	HZY3-56519-A00.	F-10-33	HZY3-91251-C01.	FOP-17-3	HZY9-90027-M00.	E-4-16
HZY3-19298-000ZB.	E-6-10-20	HZY3-58130-T00.	FOP-15-1	HZY3-91254-003.	F-4-28	HZY9-90042-M00.	E-14-27
HZY3-23173-010.	F-3-20-6	HZY3-58130-T10.	FOP-15-1	HZY3-91254-003.	FOP-17-5	HZY9-90054-M00.	E-3-38
HZY3-24102-000.	F-5-1-3	HZY3-58130-T20.	FOP-15-1	HZY3-91255-003.	F-2-43	HZY9-90205-M00.	E-14-30
HZY3-24102-000.	F-5-1-2	HZY3-58130-T30.	FOP-15-1	HZY3-91301-003.	E-4-22	HZY9-91503-M00.	E-15-20
HZY3-24103-000.	F-5-3	HZY3-58130-T40.	FOP-15-1	HZY3-91303-003.	E-21-22	HZY9-91503-M00.	E-20-7
HZY3-24103-000.	F-5-1-3	HZY3-58130-T50.	FOP-15-1	HZY3-91304-000.	E-6-10-46	HZY9-91503-M00.	E-20-10-12
HZY3-24113-A01.	F-5-4	HZY3-58130-V01ZA.	FOP-15-1	HZY3-91305-003.	E-6-10-47	HZY9-91503-M00.	F-7-10-25
HZY3-24113-A01.	F-5-1-4	HZY3-58130-V12ZA.	FOP-15-1	HZY3-91306-003.	E-6-10-48	HZY9-91504-M00.	E-18-54
HZY3-24122-A01.	F-5-5	HZY3-58130-V22ZA.	FOP-15-1	HZY3-91356-003.	F-4-30	HZY9-91504-M00.	F-3-20-52
HZY3-24122-A01.	F-5-1-5	HZY3-58130-V32ZA.	FOP-15-1	HZY3-91356-003.	FOP-2-11	HZZ0-90101-000.	F-3-12
HZY3-24123-000.	F-5-6	HZY3-58130-V42ZA.	FOP-15-1	HZY3-91401-A00.	E-1-16	HZZ0-90101-M00.	F-2-29
HZY3-24123-000.	F-5-1-6	HZY3-58130-V52ZA.	FOP-15-1	HZY3-91402-030.	E-1-17	HZZ0-90102-M00.	E-20-10-9
HZY3-24124-310.	F-5-7	HZY3-58180-T00.	FOP-15-1	HZY3-91403-000.	E-1-18	HZZ0-90103-M00.	E-18-115
HZY3-24124-310.	F-5-1-7	HZY3-58180-T10.	FOP-15-1	HZY3-91405-000.	E-6-10-49	HZZ0-90103-M00.	E-10-10
HZY3-24221-000.	F-2-8	HZY3-58180-T20.	FOP-15-1	HZY3-91551-000.	F-4-33	HZZ0-90103-M00.	F-7-10-15
HZY3-24310-C00.	F-4-9	HZY3-58180-T30.	FOP-15-1	HZY3-91551-000.	FOP-2-14	HZZ0-90151-M00.	E-3-10-15
HZY3-24310-E00.	F-4-9	HZY3-58180-T40.	FOP-15-1	HZY3-91556-000.	F-8-11	HZZ0-91601-M00.	F-3-20-53
HZY3-24318-000.	F-4-10	HZY3-90010-000.	E-6-10-27	HZY3-91560-000.	F-10-70	HZZ3-06240-R31.	FOP-3-1
HZY3-24320-A20.	F-4-11	HZY3-90011-000.	E-6-10-28	HZY6-06323-R00.	FOP-5-1	HZZ3-06240-R41.	FOP-3-1-1
HZY3-24610-A00.	F-2-10	HZY3-90013-000.	E-6-10-29	HZY6-06323-R10.	FOP-5-1-1	HZZ3-06240-R61.	FOP-3-2-1
HZY3-24617-000.	F-2-13	HZY3-90015-000.	E-6-10-30	HZY6-06323-R20.	FOP-5-2-1	HZZ3-06323-R23.	FOP-5-3-1
HZY3-24618-000.	F-2-14	HZY3-90031-000.	E-14-10-14	HZY6-16450-003.	E-14-1	HZZ3-06323-R33.	FOP-5-4-1
HZY3-24619-000.	F-2-15	HZY3-90044-000.	E-14-12-9	HZY6-16718-013.	E-18-32	HZZ3-06328-764.	FOP-7-1
HZY3-24620-000.	F-2-16	HZY3-90055-000.	E-19-24	HZY6-16723-003.	E-18-34	HZZ3-24800-P14.	FOP-3-3-1
HZY3-24623-000.	F-2-19	HZY3-90059-000.	E-6-10-36	HZY6-19269-000.	E-18-10-22	HZZ3-24820-R12.	FOP-3-12
HZY3-31116-000.	E-5-12	HZY3-90082-003.	E-3-10-14	HZY6-24820-000.	F-4-11	HZZ3-24820-R22.	FOP-3-2-13
HZY3-31200-003.	E-21-1	HZY3-90104-010.	F-10-41	HZY6-24320-610.	F-4-11	HZZ3-24830-R42.	FOP-3-1-11
HZY3-31216-003.	E-21-5	HZY3-90105-010.	F-3-20-39	HZY6-32340-R01.	FOP-5-2	HZZ3-32127-000.	F-7-4
HZY3-31226-003.	E-21-7	HZY3-90106-A00.	F-10-44	HZY6-32340-R11.	FOP-5-1-2	HZZ3-32341-R32.	FOP-5-3-3
HZY3-31232-003.	E-21-10	HZY3-90107-000.	F-7-10-17	HZY6-32340-R21.	FOP-5-2-2	HZZ3-32346-R22.	FOP-5-3-4
HZY3-31235-003.	E-21-11	HZY3-90111-000.	F-3-30-9	HZY6-32346-R01.	FOP-5-3	HZZ3-32346-R32.	FOP-5-4-2
HZY3-31236-003.	E-21-12	HZY3-90111-000.	F-3-30-9	HZY6-32346-R11.	FOP-5-1-3	HZZ3-32347-R02.	FOP-5-3-5
HZY3-31241-003.	E-21-13	HZY3-90117-000.	F-10-46	HZY6-32346-R21.	FOP-5-2-3	HZZ3-32800-000.	FOP-7-2
HZY3-31243-003.	E-21-15	HZY3-90120-000.	F-3-15	HZY6-32414-640.	F-7-10-6	HZZ3-32805-000.	FOP-7-3
HZY3-31250-003.	E-21-17	HZY3-90123-000.	F-5-13	HZY6-32545-003.	FOP-5-4	HZZ3-35100-R12.	FOP-3-3-34
HZY3-31251-003.	E-21-18	HZY3-90123-000.	F-5-1-13	HZY6-32545-003.	FOP-5-1-4	HZZ3-35100-R12.	FOP-5-3-9
HZY3-31630-013.	E-19-14	HZY3-90124-000.	F-3-16	HZY6-32545-003.	FOP-5-2-4	HZZ3-35100-R12.	FOP-5-4-6
HZY3-31631-003.	E-19-15	HZY3-90130-620.	F-3-17	HZY6-32606-000.	FOP-5-5	HZZ3-35645-A41.	FOP-3-3-36
HZY3-31638-003.	E-13-17	HZY3-90131-620.	F-3-18	HZY6-32606-000.	FOP-5-1-5	HZZ3-35745-743.	F-10-8
HZY3-31639-003.	E-19-17	HZY3-90205-000.	E-14-10-16	HZY6-32606-000.	FOP-5-2-5	HZZ3-37205-R03.	FOP-5-3-13
HZY3-31694-003.	E-19-18	HZY3-90302-000.	F-3-20-43	HZY6-35100-R01.	FOP-5-8	HZZ3-50223-000.	F-10-23
HZY3-31710-003.	E-19-19	HZY3-90304-000.	F-7-10-19	HZY6-35100-R01.	FOP-5-1-8	HZZ3-50224-000.	F-10-24
HZY3-31750-003.	E-19-20	HZY3-90405-000.	F-7-10-20	HZY6-35100-R01.	FOP-5-2-8	HZZ3-87701-R41.	FOP-3-1-18
HZY3-32112-000.	E-14-23	HZY3-90501-A00.	F-10-56	HZY6-36135-003.	E-18-10-23	HZZ3-87703-R02.	FOP-3-2-23
HZY3-32129-000.	E-1-10	HZY3-90503-610.	F-3-20-44	HZY6-36180-003.	FOP-5-9	HZZ3-87703-R82.	FOP-3-20
HZY3-32370-H01.	F-7-20-1	HZY3-90509-000.	F-10-60	HZY6-36180-612.	FOP-5-2-9	HZZ3-91252-003.	F-5-29
HZY3-32371-H01.	F-7-20-2	HZY3-90511-000.	F-3-20-45	HZY6-36180-712.	FOP-5-1-9	HZZ3-91252-003.	F-5-1-31
HZY3-32411-003.	F-7-10-4	HZY3-90548-000.	F-5-19	HZY6-36182-003.	FOP-5-10	HZZ3-91252-003.	FOP-17-4
HZY3-35476-010.	F-2-24	HZY3-90549-000.	F-5-19	HZY6-36182-003.	FOP-5-1-10	HZZ5-06352-M00.	FOP-5-3-2
HZY3-35640-013.	F-3-20-7	HZY3-90550-000.	F-5-19	HZY6-36182-003.	FOP-5-2-10	HZZ5-24810-D01.	FOP-3-3-2
HZY3-35660-003.	F-10-7	HZY3-90551-000.	F-5-19	HZY6-36187-003.	FOP-5-11	HZZ5-24811-D01.	FOP-3-3-3
HZY3-35673-003.	E-3-23	HZY3-90552-000.	F-5-19	HZY6-36187-003.	FOP-5-1-11	HZZ5-24812-D01.	FOP-3-3-4
HZY3-35673-003.	E-4-14	HZY3-90553-000.	F-5-19	HZY6-36187-003.	FOP-5-2-11	HZZ5-24813-D01.	FOP-3-3-5
HZY3-36123-013.	F-11-7	HZY3-90554-000.	F-5-19	HZY6-38235-004.	F-7-20-4	HZZ5-24814-D01.	FOP-3-3-6
HZY3-36550-003.	E-15-12	HZY3-90555-000.	F-5-19	HZY6-38414-003.	FOP-5-14	HZZ5-24815-D01.	FOP-3-7
HZY3-40202-621ZC.	F-3-2	HZY3-90556-000.	F-5-19	HZY6-38414-003.	FOP-5-1-14	HZZ5-24816-D01.	FOP-3-3-8
HZY3-40204-000.	F-4-13	HZY3-90557-000.	F-5-19	HZY6-38414-003.	FOP-5-2-14	HZZ5-24817-D01.	FOP-3-3-9
HZY3-40210-610.	F-3-20-20	HZY3-90558-000.	F-5-19	HZY6-39794-003.	F-7-20-6	HZZ5-24818-D01.	FOP-3-10
HZY3-40219-023.	F-10-9	HZY3-90559-000.	F-5-19	HZY6-90103-000.	F-3-13	HZZ5-24819-D01.	FOP-3-3-11
HZY3-40219-023.	F-11-11	HZY3-90560-000.	F-5-19	HZY6-90103-000.	F-10-40	HZZ5-24821-D01.	FOP-3-3-12
HZY3-41104-C01.	F-3-6	HZY3-90601-030.	E-4-19	HZY6-90135-004.	F-7-20-8	HZZ5-24822-D01.	FOP-3-3-13
HZY3-41105-C01.	F-3-7	HZY3-90601-030.	E-6-10-40	HZY6-90302-003.	FOP-5-17	HZZ5-24823-D01.	FOP-3-3-14
HZY3-41116-000.	F-4-15	HZY3-90601-030.	E-18-10-26	HZY6-90302-003.	FOP-5-1-17	HZZ5-24824-D01.	FOP-3-3-15
HZY3-50111-020.	F-3-20-21	HZY3-90602-020.	E-1-14	HZY6-90302-003.	FOP-5-2-17	HZZ5-24826-D01.	FOP-3-3-16
HZY3-50151-000.	F-10-15	HZY3-90603-020.	E-4-20	HZY9-15600-M00.	E-3-10-5	HZZ5-24827-D01.	FOP-3-3-17
HZY3-50153-000.	F-10-16	HZY3-90604-020.	E-4-21	HZY9-15631-000.	E-3-10-6	HZZ5-24828-D01.	FOP-3-3-18
HZY3-50155-000.	F-3-20-22	HZY3-90652-000.	F-3-20-47	HZY9-16896-003.	E-18-1-5	HZZ5-24828-D01.	FOP-3-3-19
HZY3-50157-010.	F-3-20-23	HZY3-90653-003.	F-7-8	HZY9-17315-M00.	E-15-7	HZZ5-24829-D01.	FOP-3-3-20
HZY3-50161-000ZD.	F-10-17	HZY3-90741-000.	E-13-29	HZY9-30419-003.	E-20-10-2	HZZ5-24831-D01.	FOP-3-3-21

HZZ5-24832-D01FOP-3-3-22
HZZ5-24833-D01FOP-3-3-23
HZZ5-24845-D01FOP-3-3-24
HZZ5-24850-D01FOP-3-3-25
HZZ5-24855-D01FOP-3-3-26
HZZ5-24875-D01FOP-3-3-27
HZZ5-24876-D01FOP-3-3-28
HZZ5-24878-D01FOP-3-3-29
HZZ5-24883-D01FOP-3-3-30
HZZ5-32530-D01FOP-3-3-31
HZZ5-32545-000.FOP-5-3-6
HZZ5-32545-000.FOP-5-4-3
HZZ5-35370-D02FOP-3-3-35
HZZ5-35701-D01FOP-3-3-37
HZZ5-37210-713.FOP-5-4-10
HZZ5-37210-763.FOP-5-3-14
HZZ5-37210-D02FOP-3-3-40
HZZ5-38414-003.FOP-5-3-17
HZZ5-38414-003.FOP-5-4-13
HZZ5-87701-D00FOP-3-3-43
HZZ5-87702-A00FOP-3-3-44
HZZ5-87702-A00FOP-3-3-45
HZZ5-87703-P01.FOP-3-3-46
HZZ5-87704-D01FOP-3-3-47
HZZ5-90011-M00E-1-12
HZZ5-90011-M00E-3-30
HZZ5-90011-M00E-13-20
HZZ5-90012-M01E-13-21
HZZ5-90013-M00E-15-15
HZZ5-90013-M00F-7-10-13
HZZ5-90014-M00E-3-10-7
HZZ5-90014-M00E-14-24
HZZ5-90014-M00E-18-47
HZZ5-90016-M00E-18-48
HZZ5-90017-M00E-3-32
HZZ5-90017-M00E-13-23
HZZ5-90017-M00E-18-49
HZZ5-90017-M00E-19-23
HZZ5-90017-M00F-2-26
HZZ5-90018-M00E-20-6
HZZ5-90018-M00F-7-20-7
HZZ5-90019-M00E-1-13
HZZ5-90019-M00E-3-33
HZZ5-90019-M00E-4-15
HZZ5-90019-M00E-14-25
HZZ5-90021-M00E-14-26
HZZ5-90021-M00E-18-50
HZZ5-90021-M00E-18-1-14
HZZ5-90021-M00F-2-27
HZZ5-90021-M00F-7-6
HZZ5-90030-M00E-3-36
HZZ5-90030-M00E-6-10-31
HZZ5-90030-M00E-13-24
HZZ5-90030-M00E-15-16
HZZ5-90032-M00E-3-10-9
HZZ5-90032-M00E-6-10-32
HZZ5-90047-M00E-3-10-11
HZZ5-90051-M00F-3-20-35
HZZ5-90055-M00E-4-18
HZZ5-90081-M00E-3-39
HZZ5-90081-M00E-3-10-13
HZZ5-90081-M00E-5-15
HZZ5-90101-D01FOP-3-3-48
HZZ5-90102-D01FOP-3-3-49
HZZ5-90103-D01FOP-3-3-50
HZZ5-90104-D01FOP-3-3-51
HZZ5-90105-M00F-7-7
HZZ5-90105-M00F-7-10-16
HZZ5-90106-D01FOP-3-3-52
HZZ5-90107-D01FOP-3-3-53
HZZ5-90108-D01FOP-3-3-54
HZZ5-90109-D01FOP-3-3-55
HZZ5-90201-M00F-2-31
HZZ5-90301-D01FOP-3-3-56
HZZ5-90301-M00E-14-10-17
HZZ5-90301-M00FOP-5-16
HZZ5-90301-M00FOP-5-1-16
HZZ5-90301-M00FOP-5-2-16
HZZ5-90301-M00FOP-5-3-19
HZZ5-90301-M00FOP-5-3-19
HZZ5-90301-M00FOP-5-3-19
HZZ5-90301-M00FOP-5-4-15
HZZ5-90302-D01FOP-3-3-58

HZZ5-90501-D01FOP-3-3-59
HZZ5-90501-M00E-14-10-18
HZZ5-90501-M00FOP-5-18
HZZ5-90501-M00FOP-5-1-18
HZZ5-90501-M00FOP-5-2-18
HZZ5-90501-M00FOP-5-3-21
HZZ5-90501-M00FOP-5-3-21
HZZ5-90501-M00FOP-5-3-21
HZZ5-90501-M00FOP-5-4-17
HZZ5-90502-D01FOP-3-3-60
HZZ5-90502-M00FOP-5-19
HZZ5-90502-M00FOP-5-1-19
HZZ5-90502-M00FOP-5-2-19
HZZ5-90502-M00FOP-5-3-22
HZZ5-90502-M00FOP-5-3-22
HZZ5-90502-M00FOP-5-3-22
HZZ5-90502-M00FOP-5-4-18
HZZ5-90503-D01FOP-3-3-61
HZZ5-90504-D01FOP-3-3-62
HZZ5-90506-D01FOP-3-3-63
HZZ5-90507-D01FOP-3-3-64
HZZ5-90508-D01FOP-3-3-65
HZZ5-90508-M00F-2-36
HZZ5-90509-D01FOP-3-3-66
HZZ5-90651-D01FOP-3-3-67
HZZ5-91151-D01FOP-3-3-68
HZZ5-91152-D01FOP-3-3-69
HZZ5-91153-D01FOP-3-3-70
HZZ5-91154-D01FOP-3-3-71
HZZ5-91156-D01FOP-3-3-72
HZZ5-91157-D01FOP-3-3-73
HZZ5-91501-000.F-7-10-24

Note

Note

Note

2019 PARTS CATALOG

BFT 200D
BFT 225D
BFT 250D
Models

OB No.002-14ZVJ-0AK 1812 US

TOHATSU CORPORATION

5-4, Azusawa 3-Chome, Itabashi-Ku
Tokyo 174-0051, Japan
Tel: +81-3-3966-3117 Fax: +81-3-3966-2951
www.tohatsu.com

